



FEATURES

- Housing depth of only 1½" – no taller than standard T-bar
- Does not intrude into usable plenum space
- Unique telescoping housing minimizes installation depth and simplifies installation
- Long-life, 60,000 hour LEDs at L80 (80% lumen maintenance) reduce life cycle maintenance costs
- Four LED color choices
- Six lumen packages ranging from 1900 to 4700 nominal lumens at up to 114 lumens per watt
- Superior color consistency to a 3-step MacAdam ellipse and 82 CRI
- Soft, uniform light distribution provides excellent vertical illumination free from harsh contrast
- Surface mount depth only 1⅞". Using an enclosing shell that combines with standard LZPT recessed fixtures, the surface mount housing can be ordered with the fixture or separately
- Five year warranty (Terms and Conditions apply)

PROJECT INFORMATION

Project Name _____

Type _____

Catalog No. _____

Date _____

CONSTRUCTION

Luminaire housing and end caps are die formed code gauge cold rolled steel. Acrylic lens (LSR) features soft curvature for an architectural appearance.

FINISH

White painted parts are treated with a five stage phosphate bonding process and finished after fabrication with a minimum 90% reflective gloss baked enamel.

CEILING COMPATIBILITY

Luminaire is available to fit most standard ceiling types. NEC-compliant T-bar clips supplied with all grid trim fixtures. See ceiling details on reverse. For hard ceilings order G trim and FK flange accessory. Assemble then support FK accessory at ceiling plane using tie wires (by others). For ⅝" wide ceiling tees order ⅝" G kit accessory to trim fixture corners. For Surface Mount order SM trim option or G trim with accessory surface mounting kit. Finished depth of surface mounted fixture is 1⅞". Wiring access for surface fixtures from back of fixture only. Not suitable for end-to-end mounting.

INSTALLATION

Unique telescoping housing is 1½" deep allowing installation in extremely shallow plenums. Housing is formed in two interlocking sections compressed narrower than the T-bar opening to simplify handling and reduce the depth required for installation to 3" required at one end of the fixture only. Once the fixture is in place in the T-bar opening the installer slides the two portions to full width. Tabbed design automatically locks the fixture to full width. An access plate is furnished with each luminaire for fast wiring access. No need to open fixture.

CERTIFICATION

All luminaires are built to UL 1598 and 2108 standards and bear appropriate CSA labels. Damp location is standard. Emergency-equipped fixtures labeled and CSA certified to UL 924 and Dry Location unless specified. Adheres to LM79, LM80, and TM21 industry standards. IC rating is standard on all models (except with thru wiring).

WARRANTY

Five year warranty (Terms and Conditions apply).

ORDERING INFORMATION

EXAMPLE LZPT22-35LWG-LSRS-EDU

LZPT 22 -		- LSR S -		-		
MODEL	COLOR TEMP	LUMEN OUTPUT	SHIELDING	REFLECTOR	DRIVER	OPTIONS
LZPT LED Zero Plenum® Troffer	30 3000K 35 3500K 40 4000K 50 5000K	VW Very Low Watt MW Medium Low Watt LW Low Watt ML Medium Lumen HL High Lumen VL Very High Lumen See Product Availability Table below.	LSR Frosted Linear Prismatic Lens	S Smooth Curve	E Fixed Output ESD Step Dimming ^{2,3,4} ED 0-10V Dimming ED1 0-10V 1% Dimming LUTH Hi-lume 1% EcoSystem LED driver with Soft-on, Fade-to-Black dimming technology ^{2,3}	GLR Fast Blow Fuse GMF Slow Blow Fuse C38890 3-Wire Flex, 90° Connector C48890 4-Wire Flex, 90° Connector C58890 5-Wire Flex, 90° Connector 4TB (4) Bulk T-bar Clips ELL14 Consult factory for emergency converter remote kit (low profile only) CP Chicago Plenum
SIZE	VOLTAGE					
22 2' x 2'	U 120V-277V 347 347V					
			CEILING TYPE			
			G Grid Lay-in SM Surface Mount ¹			

¹ LZPT may be ordered as a factory assembled surface mounted unit, or ordered as a grid "G" ceiling type and surface mounted in the field using the ZPTSMK surface mounting kit. Not suitable for continuous row mounting.

² N/A on VL lumen package.

³ Not available in 347V

⁴ Only available in HL lumen package

ACCESSORIES (ORDER SEPARATELY)

ZPTSMK22	LZPT Surface Mounting Kit (2' x 2') ¹
FK22	2' x 2' Flange Kit
ZPT4 ⅝ G	Grid Filler Kit (for use in ⅝" wide tee ceilings)

PRODUCT AVAILABILITY

Lumen Package	Nominal Lumens	Watts	Lumens Per Watt
VW	1900-2050	18	106-114
MW	2300-2500	21	110-119
LW	2600-2800	26	100-108
ML	3200-3500	31	103-113
HL	3600-3900	35	103-111
VL	4300-4700	43	100-109

Nominal lumen range represents 3000K through 5000K. Lumens vary according to color temperatures and other factors. See specific photometric test(s).

Protected by US Patents 7,234,832 B2; 7,413,323 B2; 7,390,111 B2.
Protected by China Patents ZL200610058339.2; ZL200610058340.5.
Protected by Mexico Patents 263914; 264402.
Protected by Canada Patents 2,537,985; 2,538,201.
Specifications subject to change without notice.

PHOTOMETRIC DATA

LUMINAIRE DATA

Luminaire	LZPT22-35LWG-LSRS-EU LZPT LED Zero Plenum Troffer, Recessed Architectural 2 x 2 LED with frosted linear prismed lens
Ballast	D10CC55UNVTZ-C
Ballast Factor	1.00
Lamp	LED
Fixture Lumens	2723
Watts	25.50
Mounting	Recessed
Shielding Angle	0° = 90 90° = 90
Spacing Criterion	0° = 1.24 90° = 1.51
Luminous Opening in Feet	Length: 1.94 Width: 1.90 Height: 0.00

ZONAL LUMEN SUMMARY

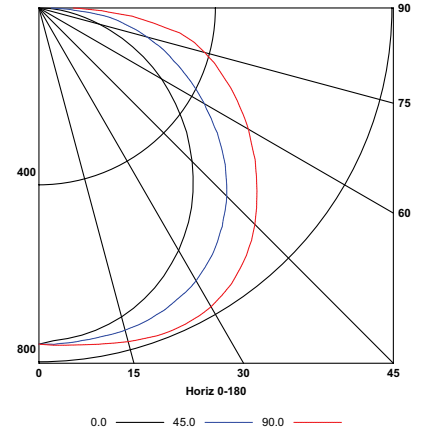
Zone	Lumens	% Lamp	% Fixt.
0-30	623	22.9	22.9
0-40	1048	38.5	38.5
0-60	1946	71.5	71.5
0-90	2723	100.0	100.0
0-180	2723	100.0	100.0

ENERGY DATA

Total Luminaire Efficiency	100.0%
Total Lumens per Watt	107
IESNA RP-1-2004 Compliance	Non-Compliant
Comparative Yearly Lighting Energy Cost per 1000 Lumens	\$2.29 based on 3000 hrs. and \$0.08 per KWH

Test LZPT22-35LWG-LSRS-EU Test Date 12/10/2015

INDOOR CANDELA PLOT



LUMINAIRE DATA

Luminaire	LZPT22-35MLG-LSRS-EU LZPT LED Zero Plenum Troffer, Recessed Architectural 2 x 2 LED with frosted linear prismed lens
Ballast	D10CC55UNVTZ-C
Ballast Factor	1.00
Lamp	LED
Fixture Lumens	3348
Watts	31.10
Mounting	Recessed
Shielding Angle	0° = 90 90° = 90
Spacing Criterion	0° = 1.24 90° = 1.51
Luminous Opening in Feet	Length: 1.94 Width: 1.90 Height: 0.00

ZONAL LUMEN SUMMARY

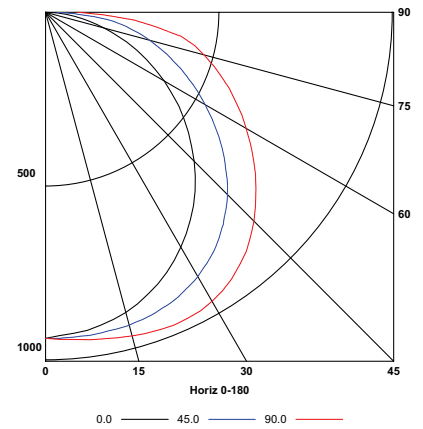
Zone	Lumens	% Lamp	% Fixt.
0-30	769	23.0	23.0
0-40	1293	38.6	38.6
0-60	2399	71.6	71.6
0-90	3348	100.0	100.0
0-180	3348	100.0	100.0

ENERGY DATA

Total Luminaire Efficiency	100.0%
Total Lumens per Watt	108
IESNA RP-1-2004 Compliance	Non-Compliant
Comparative Yearly Lighting Energy Cost per 1000 Lumens	\$2.22 based on 3000 hrs. and \$0.08 per KWH

Test LZPT22-35MLG-LSRS-EU Test Date 12/10/2015

INDOOR CANDELA PLOT



LUMINAIRE DATA

Luminaire	LZPT22-35HLG-LSRS-EU LZPT LED Zero Plenum Troffer, Recessed Architectural 2 x 2 LED with frosted linear prismed lens
Ballast	D10CC55UNVTZ-C
Ballast Factor	1.00
Lamp	LED
Fixture Lumens	3769
Watts	35.40
Mounting	Recessed
Shielding Angle	0° = 90 90° = 90
Spacing Criterion	0° = 1.24 90° = 1.51
Luminous Opening in Feet	Length: 1.94 Width: 1.90 Height: 0.00

ZONAL LUMEN SUMMARY

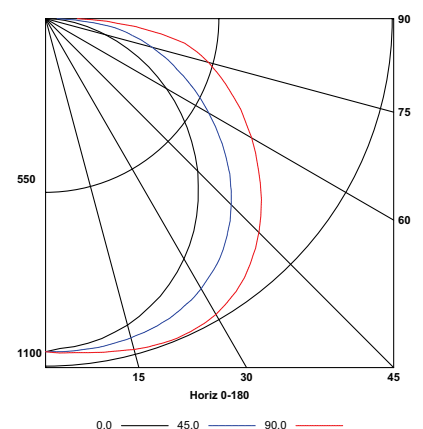
Zone	Lumens	% Lamp	% Fixt.
0-30	864	22.9	22.9
0-40	1453	38.6	38.6
0-60	2698	71.6	71.6
0-90	3769	100.0	100.0
0-180	3769	100.0	100.0

ENERGY DATA

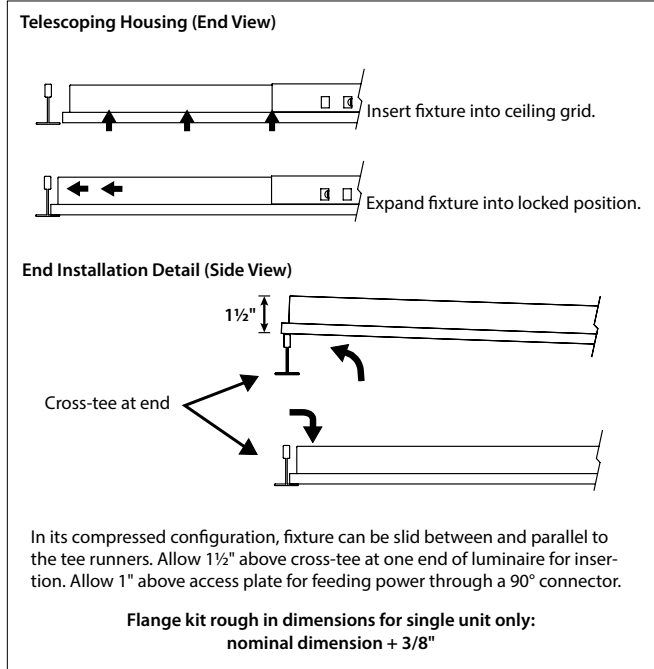
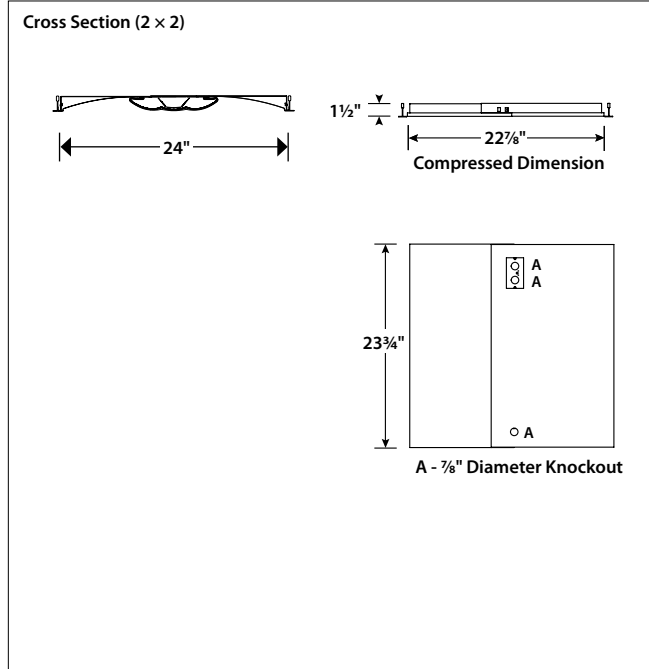
Total Luminaire Efficiency	100.0%
Total Lumens per Watt	106
IESNA RP-1-2004 Compliance	Non-Compliant
Comparative Yearly Lighting Energy Cost per 1000 Lumens	\$2.22 based on 3000 hrs. and \$0.08 per KWH

Test LZPT22-35HLG-LSRS-EU Test Date 12/10/2015

INDOOR CANDELA PLOT



DIMENSIONAL DATA



NOTE: All dimensions are in inches; dimensions and specifications are subject to change without notice. Please consult factory or check sample for verification.