



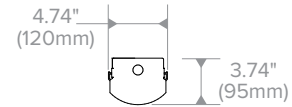
FEATURES

- Option 1: Blended — SpectraClean enhanced white light for ambient lighting with continuous disinfection
- Option 2: Blended Plus — SpectraClean enhanced white light with a high intensity, Dedicated SpectraClean mode for scheduled maximum disinfection
- Option 3: Independent — Alternates between pure white light and Dedicated SpectraClean mode for scheduled maximum disinfection
- Option 4: Dedicated — Concentrated SpectraClean (405 nm only) mode for maximum disinfection
- Available in 4' or 8' lengths



See Certification Specifications

END VIEW, BOTH SIZES



SPECIFICATIONS

CONSTRUCTION

- Housing, wireway, and ends are formed from code-gauge steel
- Housing components act as heat sink for LED heat dissipation
- Knockouts are provided for electrical access and mounting
- White painted parts are treated with a five-stage phosphate bonding process and finished with high reflectance baked enamel
- For a post-painted housing finish select PAF option

OPTICS

- Shielded with 100% frosted prismatic acrylic lens

INSTALLATION

- Surface mount, wall mount or suspended

ELECTRICAL

- Driver options include fixed output for on/off function or continuous 0–10V dimming

CERTIFICATION

- Ambient temperature range: -25°C TO 25°C
- All luminaires are built to UL 1598 Damp Location standards and bear appropriate CSA c/US labels
- This product qualifies as a “designated country construction material” per FAR 52.225-11 Buy American-Construction Materials under Trade Agreements effective 06/01/2020.

WARRANTY

- 5 year warranty

ORDERING GUIDE

Example: SCST4-B-35ML-EDU

CATALOG # _____

SCST		Version	Color Temp ¹	Nominal Lumens ¹	SpectraClean Output ²
Model	Size				
SCST Lensed Striplight with SpectraClean	4 4'	B Blended	30 3000K	LW 4' (4200); 8' (8400)	L1 Level 1
	8 8'	BP Blended Plus	35 3500K	ML 4' (4800); 8' (9600)	
		N Independent	40 4000K	HL 4' (5600); 8' (11,200)	
		D Dedicated	50 5000K		

Driver ³	Voltage	Options
E Fixed output	U 120-277V	GLR Fast Blow Fuse
ED 0-10V Dimming		PAF Paint After Fabrication

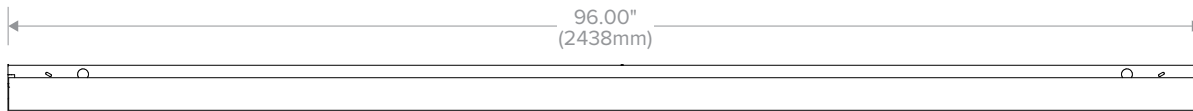
Accessories

- S18** 18" Stem
- SS18** 18" Swivel Stem - 45° Swivel
- CSHC** Chain Hanger Assembly
- LCLWG4** 4' Wire guard, 2 Required for 8' fixture

Notes:
 1 For Dedicated (D) mode, leave blank
 2 For Blended (B) mode, leave blank
 3 ED for Blended (B), Blended Plus (BP) and Independent (N) modes only

DIMENSIONS

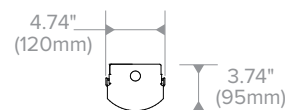
SIDE VIEW, 8'



SIDE VIEW, 4'



END VIEW, BOTH SIZES



CONTROLS

NX Solution Guide for SpectraClean Antimicrobial Lighting Technology



When paired with SpectraSync enabled luminaires, SpectraClean Antimicrobial Lighting Technology delivers a comprehensive disinfection solution, simplifying setup through self-configuration and an optional Bluetooth® interface with mobile application.

- Device auto-configuration and plug-n-play connectivity
- Intuitive app interface and user-friendly wall stations

Order as separate catalog number. Visit www.hubbellcontrolsolutions.com

Note: 'xx' = color; Black (BK), Gray (GY), Ivory (IV), Light Almond (LA), Red (RD), White (WH).

NX™ DISTRIBUTED INTELLIGENCE ACESORIES FOR SPECTRASYNC CONTROL	
Catalog Number	Descriptor
NXRCFX2-2RD-UNV	NX Room Controller, 2 Relay, 0-10V Dimming, Universal Voltage
NXSWR-SS-xx	NX Digital Scene Switch, 6 Buttons, 4 Presets, Raise/Lower
NXSWR-ORLO-xx	NX Digital Switch Station, On/Raise/Lower/Off
NXOS-DT	NX Dual Tech Occupancy Sensor

NX User Interfaces



Wall stations for personalized control of light and color



NX mobile app offers user-friendly configuration tool



Area Controller GUI provides simple and intuitive programming

Android

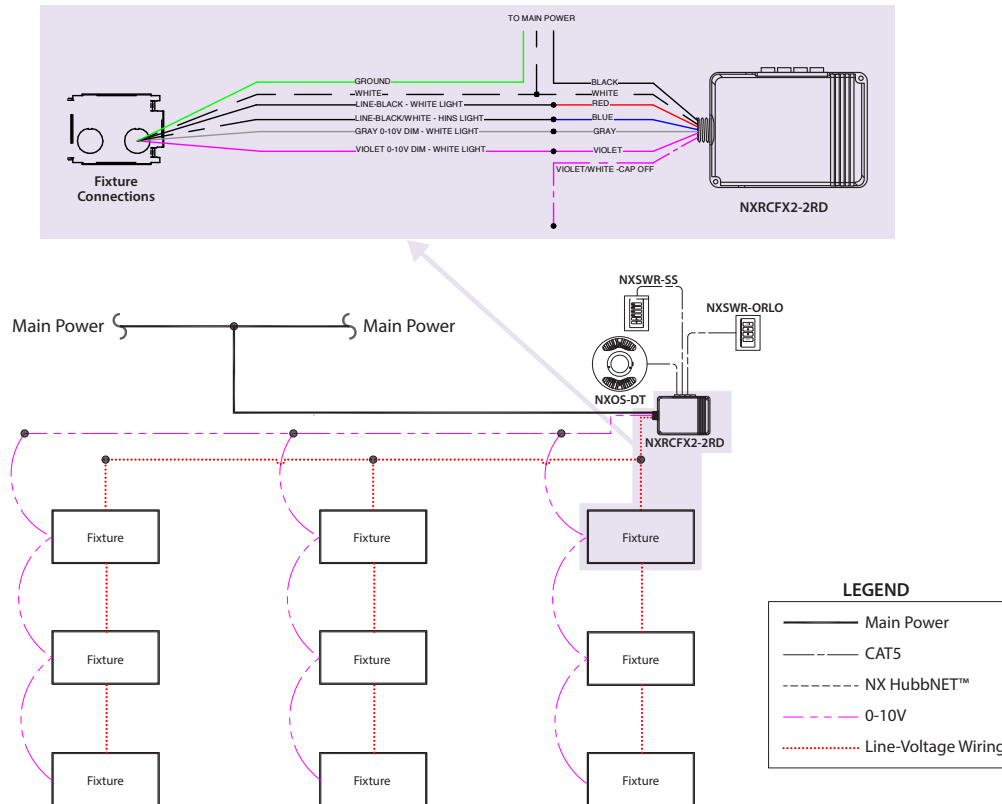


Free Bluetooth® enabled mobile app for ease of configuration

Apple

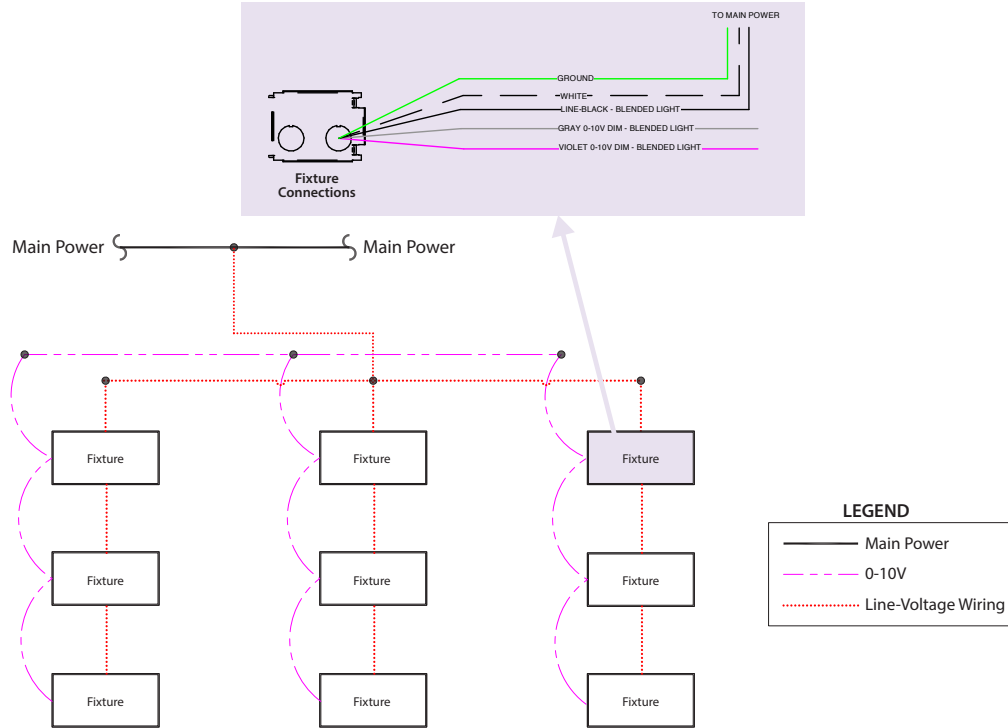


Typical NX Distributed Intelligence™ Layout for Stand-alone or Networked Room Control for Blended Plus or Independent SpectraClean Modes

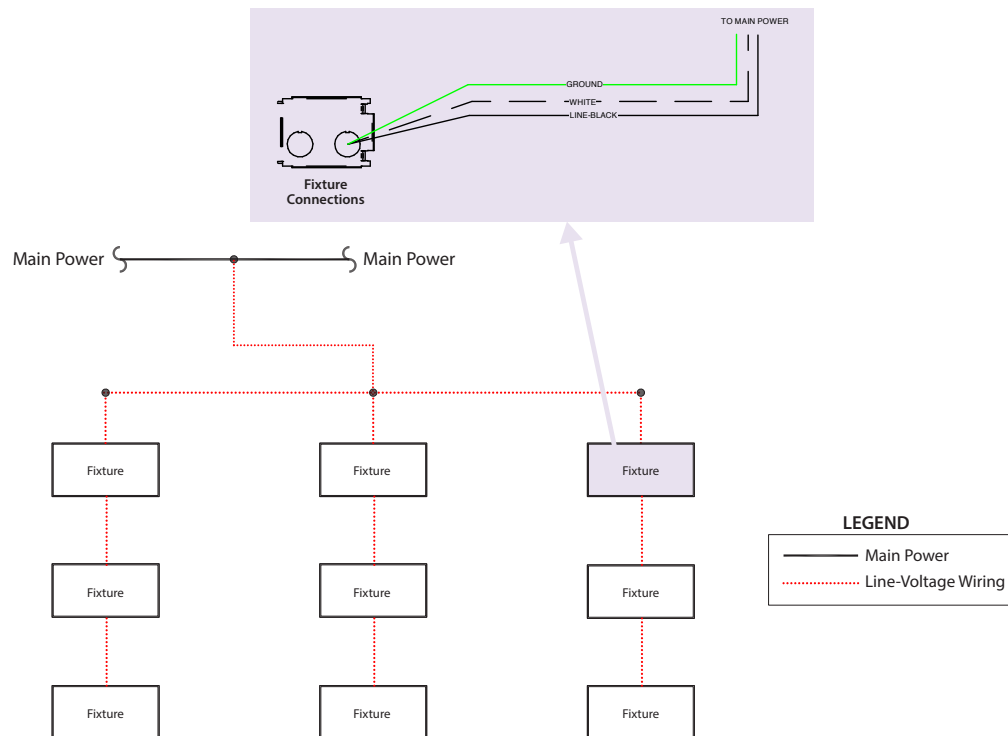


CONTROLS (CONTINUED)

Typical Layout for Blended SpectraClean Mode



Typical Layout for Dedicated SpectraClean Mode



DELIVERED LUMENS

PERFORMANCE DATA 4000K 80 CRI					
Size	Mode	Lumen Package	Lumens	Input Watts	LPW
4'	BLENDED	SCST4-B-HL	6488	65	100
		SCST4-B-ML	5563	54	103
		SCST4-B-LW	4954	47	106
	BLENDED PLUS	SCST4-BP-HL	6440	63	103
		SCST4-BP-ML	5513	52	106
		SCST4-BP-LW	4773	45	107
	BLENDED PLUS (HINS ONLY)	SCST4-BP-XX-L1	N/A	107	N/A
	INDEPENDENT (WHITE)	SCST4-N-HL	7037	51	137
		SCST4-N-ML	6136	44	140
		SCST4-N-LW	5382	37	144
	INDEPENDENT (HINS ONLY)	SCST4-N-XX-L1	N/A	107	N/A
	DEDICATED	SCST4-D	N/A	146	N/A
8'	BLENDED	SCST8-B-HL	12976	130	100
		SCST8-B-ML	11126	108	103
		SCST8-B-LW	9908	94	106
	BLENDED PLUS	SCST8-BP-HL	12880	126	103
		SCST8-BP-ML	11026	104	106
		SCST8-BP-LW	9546	89	107
	BLENDED PLUS (HINS ONLY)	SCST8-BP-XX-L1	N/A	214	N/A
	INDEPENDENT (WHITE)	SCST8-N-HL	14074	102	137
		SCST8-N-ML	12272	88	140
		SCST8-N-LW	10764	75	144
	INDEPENDENT (HINS ONLY)	SCST8-N-XX-L1	N/A	214	N/A
	DEDICATED	SCST8-D	N/A	293	N/A