



FEATURES

- Option 1: Blended — SpectraClean enhanced white light for ambient lighting with continuous disinfection
- Option 2: Blended Plus — SpectraClean enhanced white light with a high intensity, Dedicated SpectraClean mode for scheduled maximum disinfection
- Option 3: Independent — Alternates between pure white light and Dedicated SpectraClean mode for scheduled maximum disinfection
- Option 4: Dedicated — Concentrated SpectraClean (405 nm only) mode for maximum disinfection
- -40°C (-104°F) to 30°C (86°F)



See Certification Specifications

SPECIFICATIONS

CONSTRUCTION

- Fiberglass reinforced housing and tough injection molded lens
- Hinged driver tray for easy maintenance
- Industrial fixture design allows for easy cleaning and reduces dirt and water accumulation
- Housing is chemical resistant
- Internal steel surfaces are painted with high gloss baked white enamel, applied over iron phosphate pre-treatment for maximum adhesion and rust resistance
- Stainless steel parts have fine brushed mill finish

INSTALLATION

- Use flexible conduit only
- 12 captive polyacetal (POM) latches and four fixed installation points secures the fixture during transit and allows for fast installation

ELECTRICAL

- Fixed output driver
- QR code label affixed to housing for easy traceability

CERTIFICATION

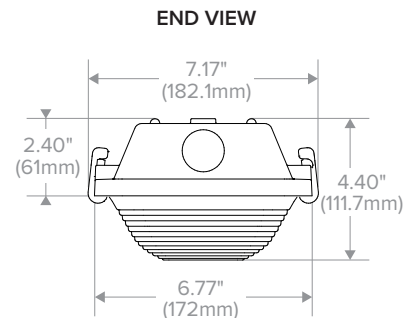
- All luminaires are built to UL 1598 standards, and bear appropriate CSA labels
- Ingress protection IP66 standard

CERTIFICATION (CONTINUED)

- NEMA4X Enclosure
- Wet location labeling is standard
- UL Sanitation certified to NSF standards
- This product qualifies as a “designated country construction material” per FAR 52.225-11 Buy American-Construction Materials under Trade Agreements effective 06/01/2020.

WARRANTY

- 5 year warranty



DATE: _____ LOCATION: _____

TYPE: _____ PROJECT: _____

CATALOG #: _____

ORDERING GUIDE

Example: SCVM4-B-35LW-L1-SFA-EDU

CATALOG # _____

SCVM		Size	Version	Color Temp ¹	Nominal Lumens ¹	SpectraClean Output ²
Model	Vaportite with SpectraClean	4 4' 8 8'	B Blended BP Blended Plus N Independent D Dedicated	30 3000K 35 3500K 40 4000K 50 5000K	VW 4' (3200); 8' (6400) LW 4' (4200); 8' (8400) ML 4' (4800); 8' (9600)	L1 Level 1

Lens	Driver ³	U Voltage	Options
SFA Smooth Frosted Acrylic	E Fixed Output	U 120-277V	GLR Fast Blow Fuse
SFP Ribbed Frosted Polycarbonate	ED 0-10V Dimming		SSL Stainless Steel Tamper Resistant Ready Latches
			TP Tamper Proof Latches
			SWH Single Wet Hub 1/2" NPT Hub
			DWH Dual Wet Hub 1/2" NPT Hub
			F3C8W 3 Wire 8' Wet Cord
			F3C15W 3 Wire 15' Wet Cord
			F5C8W 5 Wire 8' Wet Cord
			F5C15W 5 Wire 15' Wet Cord

Accessories

- XEDPM** Dual Pendant Mount
- XEHC** Chain Hanger Kit
- XE45MB** 45° Mounting Bracket Galvanized
- XE45MBSS** 45° Mounting Bracket Stainless

Notes:

- 1 For Dedicated (D) mode, leave blank
- 2 For Blended (B) mode, leave blank
- 3 E for Dedicated (D) only, ED for Blended (B), Blended Plus (BP) and Independent (N) modes only

CONTROLS

NX Solution Guide for SpectraClean Antimicrobial Lighting Technology



When paired with SpectraSync enabled luminaires, SpectraClean Antimicrobial Lighting Technology delivers a comprehensive disinfection solution, simplifying setup through self-configuration and an optional Bluetooth® interface with mobile application.

- Device auto-configuration and plug-n-play connectivity
- Intuitive app interface and user-friendly wall stations

Order as separate catalog number.

Note: 'xx' = color; Black (BK), Gray (GY), Ivory (IV), Light Almond (LA), Red (RD), White (blank).

NX LIGHTING CONTROLS ACESORIES FOR SPECTRASYNC CONTROL	
Catalog Number	Descriptor
NXRC-2RD-UNV	NX Room Controller, 2 Relay, 0-10V Dimming, Universal Voltage
NXSW-SS-xx	NX Digital Scene Switch, 6 Buttons, 4 Presets, Raise/Lower
NXSW-ORLO-xx	NX Digital Switch Station, On/Raise/Lower/Off
NXOS-DT	NX Dual Tech Occupancy Sensor

NX User Interfaces



Wall stations for personalized control of light and color



NX mobile app offers user-friendly configuration tool



Area Controller GUI provides simple and intuitive programming

Android

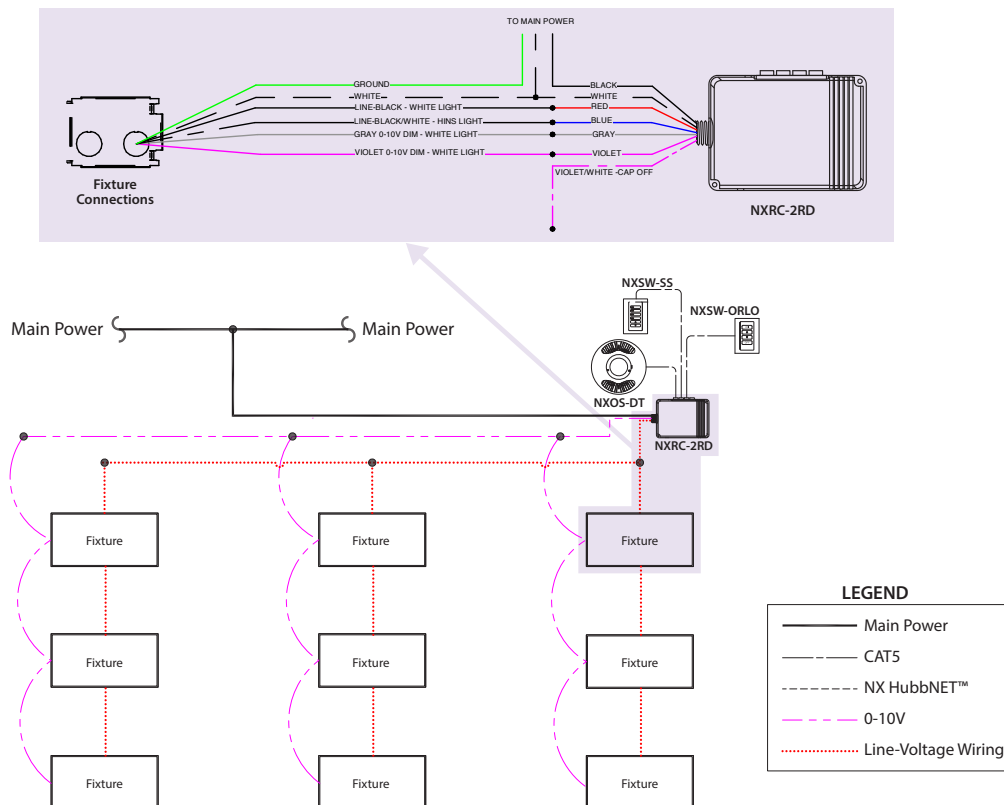


Free Bluetooth® enabled mobile app for ease of configuration

Apple

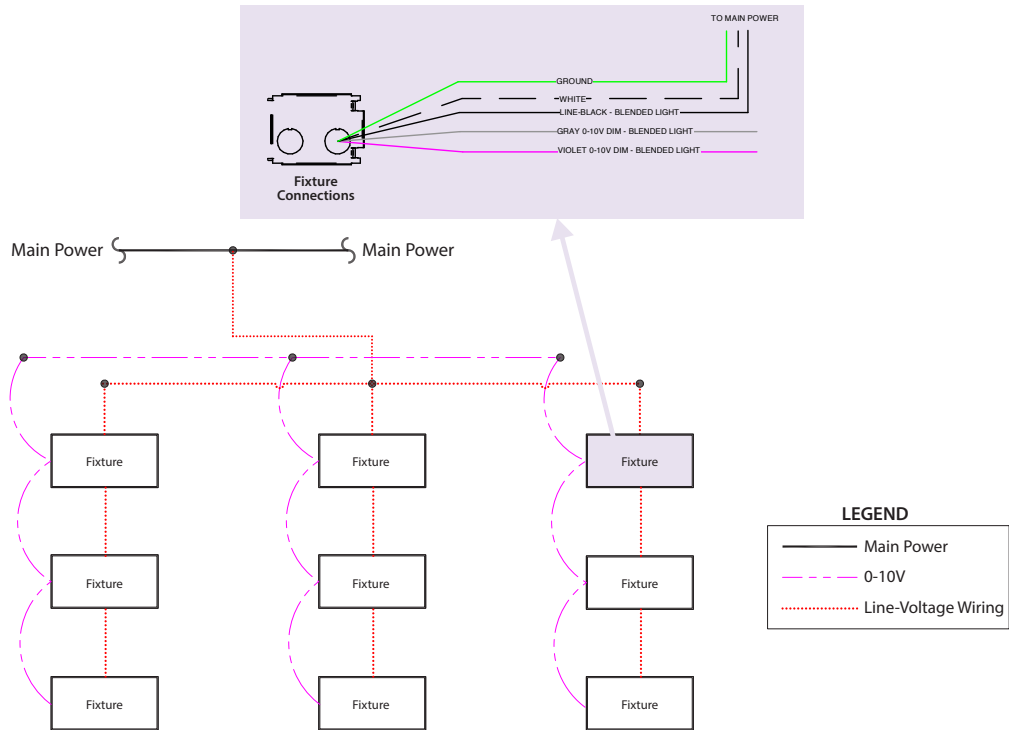


Typical NX Lighting Controls Layout for Stand-alone or Networked Room Control for Blended Plus or Independent SpectraClean Modes

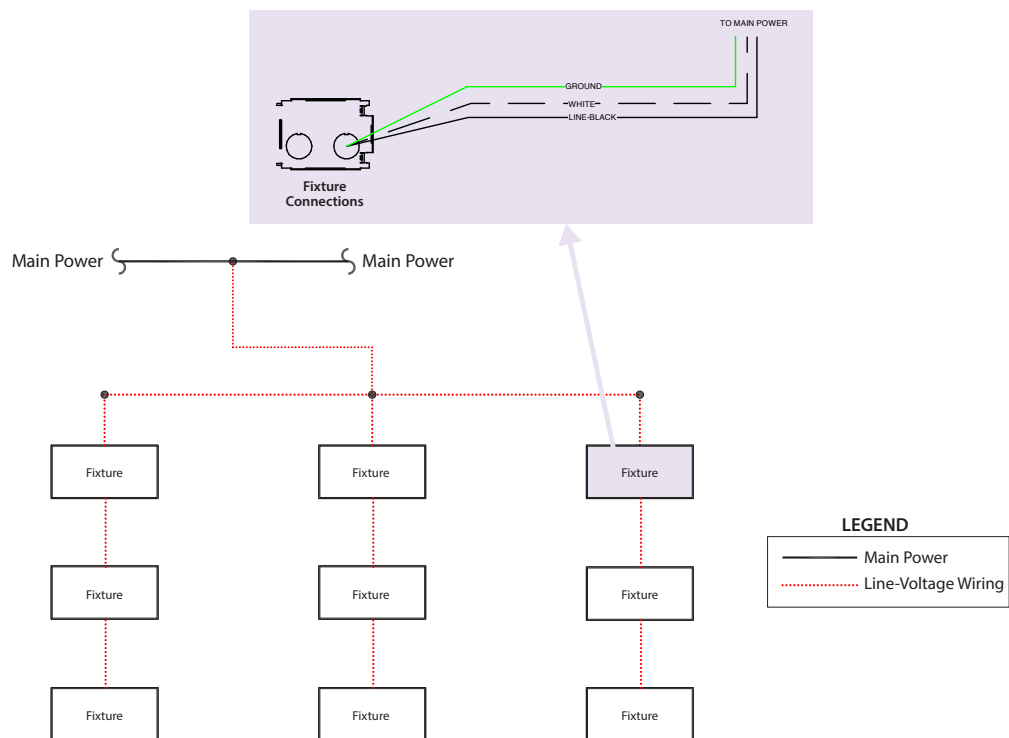


CONTROLS (CONTINUED)

Typical Layout for Blended SpectraClean Mode



Typical Layout for Dedicated SpectraClean Mode



DATE: _____ LOCATION: _____

TYPE: _____ PROJECT: _____

CATALOG #: _____

DELIVERED LUMENS

PERFORMANCE DATA 4000K 80 CRI					
Size	Mode	Lumen Package	Lumens	Input Watts	LPW
4'	BLENDED	SCVM4-B-VW	3279	35	94
		SCVM4-B-LW	4255	46	92
		SCVM4-B-ML	4897	54	91
	BLENDED PLUS	SCVM4-BP-VW	3279	35	94
		SCVM4-BP-LW	4255	46	92
		SCVM4-BP-ML	4897	54	91
	BLENDED PLUS (HINS ONLY)	SCVM4-BP-XX-L1	N/A	83	N/A
	INDEPENDENT (WHITE)	SCVM4-N-VW	3055	24	126
		SCVM4-N-LW	4051	33	123
		SCVM4-N-ML	4896	41	119
	INDEPENDENT (HINS ONLY)	SCVM4-N-XX-L1	N/A	83	N/A
	DEDICATED	SCVM4-D	N/A	169	N/A
8'	BLENDED	SCVM8-B-VW	6558	69	94
		SCVM8-B-LW	8510	93	92
		SCVM8-B-ML	9794	107	91
	BLENDED PLUS	SCVM8-BP-VW	6558	69	94
		SCVM8-BP-LV	8510	93	92
		SCVM8-BP-ML	9794	107	91
	BLENDED PLUS (HINS ONLY)	SCVM8-BP-XX-L1	N/A	165	N/A
	INDEPENDENT (WHITE)	SCVM8-N-VW	6110	48	126
		SCVM8-N-LW	8102	66	123
		SCVM8-N-ML	9792	82	119
	INDEPENDENT (HINS ONLY)	SCVM8-N-XX-L1	N/A	165	N/A
	DEDICATED	SCVM8-D	N/A	338	N/A

DATE: _____ LOCATION: _____

TYPE: _____ PROJECT: _____

CATALOG #: _____

DIMENSIONS

