

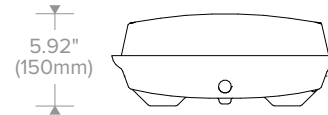


FEATURES

- Option 1: Independent — Alternates between pure white light and Dedicated SpectraClean mode for scheduled maximum disinfection
- Option 2: Dedicated — Concentrated SpectraClean (405 nm only) mode for maximum disinfection
- Impact resistant frosted acrylic lens or optional frosted polycarbonate lens
- Removable gear tray electrical access
- -40°C (-104°F) up to +30°C (86°F) ambient operation



END VIEW



SPECIFICATIONS

CONSTRUCTION

- Fiberglass reinforced housing and tough injection molded lens
- Hinged driver tray for easy maintenance
- Industrial fixture design allows for easy cleaning and reduces dirt and water accumulation
- Housing is chemical resistant
- Internal steel surfaces are painted with high gloss baked white enamel, applied over iron phosphate pre-treatment for maximum adhesion and rust resistance
- Stainless steel parts have fine brushed mill finish

INSTALLATION

- Use flexible conduit only
- Captive polyacetal (POM) latches and four fixed installation points secures the fixture during transit and allows for fast installation

ELECTRICAL

- Fixed output driver
- QR code label affixed to housing for easy traceability

CERTIFICATION

- All luminaires are built to UL 1598 standards and bear appropriate CSA labels
- Ingress protection IP66 standard

CERTIFICATION (CONTINUED)

- NEMA4X Enclosure
- Wet location labeling is standard
- UL Sanitation certified to NSF standards
- This product qualifies as a “designated country construction material” per FAR 52.225-11 Buy American-Construction Materials under Trade Agreements effective 06/01/2020.

WARRANTY

- 5 year warranty

KEY DATA	
Lumen Range	11,000–17,000
Wattage Range	79–125
Efficacy Range (LPW)	136–139
Reported Life (Hours)	60,000

DATE: _____ LOCATION: _____

TYPE: _____ PROJECT: _____

CATALOG #: _____

ORDERING GUIDE

Example: SCVW4-D-L2-FAW-EU

CATALOG #

SCVW	4				
Model	Size	Version	Color Temp ¹	Nominal Lumens ¹	SpectraClean Output
SCVW Vaportite with SpectraClean	4 4'	D Dedicated N Independent	30 3000K 35 3500K 40 4000K 50 5000K	L 12,000 M 16,000 MH 18,000	L1 Level 1

Lens	W Distribution	E Driver	U Voltage	Options
FA Frosted Impact Resistant Acrylic FP Frosted Polycarbonate	W Wide	E Fixed Output	U 120-277V	GLR Fast Blow Fuse SSL Stainless Steel Tamper Resistant Ready Latches TP Tamper Proof Latches F3C8W 3-wire 8' Wet Cord F3C15W 3-wire 15' Wet Cord F5C8W 5 Wire 8' Wet Cord F5C15W 5 Wire 15' Wet Cord SWH Single Wet Hub 1/2" NPT Hub DWH Dual Wet Hub 1/2" NPT Hub

Accessories

- LHVQM5 5' Aircraft Cable (Pair)
- LHVQM10 10' Aircraft Cable (Pair)
- XEWWHK V-Hook (includes 2)
- XEWRBZN Zinc Plated Rigid Surface Mount Bracket Kit (includes 2)
- XEWRBSS Stainless Steel Rigid Surface Mount Bracket Kit (includes 2)
- XEWFBSBSS Stainless Steel Surface Mounting Bracket Kit (includes 2)

Notes:

1 For Dedicated (D) mode, leave blank

CONTROLS

NX Solution Guide for SpectraClean Antimicrobial Lighting Technology



When paired with SpectraSync enabled luminaires, SpectraClean Antimicrobial Lighting Technology delivers a comprehensive disinfection solution, simplifying setup through self-configuration and an optional Bluetooth® interface with mobile application.

- Device auto-configuration and plug-n-play connectivity
- Intuitive app interface and user-friendly wall stations

Order as separate catalog number.

Note: 'xx' = color; Black (BK), Gray (GY), Ivory (IV), Light Almond (LA), Red (RD), White (blank).

NX LIGHTING CONTROLS ACCESORIES FOR SPECTRASYNC CONTROL	
Catalog Number	Descriptor
NXRC-2RD-UNV	NX Room Controller, 2 Relay, 0-10V Dimming, Universal Voltage
NXSW-SS-xx	NX Digital Scene Switch, 6 Buttons, 4 Presets, Raise/Lower
NXSW-ORLO-xx	NX Digital Switch Station, On/Raise/Lower/Off
NXOS-DT	NX Dual Tech Occupancy Sensor

NX User Interfaces



Wall stations for personalized control of light and color



NX mobile app offers user-friendly configuration tool



Area Controller GUI provides simple and intuitive programming

Android

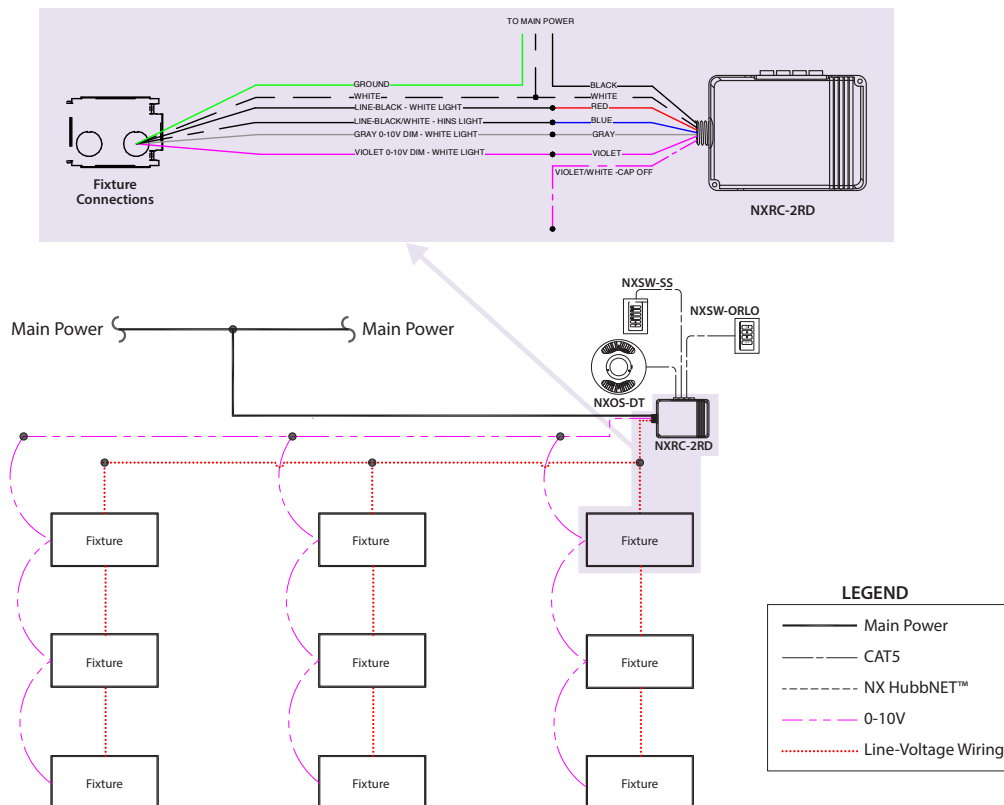


Free Bluetooth® enabled mobile app for ease of configuration

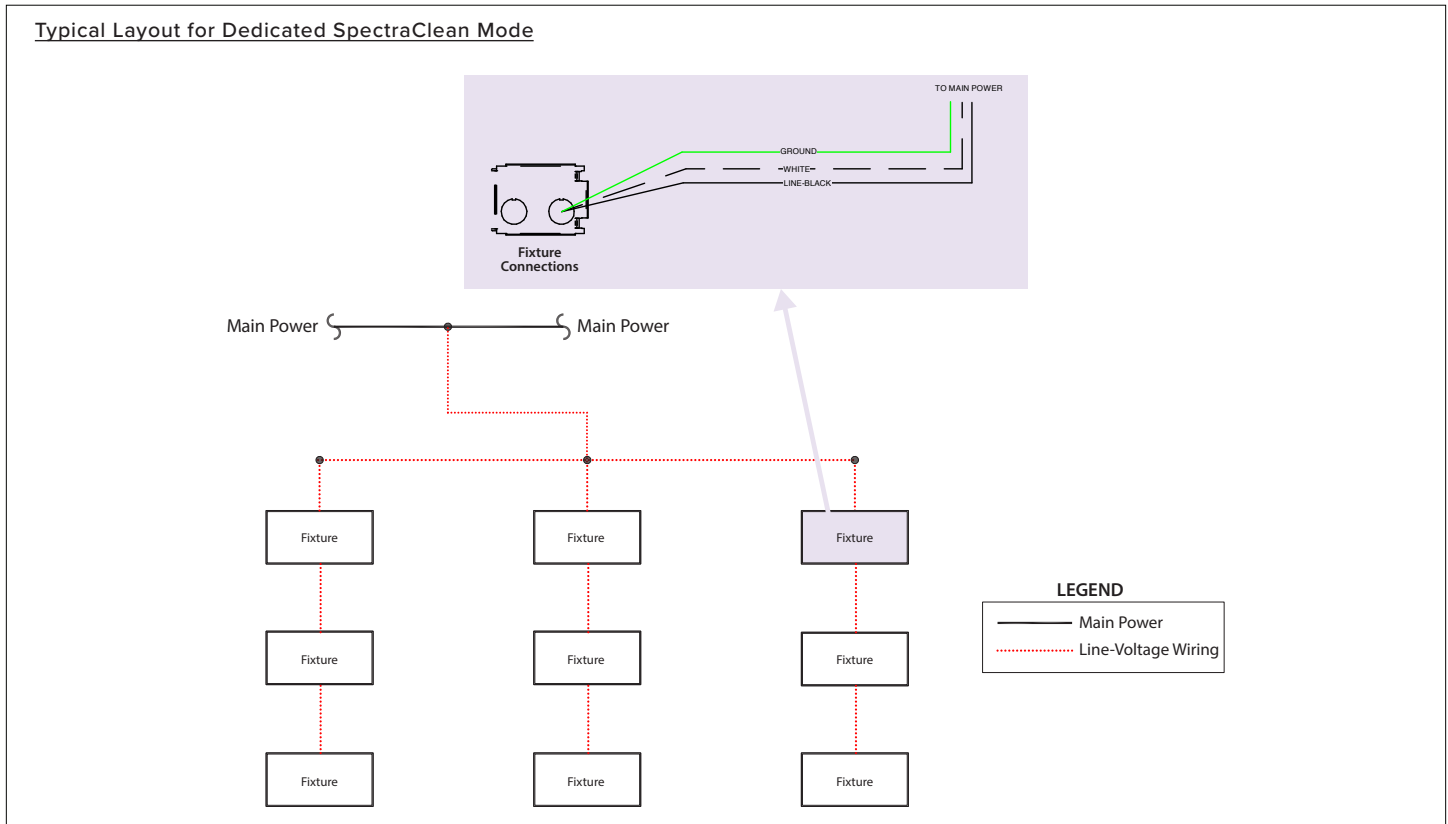
Apple



Typical NX Lighting Controls Layout for Stand-alone or Networked Room Control for Blended Plus or Independent SpectraClean Modes



CONTROLS (CONTINUED)



DELIVERED LUMENS

Mode	Lumen Package	Nominal Lumens	Watts	LPW
INDEPENDENT	SCVW4-N-L	11,000	79	139
	SCVW4-N-M	15,000	110	136
	SCVW4-N-MH	17,000	125	137
DEDICATED	SCVW4-D-L1	N/A	283	N/A

ELECTRICAL DATA

Mode	Lumen Package	Amperage			
		120V	208V	240V	277V
INDEPENDENT	SCVW4-N-L	0.66	0.38	0.33	0.29
	SCVW4-N-M	0.92	0.53	0.46	0.40
	SCVW4-N-MH	1.04	0.60	0.52	0.45
DEDICATED	SCVW4-D-L1	2.24	1.29	1.12	0.97

DIMENSIONS

