

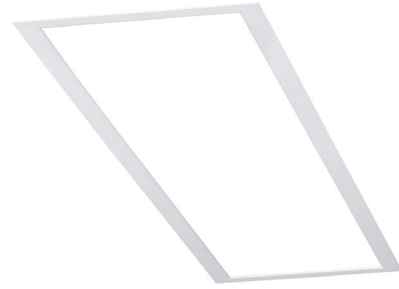
Scaler™ 1x4 Panel

1'X4' EDGE-LIT FLAT PANEL

DATE:	LOCATION:
TYPE:	PROJECT:
CATALOG #:	

FEATURES

- Edge-lit flat panel with options provides a wide variety of configurations to match any application
- Appropriate for offices, schools, medical, and public spaces
- Superior construction provides even light across the face of the fixture
- IC rated
- Suitable for ISO Class 5–9 positive pressure cleanrooms



CONTROLS TECHNOLOGY



SPECIFICATIONS

CONSTRUCTION

- Extruded aluminum frame has a matte white finish and clean frame-to-lens transition

OPTICS

- Acrylic blend light guide with frosted/textured outer lens provides edge to edge illumination without pixelation or bright spots

INSTALLATION

- Integral T-bar clips for secure mounting to grid ceiling
- For surface/cable mount applications use surface/cable mount kit accessories
- For plaster or sheet rock installations, use flange kit

ELECTRICAL

- 54,000 hour LEDs at L70 for reduced maintenance

CONTROLS

- Optional SpectraSync™ offers a Tunable White solution and integrates seamlessly into a variety of control systems
- NX Lighting Controls provides options for wired or wireless connectivity for NX system deployments

CERTIFICATIONS

- All luminaires are built to UL 1598 standards and bear appropriate cULus labels
- CSA certified to UL 924 standards with battery pack
- Damp location label standard
- Tested in accordance with ISO 14644-1; suitable for ISO Class 5–9 positive and negative pressure clean rooms
- NX is available in U.S., Canada and Mexico. For other locations consult factory
- UL Sanitation certified to NSF standards

CERTIFICATIONS (CONTINUED)

- DLC® (DesignLights Consortium) Qualified, with some Premium Qualified configurations. Please refer to the DLC website for specific product qualifications at www.designlights.org
- The DTS, Dimming Bypass Module, is for emergency circuit control loads including sensors and wireless systems UL certified to UL 924. See page 8 for wiring diagram.
- Adheres to LM79, LM80, and TM21 industry standards for photometrics and lifetime calculations

WARRANTY

- 5 year warranty

KEY DATA	
Lumen Range	2415–7232
Wattage Range	20–59
Efficacy Range (LPW)	115–134
Reported Life (Hours)	L70/54000

Scaler™ 1x4 Panel

1'X4' EDGE-LIT FLAT PANEL

DATE: _____ LOCATION: _____

TYPE: _____ PROJECT: _____

CATALOG #: _____

ORDERING GUIDE

Example: SRP14-35LWG-EDU-ELL14-NXE

CATALOG #

SRP14				G			
Model	CRI	Color Temp	Lumen Output	Ceiling	Driver		
SRP14 1' x 4' Scaler™ Panel Edge-Lit	Blank >80	30	3000K	XW	G Grid	ED	0-10V Dimming
		35	3500K	VW		ED1	0-10V 1% Dimming
		40	4000K	MW		EDD	0-10V Dim-to-Dark
		50	5000K	LW		ESD	Step Dimming
		3050T	3000-5000K	ML		LUTH	Hi-lume 1% EcoSystem LED driver with Soft-on, Fade-to-Black dimming technology ^{2,3}
				HL		LUTT	T-Series 1% 2-Channel Tunable White driver ^{2,3,4}
				VL			
See Product Availability Table (next page)							

Voltage	Options	Control Options
U 120V-277V 347 347V	ELL14 Emergency Battery Pack Installed, 1400 Lumens ^{3,5} ELL14ST Emergency Battery Pack Installed, 1400 Lumens w/ Self Test ^{3,5} ELL14H2 Emergency Battery Pack, 2-Hour Run Time ^{3,5,6} DTS Dimming Bypass Module ^{3,5,7} CP Chicago Plenum GLR Fast Blow Fuse C3xx 3-wire Flex ⁸ C4xx 4-wire Flex ⁸ C5xx 5-wire Flex ⁸	NX Networked – Wired NXE NX Dual RJ45 SmartPORTs, without Sensor ^{3,8,9} NX Networked – Wireless NXW NX Networked Wireless Radio Module NXRM2 and Bluetooth Programming, without Sensor ^{3,8,9}

Accessories	
<input type="checkbox"/> FK14	1x4 Single Flange Kit (Shipped separately)
<input type="checkbox"/> PLRTS	Remote Test Switch Module ¹⁰
<input type="checkbox"/> SRPSMK-14	1x4 SRP Surface Mount Kit ¹¹
<input type="checkbox"/> CFPCM36Y SC5F-KIT	36" Cable Mount Kit for 1' or 2' wide Cable Mount fixtures, 5-wire

Notes:

- 1 Not available with through-wiring or emergency battery pack
- 2 Limitations apply based on lumen packages (see Product Exceptions & Details)
- 3 Not available in 347V
- 4 For use only with Lutron T series controls
- 5 For compatibility with Dual-Lite Litegear inverters, contact lighting representative
- 6 Not available for use in Canada
- 7 For emergency circuit control loads including sensors and wireless systems UL certified to UL 924. See page 6 for wiring diagram

NX In-Fixture Control Options:

- 8 For NX control and flex wire together consult factory
- 9 NX is not available with ESD, LUTH or LUTT driver options

Accessory Notes:

- 10 Use with emergency battery pack
 - 11 Surface mount kit can not be used with NXW options
- For questions about configuration options, contact lighting representative

PRODUCT EXCEPTIONS & DETAILS

Driver options listed below are available for the outputs as shown.

DRIVER AVAILABILITY TABLE							
	XW	VW	MW	LW	ML	HL	VL
ED	X	X	X	X	X	X	X
ED1	X	X	X	X	X	X	X
EDD	X	X	X	X	X	X	X
ESD	X	X	X	X	X	X	X
LUTH	X	X	X	X	X	X	X
LUTT	X	X	X	X	X	X	X ¹²
347	X	X	X	X	X	X	X

¹² Not available with thru-wiring

Scaler™ 1x4 Panel

1'X4' EDGE-LIT FLAT PANEL

DATE:	LOCATION:
TYPE:	PROJECT:
CATALOG #:	

CONTROLS

NX Lighting Controls:

Supports both indoor and outdoor applications in a variety of deployment options- wired, wireless, hybrid. Integrates with and enables a wide array of luminaires including those with SpectraSync™ Color Tuning Technology.



NX INTEGRATED CONTROLS REFERENCE								
NX Option	Sensor	Networkable	Scheduling	Occupancy	Daylight Harvesting	0–10V Dimming	On/off Control	Bluetooth® App Programming
NX Networked – Wired								
NXE	N/A	Yes	Yes	No	No	Yes	Yes	Requires NXBTC ¹
NX Networked – Wireless								
NXW ²	N/A	Yes	Yes	No	No	Yes	Yes	Yes

- 1 NXBTC needs to be plugged into an available NX SmartPORT™ on the fixture network
- 2 To program NXW option, need to consult factory. If connected to an area controller, programming can be done from that

SpectraSync™ Color Tuning Technology:

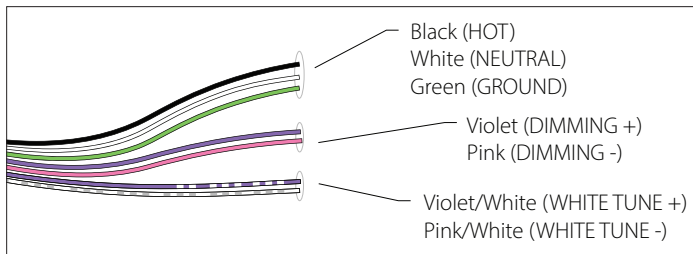
Control your space based on the needs of the application, specific activities throughout the day and preferences of the occupants with distinct SpectraSync™ Color Tuning Technologies.



SPECTRASYNCH COLOR TUNING TECHNOLOGY		
Mode	Kelvin Range	Description
Tunable White	3000K–5000K	Offers users the ability to tailor CCT to their personal preference, enhancing task visibility, material and colors or the aesthetics of the space

SpectraSync Tunable White

3050T (3000K–5000K). Requires two 0–10V controllers, one for intensity and one for CCT. Minimum 5% dimming.

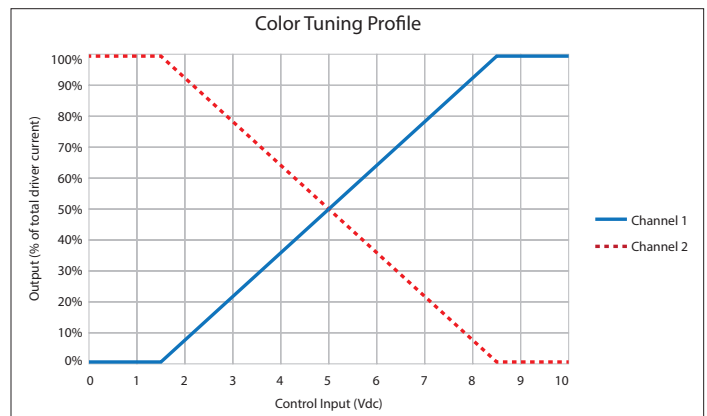


SpectraSync Tunable White luminaires are provided with two 0–10V circuits. The violet and pink circuit is for wiring to any qualified 0–10V controller for dimming. The violet/white and pink/white circuit is for wiring to any qualified 0–10V controller for Tunable White CCT control.

Controller Manufacturer Data

SpectraSync Tunable White was designed to be used with sinking style dimmers (provided by others) and is compatible with:

- NX Lighting Controls Room Controller (NXRC) and In-fixture Controllers (NXFM)
- Lutron: DDTV, DVSTV, and NFTV dimmers
- Wattstopper: ADF120277 and CD4BL (Titan) dimmers



To enable scheduling and for use with NX wall control preset stations please refer to NX SpectraSync technical sheet.

Scaler™ 1x4 Panel

1'X4' EDGE-LIT FLAT PANEL

DATE: _____ LOCATION: _____

TYPE: _____ PROJECT: _____

CATALOG #: _____

DELIVERED LUMENS, SPECTRASYNC™



Lumen Output	Watts	3000		3500		4000		5000	
		Lumens	LPW	Lumens	LPW	Lumens	LPW	Lumens	LPW
XW	20	2415	122	2447	124	2527	128	2559	129
VW	25	3008	122	3048	124	3148	128	3188	129
MW	27	3379	123	3424	125	3537	129	3581	130
LW	32	4051	127	4104	128	4240	133	4293	134
ML	39	4733	120	4795	122	4953	126	5015	128
HL	43	5332	123	5403	125	5581	129	5651	131
VL	59	6824	115	6914	117	7142	121	7232	122

DELIVERED LUMENS

Product Availability			
Lumen Package	Lumens	Input Watts	LPW
SRP14-30XW-EDU	2415	20	122
SRP14-35XW-EDU	2447	20	124
SRP14-40XW-EDU	2527	20	128
SRP14-50XW-EDU	2559	20	129
SRP14-30VW-EDU	3008	25	122
SRP14-35VW-EDU	3048	25	124
SRP14-40VW-EDU	3148	25	128
SRP14-50VW-EDU	3188	25	129
SRP14-30MW-EDU	3379	27	123
SRP14-35MW-EDU	3424	27	125
SRP14-40MW-EDU	3537	27	129
SRP14-50MW-EDU	3581	27	130
SRP14-30LW-EDU	4051	32	127
SRP14-35LW-EDU	4104	32	128
SRP14-40LW-EDU	4240	32	133
SRP14-50LW-EDU	4293	32	134
SRP14-30ML-EDU	4733	39	120
SRP14-35ML-EDU	4795	39	122
SRP14-40ML-EDU	4953	39	126
SRP14-50ML-EDU	5015	39	128
SRP14-30HL-EDU	5332	43	123
SRP14-35HL-EDU	5403	43	125
SRP14-40HL-EDU	5581	43	129
SRP14-50HL-EDU	5651	43	131
SRP14-30VL-EDU	6824	59	115
SRP14-35VL-EDU	6914	59	117
SRP14-40VL-EDU	7142	59	121
SRP14-50VL-EDU	7232	59	122

Scaler™ 1x4 Panel

1'X4' EDGE-LIT FLAT PANEL

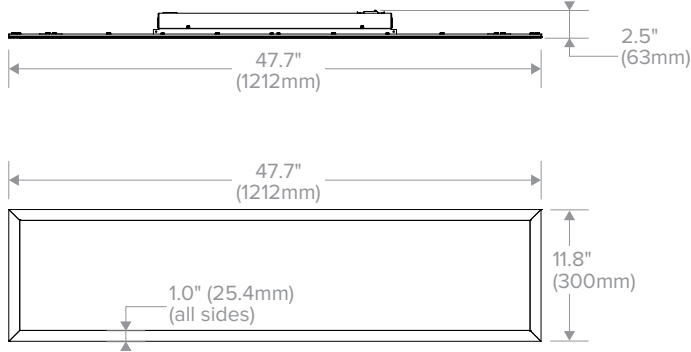
DATE: _____ LOCATION: _____

TYPE: _____ PROJECT: _____

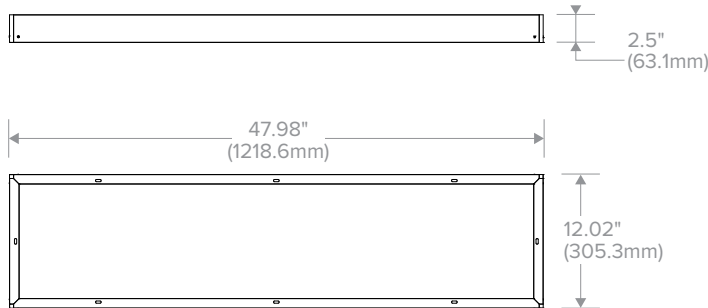
CATALOG #: _____

DIMENSIONS

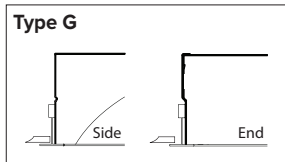
GRID



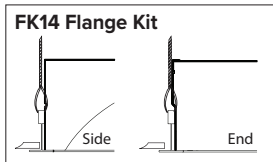
SURFACE MOUNT



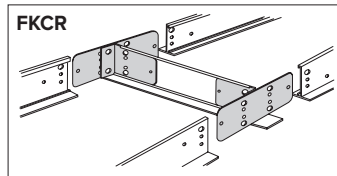
CEILING COMPATIBILITY



For lay-in installation in exposed grid ceilings. Maximum tee widths of 1" and maximum tee heights of 2" allowed.



For hard ceiling applications, order FK14 flange kit. Flange kit wires directly into concealed ceiling opening for a clean, finished appearance.



For flanged fixtures in row configurations, the FKCR adapter bracket kit is required in addition to the FK14 kit. Order one less FKCR than the total number of fixtures in row. (Example: Row of two, order (2) FK14 & (1) FKCR)

Row cut out dimensions using FK14s & FKCR adapters:
Width 12³/₈", Length [48" × (# in row)] + ³/₈".
Example: (48" × 2) + 3/8" = 96³/₈"

Flange kit cut out dimension for single unit only: 12³/₈" × 48³/₈"

Scaler™ 1x4 Panel

1'X4' EDGE-LIT FLAT PANEL

DATE: _____ LOCATION: _____

TYPE: _____ PROJECT: _____

CATALOG #: _____

PHOTOMETRY

SRP14-35LW

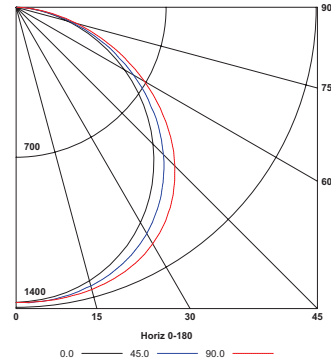
LUMINAIRE DATA

Test No.	19.02118
Description	1' x 4' LED SRP Scaler Panel
Delivered Lumens	4107
Watts	31.97
Efficacy	128
Mounting	Recessed
Spacing Criterion	0° = 1.25 90° = 1.36

ZONAL LUMEN SUMMARY

Zone	Lumens	% Luminaire
0-30	1097	26.7
0-40	1815	44.2
0-60	3239	78.9
0-90	4107	100.0
0-180	4107	100.0

POLAR GRAPH



SRP14-35ML

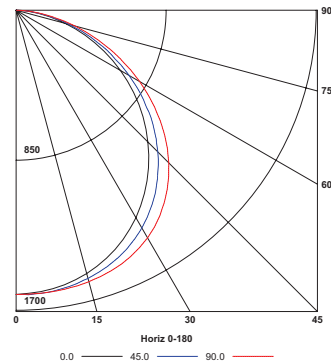
LUMINAIRE DATA

Test No.	19.02152
Description	1' x 4' LED SRP Scaler Panel
Delivered Lumens	4797
Watts	39.32
Efficacy	122
Mounting	Recessed
Spacing Criterion	0° = 1.25 90° = 1.36

ZONAL LUMEN SUMMARY

Zone	Lumens	% Luminaire
0-30	1281	26.7
0-40	2121	44.2
0-60	3784	78.9
0-90	4797	100.0
0-180	4797	100.0

POLAR GRAPH



SRP14-35HL

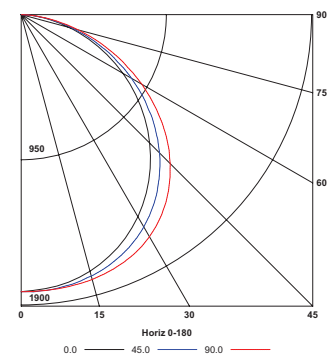
LUMINAIRE DATA

Test No.	19.02090
Description	1' x 4' LED SRP Scaler Panel
Delivered Lumens	5406
Watts	43.27
Efficacy	125
Mounting	Recessed
Spacing Criterion	0° = 1.25 90° = 1.36

ZONAL LUMEN SUMMARY

Zone	Lumens	% Luminaire
0-30	1443	26.7
0-40	2389	44.2
0-60	4263	78.9
0-90	5406	100.0
0-180	5406	100.0

POLAR GRAPH



ADDITIONAL INFORMATION

DTS WIRING DIAGRAM (0-10V DIMMING DRIVER SHOWN)

