

FEATURES

- Efficiently lights any application requiring enclosed and gasketed fixtures, such as catwalks, manufacturing areas, and refineries
- High quality, long life light fixture that only uses a total of 25 watts
- Four available mounts (Pendant, Ceiling, Wall and Stanchion)
- -30°C to 40°C rated for ambient temperature
- Up to 71 LPW



*Shown with optional cast guard



SPECIFICATIONS

CONSTRUCTION

- Four available mounts (Pendant, Ceiling, Wall and Stanchion)
- Die-cast socket body containing the LED driver and circuit board
- High quality gray polyester powder coat
- Low copper alloy die-cast aluminum

ELECTRICAL

- High quality COB LEDs
- Single LED driver
- 25 Watts
- 120–277V universal voltage
- Thermal code of T6

CERTIFICATIONS

- CSA tested to UL1598 Wet Location
- UL844 Class I, Division 2, Group A, B, C & D

WARRANTY

- 5 year warranty

OPTICS

- Frosted glass globe for general lighting needs

ORDERING GUIDE

Example: VTH-5K-G-U-P2-GR

CATALOG #

VTH	5K	G	U	Mount	Hub	Guard	GR
Model	Color Temp	Optics	Voltage				Color
VTH Hazardous Location Vaportite	5K 5000K	G Frosted Glass Globe	U 120–277V	P Pendant X Ceiling W Wall D Stanchion	1 ½" (for P, X & W) 2 ¾" (for P, X & W) 4 1¼" (for D only)	G Die-cast Guard (Optional)	GR Gray

Accessories (Order Separately)

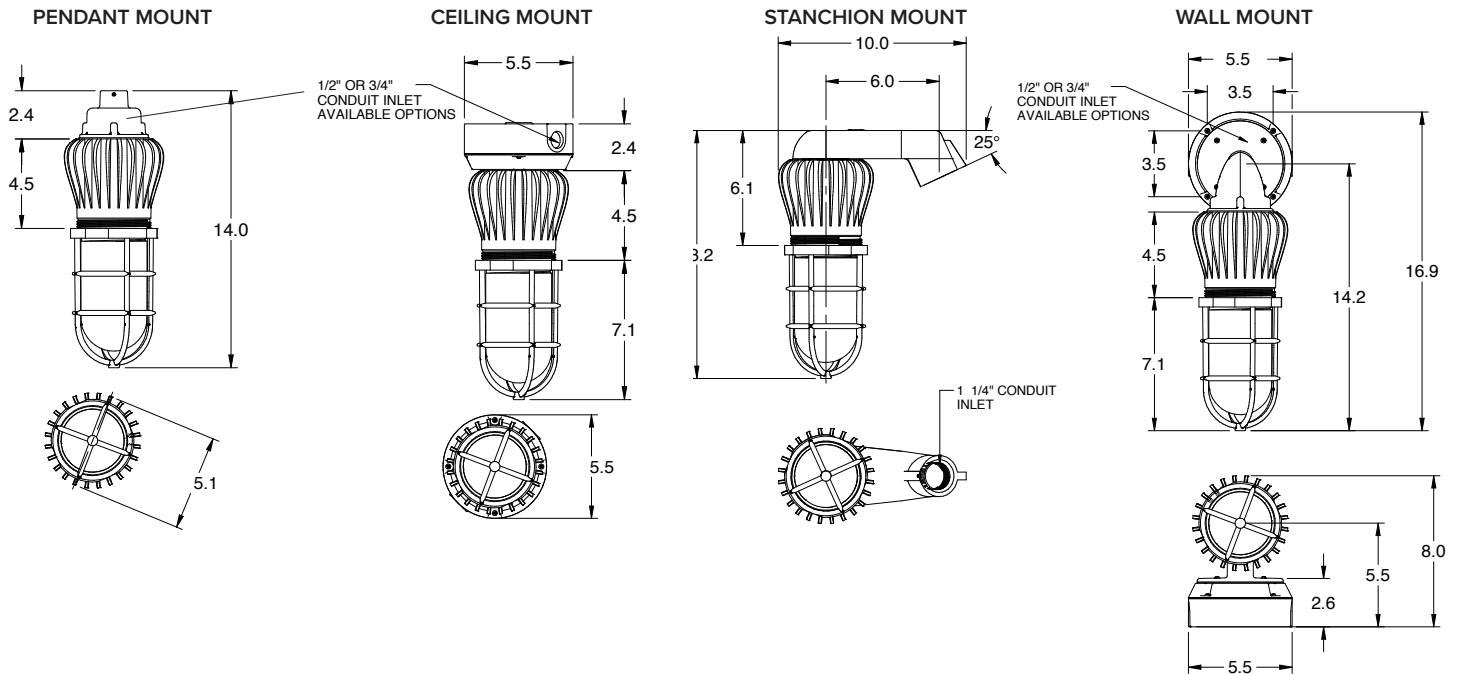
<input type="checkbox"/>	93084724	Frosted Glass Lens
<input type="checkbox"/>	VCG-15	Die-cast Globe Guard

KEY DATA	
Lumen Range	1402–1940
Wattage	27.4
Efficacy Range (LPW)	51–71
Reported Life (Hours)	60,000/L70

DELIVERED LUMENS

Fixture	Test Number	Total Lumens	Input Watts	Lumens Per Watt	Color Temp	CRI	Spacing Ratio	Amp Draw			
								120V	280V	240V	277V
VTH-5K-G-U-P2-GR	19046	1940	25	71	5000K	70	1.3	0.23	0.13	0.12	0.1
VTH-5K-G-U-P2-G-GR	19047	1402		51							

DIMENSIONS



PHOTOMETRY

VTH-5K-G-U-P2-GR

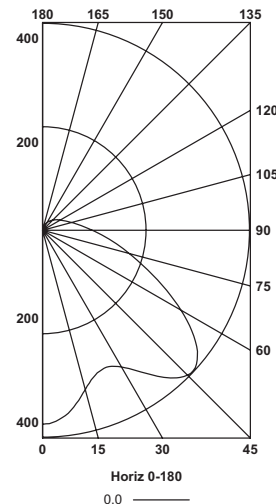
LUMINAIRE DATA

Test No.	19046
Description	Vaportight Led Hazardous Location, Specialty Cast aluminum housing with frosted glass lens enclosure
Delivered Lumens	1940
Watts	27.42
Efficacy	71
Mounting	Surface
Spacing Criterion	0° = 1.33 90° = 1.33

ZONAL LUMEN SUMMARY

Zone	Lumens	% Luminaire
0-30	262	13.5
0-40	473	24.4
0-60	1094	56.4
0-90	1669	86.1
0-180	1940	100.0

POLAR GRAPH



PHOTOMETRY (CONTINUED)

VTH-5K-G-U-P2-G-GR

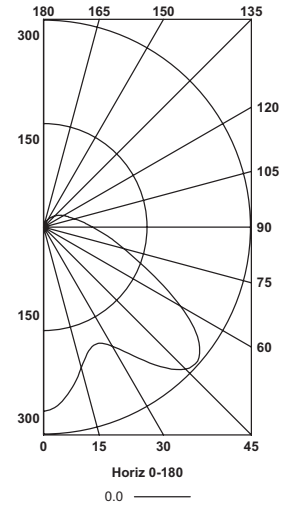
LUMINAIRE DATA

Test No.	19047
Description	Vaportight Led Hazardous Location, Specialty Cast aluminum housing with frosted glass lens enclosure
Delivered Lumens	1402
Watts	27.44
Efficacy	51
Mounting	Surface
Spacing Criterion	0° = 1.02 90° = 1.02

ZONAL LUMEN SUMMARY

Zone	Lumens	% Luminaire
0-30	172	12.2
0-40	315	22.5
0-60	778	55.5
0-90	1187	84.6
0-180	1402	100.0

POLAR GRAPH



ADDITIONAL INFORMATION

CONE OF LIGHT TABULATION

Mounting Height (Feet)	Footcandles at Nadir	Diameter (Feet)
4.00	23.4	5.37
6.00	10.4	8.05
8.00	5.85	10.7
10.0	3.75	13.4
12.0	2.60	16.1
14.0	1.91	18.8
16.0	1.46	21.5