

FEATURES

- Available in round and square version
- Reduces maintenance by delivering over 200,000 hours of projected life
- Consumes only 55 watts and is designed to replace up to 250 watt HID systems
- Can be used with 0–10V current-sinking control devices (occupancy sensors, external dimmers, etc)
- Cast LED housing is designed for easy removal and access to driver compartment
- Low-profile, ultimate solution in LED recessed canopy lighting applications



SPECIFICATIONS

CONSTRUCTION

- Die cast aluminum LED housing provides direct heat exchange between the LED light engine and the cool outdoor air
- Mounted with two key-slotted screws for easy installation and removal
- Galvanized steel recessed housing mounts to 1/2" EMT conduit, contains driver compartment and separate line voltage and dimming wiring compartments
- Drivers mounted to removable tray accessible from beneath for easy services
- Optical one piece cartridge system consisting of an LED engine, LED lamps, optics, gasket and stainless steel bezel
- Die cut foam silicone gasket ensures a weather-proof seal around each individual LED

ELECTRICAL

- 100–277V, 50–60 Hz (UNV)
- Power factor is $\geq .90$ at full load
- Comes standard with 0–10 OV dimming capability, with flicker-free dimming to 10%. Must contact factory to request wiring leads for purpose of external dimming controls
- Component-to-component wiring within the luminaire may carry no more than 80% of rated load and is certified by UL for use at 600VAC at 90°C or higher
- Surge protection - 20kA
- Dimming Drivers are standard and dimming leads are extended out of the luminaire unless control options require connection to the dimming leads. Must specify if wiring leads are to be greater than the 6" standard.

CERTIFICATIONS

- The luminaire shall be NRTL certified to UL 1598 and 8750 standards for use in wet locations in outdoor canopies

WARRANTY

- 5 year warranty
- See Current Standard Warranty for additional information

KEY DATA	
Lumen Range	5423–6267
Wattage Range	55
Efficacy Range (LPW)	100–115
Fixture Projected Life (Hours)	L70>704K
Weights lbs. (kg)	11 (5.0)

ORDERING GUIDE
Example: CLO-24L-55-3K7-5R-UNV-SQ-DBT

 CATALOG #

Model	Engine - Watts	LED Color	Optics	Voltage	Style Options	Color
CLO Ceileo	24L-55 55 Watts - LED array	3K7 3000K 4K7 4000K 5K7 5000K	5x5 Aisle Lighter 5R Type V, Rectangular 5QM Type V, Square Medium 5QN Type V, Square Narrow 5W Tpe V, Round Wide 3x5 Vertical Flood DF Diffused Lens	UNV 120-277V	RD Round SQ Square	BLT Black Matte Textured BLS Black Gloss Smooth DBT Dark Bronze Matte Textured DBS Dark Bronze Gloss Smooth GTT Graphite Matte Textured LGS Light Grey Gloss Smooth PSS Platinum Silver Smooth WHT White Matte Textured WHS White Gloss Smooth VGT Verde Green Textured Color Option CC Custom Color

PERFORMANCE DATA

# LED'S	DRIVE CURRENT (MILLIAMPS)	SYSTEM WATTS	DISTRIBUTION TYPE	5K (5000K nominal, 70 CRI)					4K (4000K nominal, 70 CRI)					3K (3000K nominal, 70 CRI)				
				LUMENS	LPW ¹	B	U	G	LUMENS	LPW ¹	B	U	G	LUMENS	LPW ¹	B	U	G
24	700mA	55W	5X5	6089	112	N/A	N/A	N/A	6213	114	N/A	N/A	N/A	5716	105	N/A	N/A	N/A
			5R	6025	111	3	1	3	5147	113	3	1	3	5655	104	3	1	3
			5QM	6038	111	3	1	1	6161	113	3	1	1	5668	104	3	1	1
			5QN	6142	113	2	0	0	6267	115	2	0	0	5766	106	2	0	0
			5W	5902	108	3	1	1	6022	111	3	1	1	5541	102	3	1	1
			3X5	5777	106	N/A	N/A	N/A	5895	108	N/A	N/A	N/A	5423	100	N/A	N/A	N/A

¹ Lumen values are from photometric tests performed in accordance with IESNA LM-79-08. Data is considered to be representative of the configurations shown. Actual performance may differ as a result of end-user environment and application

PROJECTED LUMEN MAINTENANCE

AMBIENT TEMP.	0	25,000	50,000	1TM-21-11 60,000	100,000	Calculated L70 (HOURS)
25°C / 77°F	1.00	0.98	0.97	0.96	0.94	>704,000

¹ Projected per IESNA TM-21-11
² Data references the extrapolated performance projections for the base model in a 25°C ambient, based on 10,000 hours of LED testing per IESNA LM-80-08

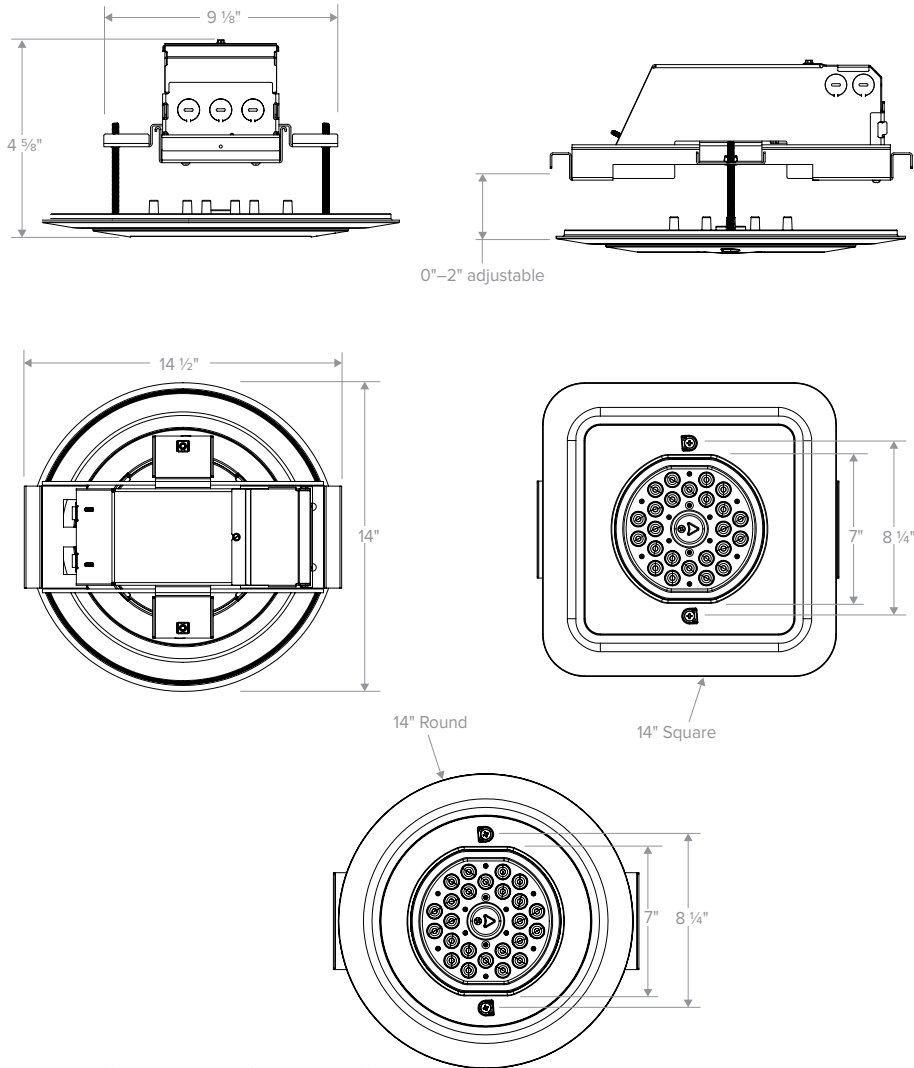
ELECTRICAL DATA

# OF LEDS	NUMBER OF DRIVERS	DRIVE CURRENT (mA)	INPUT VOLTAGE (V)	OPER. CURRENT (Amps)	SYSTEM POWER (Watts)
24	1	700 (mA)	120	0.48	57.0
			277	0.21	57.0

AMBIENT TEMPERATURE		LUMEN MULTIPLIER
0°C	32°F	1.02
10°C	50°F	1.01
20°C	68°F	1.00
25°C	77°F	1.00

Use these factors to determine relative lumen output for average ambient temperatures from 0-50°C (32-122°F)

DIMENSIONS



ADDITIONAL INFORMATION

PRODUCT VIEWS

