



CLL Series

CONCEALED LOW LEVEL LED EMERGENCY LIGHT

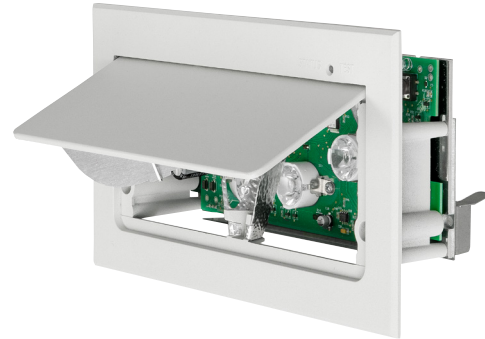
DATE: _____ LOCATION: _____

TYPE: _____ PROJECT: _____

CATALOG #: _____

FEATURES

- Designed specifically for low level application at 18" above floor level
- Includes Self-Test, Self-Diagnostics with optional 15 min. Time Delay
- LED array with 3 each 3-watt LEDs providing 311 absolute lumens
- 6500K color temperature
- LED life-cycle of 10,000 hours
- Dual-voltage field selectable 120 or 277V AC input
- Rated for 2-hour runtime with Sealed Lead Acid or Nickel Cadmium Batteries
- Application temperature from 10°C to 40°C
- Optional Remote Test Transmitter for ease of testing



SPECIFICATIONS

APPLICATION

- The CLL series is a concealed and recessed, self-contained emergency light with fully automatic operation
- Applications include small and large open floor plans, long hallways, and areas where obtrusive surface mounted emergency lighting is not desirable
- Designed for low level pathway lighting

CONSTRUCTION

- Textured white powder coat finish
- Lamp head housing constructed 1/8" die-cast aluminum
- 20 ga. steel back box, IC Rated

INSTALLATION

- Recessed mounting in wall or ceiling
- Rough-in kit can be ordered separately
- Recessed depth of 3"

ELECTRICAL

- 120 or 277VAC input, 60Hz
- Emergency models supplied with Sealed Lead Acid or optional Nickel Cadmium battery
- Microprocessor controlled circuitry

OPTICS

- LED board contains 3 high power LEDs rated for 10,000 hours which provide 311 lumens, LED color temperature of 6500K
- Optics provide 40' spacing on a 6' path when mounted at 18" from floor

COMPLIANCES

- UL924 Listed
- NFPA 101 and NFPA 70
- OSHA
- NYC Approved, Calendar # 51285

WARRANTY

- 3 year full unit warranty

KEY DATA	
Lamp Color	6500K
Total Lamp Output	311
System Efficacy (LPW)	33
Rated LED Lifecycle (Hours)	10,000



CLL Series

CONCEALED LOW LEVEL LED EMERGENCY LIGHT

DATE: _____ LOCATION: _____

TYPE: _____ PROJECT: _____

CATALOG #: _____

ORDERING GUIDE

Example: CLL-NTD

CATALOG # _____

CLL		Battery Type		Options		Accessories (Order Separately)	
Model							
CLL	Concealed Low Level LED Emergency Light	Blank	SLA	XK	Less Rough-in Kit ¹	CLRT	Remote Testing Transmitter
		N	NiCad	TD	15 min. Time Delay	CLLRK	CLL Rough-In Kit

Notes:

- 1 To order rough-in kit only for early installation, add -XK option suffix to CLL model and order CLLRK accessory separately

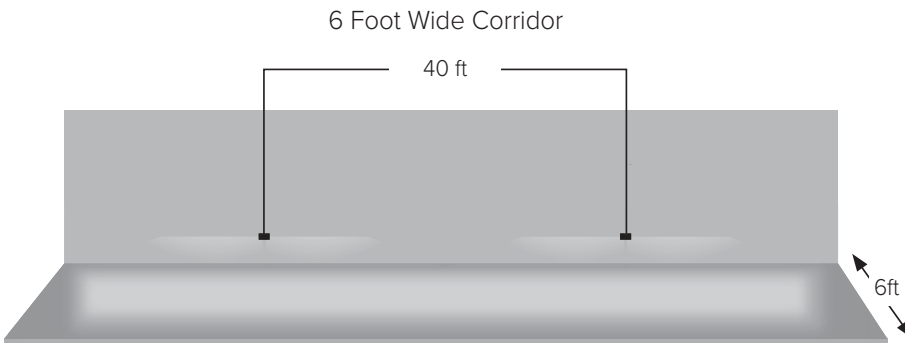
SELF-TEST/SELF-DIAGNOSTICS

- External push-to-test switch and AC-on indicator
- AC Lock-out circuit
- Low voltage battery disconnect-CHECK
- For emergency models, Self-diagnostics monitors LED driver circuit, battery capacity, transfer/charger function and door status, and displays any fault detection by means of a flashing code
- Self-Test feature automatically runs a 30 sec. test once every 28 days. Multi-color LED indicator provides visible fault detection and charging status
- User initiated 30 sec., or 90-minute system test feature
- Automatic unit transfer in brown-out conditions (below 80% of nominal AC input voltage)

INPUT POWER REQUIREMENTS

Model		Watts	Amps
CLL	120VAC	10	0.1
	277VAC	10	0.1
CLL-N	120VAC	2	0.1
	277VAC	2	0.1

APPLICATION INFORMATION



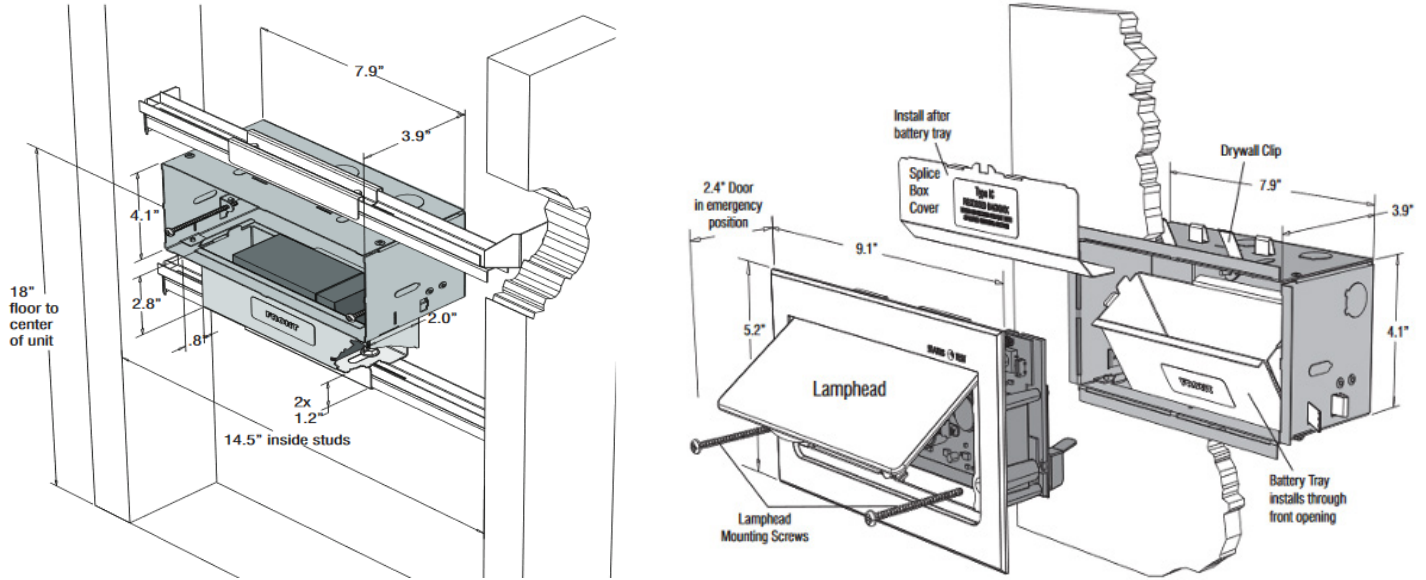
Recommended spacing's based on requirements for meeting the Life Safety Standard minimum illuminance of 0.1 fc and average illuminance of 1.0 fc. Assumes that the fixtures are wall mounted 18" above the floor in a corridor 6' wide with 8' ceiling height and reflectances of 80/50/20



CLL Series

CONCEALED LOW LEVEL LED EMERGENCY LIGHT

DIMENSIONS



PHOTOMETRY

CLL

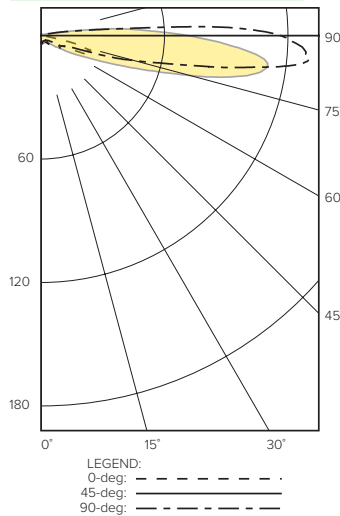
LUMINAIRE DATA

Test No.	ITL67190
Description	Concealed Low Level LED Emergency Light
Watts	9.49
Efficacy	32.8 Lm/W
Mounting	Recessed Wall
Spacing Criterion	
0-DEG	3.3
90-DEG	1.5
180-DEG	0.8

ZONAL LUMEN SUMMARY

Zone	Lumens	% Luminaire
0-40	4	1.3
0-60	11	3.5
0-90	273	87.8
0-180	311	100.0

POLAR GRAPH



CANDELA DISTRIBUTION

Angle	Candela (0.0)
0	3
5	3
15	3
25	3
35	4
45	6
55	10
65	13
75	19
85	2
90	2