



Curvista

ARCHITECTURAL DIE CAST EXIT SIGN

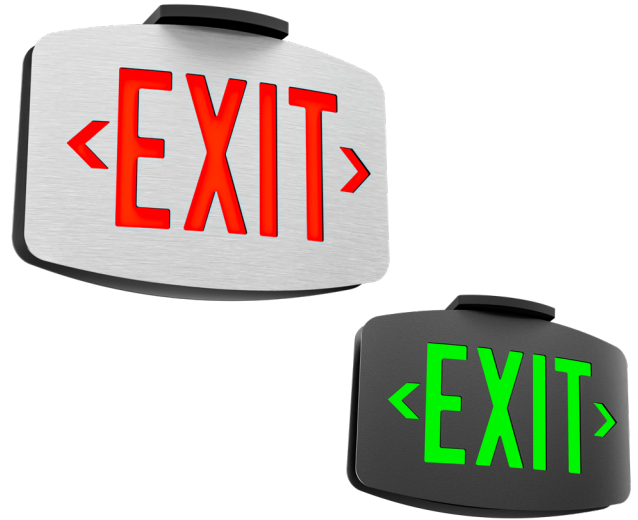
DATE: _____ LOCATION: _____

TYPE: _____ PROJECT: _____

CATALOG #: _____

FEATURES

- High-performance architectural exit sign featuring elegant curves for an elevated visual appearance
- Durable, die-cast aluminum housing with no visible hardware
- Available in Black with Brushed Aluminum face, Black, or White finishes
- Versatile Wall, Ceiling, or End mounting with included curved canopy
- Easy to install with precision, snap-together design and retention "hinges"
- Bright, uniform illumination with long-life LEDs and color matched diffusers
- 120/277V AC or Emergency operation with maintenance-free Lithium Iron Phosphate battery
- Full suite of options available including Spectron® Self-Diagnostics with remote laser tester



SPECIFICATIONS

APPLICATION

- Curvista CRV series seamlessly blends premium performance and technology with distinguished aesthetic appeal for a harmonious presence in any interior
- Robust, die-cast housing is designed for quick and easy installation
- Reliable electronics provide long life and low energy consumption
- Features include 120-minute runtime standard, AC or Emergency operation with optional Spectron® self-test/self-diagnostic circuitry

CONSTRUCTION

- Housing, exit face and matching canopy constructed of high-strength die-cast aluminum
- Textured powder coat finishes in black, white or black with brushed aluminum face
- Diffuser finish is color-matched silk-screened coating which provides optimized LED light output
- Available in curved single or double face with red or green letters
- Fully concealed, easy break-out chevron knockouts
- Exit stencil with 6" letters and 3/4" stroke

INSTALLATION

- Universal mounting (wall, ceiling, end) to standard 3 1/2" or 4" octagon or square electrical box
- For Wall Mount: Die-cast aluminum backplate includes easily removable universal mounting knockout pattern
- For Ceiling or End Mount: Included die-cast aluminum canopy with universal mounting plate can be attached to the housing at concealed top, right or left side knockout locations
- Mirrored 2-piece clam shell housing design incorporates ball snap interlocks and flexible retention tethers for quick and easy installation

ILLUMINATION

- Exit face illumination is provided by energy saving, red or green LEDs rated for 10-year life cycle
- Quality TIR optics provide precision distribution of light for uniform appearance with no hot spots or striations
- Color-matched red or green silk-screened diffuser includes a reflective white outer coating for optimized LED light output
- Exceeds UL 924 requirement for brightness, uniformity, contrast and run-time

COMPLIANCES

- UL 924 Listed for Damp Location
- NFPA 70
- NFPA 101
- CEC T20 Compliant

WARRANTY

- 5 year full warranty



Curvista

ARCHITECTURAL DIE CAST EXIT SIGN

DATE: _____ LOCATION: _____

TYPE: _____ PROJECT: _____

CATALOG #: _____

ORDERING GUIDE

Example: CRVDRBNEI

CATALOG #

Model		Faces	Letter Color	Finish	Operation	Self-Diagnostic	Options
CRV	Curvista Exit	S Single D Double* <small>* Not for use with wall mounted models</small>	R Red G Green	W White B Black BN Black with brushed face	Blank AC Only E Emergency	Blank None I Spectron® self-testing/self-diagnostic electronics* <small>* For use with emergency models only</small>	AF Audible Flasher ^{1,6} 2C 2 Circuit Operation ^{2,5} FAP Fire alarm panel interface ^{1,3,5,6} FM Flasher module ^{1,6} DC Remote DC operation ^{2,4,5,7}

Notes:

- For use with Spectron® self-diagnostic models only.
- For use with AC models only.
- Operates with 24-Volt AC or DC fire alarm panels.
- For emergency illumination of sign from remote 6-24 VDC power sources.
- DC option may not be specified with -2C or -FAP options.
- AF, -FM and -FAP options may not be specified together.
- DC option is compatible with ELSS product.

Accessories

93157921 Kit, Remote Laser Tester

ELECTRONICS

Available with AC, emergency and Spectron® self-test/self-diagnostic electronics option. Emergency and self-diagnostic models equipped with isolation transformer and fully automatic constant current solid-state charger with maintenance-free lithium iron phosphate battery. Emergency models exceed NFPA life safety code 90-minute minimum run-time (120-minute standard).

All components mounted inside housing. Includes AC-on LED indicator and test switch. Transient/surge protection, low voltage disconnect and AC lock-out features included. Battery re-charge within UL time standards. Includes pre-tinned AC input pigtail leads for quick connection.

SPECTRON® OPTION INCLUDES:

- Self-diagnostics monitors LED status, LED driver circuit, battery capacity and charger function and displays any fault detection by means of a flashing code.
- Multi-color LED indicator provides visible fault detection and charging status .
- Automatic unit transfer in brown-out conditions (below 80% of nominal AC input voltage).
- Re-transfer delay keeps the unit in emergency mode for 15-minutes after the return of AC power to allow time for power stabilization.
- Self-Test feature automatically runs a 1-minute test once a month and an alternating 30 or 90- minute test once every 6 months.
- User initiated 1 or 90-minute system test feature.
- Remote Laser Tester Kit – Spectron enabled units are also provided with a remote self-diagnostics feature which allows test activation with a laser pointer. Kit includes laser pointer, safety glasses, and case. See installation instructions for complete details.

POWER CONSUMPTION (120/277VAC)

Model	120VAC	277VAC
Red AC Only	2.6 watts	2.9 watts
Green AC Only	2.5 watts	2.8 watts
Red Emergency	2.6 watts	2.9 watts
Green Emergency	2.5 watts	2.8 watts

* Wattage figures include LED lamps, transformer and electronics power requirements. LED Lamp assemblies (red or green) consume less than 1 watt

Power Factor, Average: 0.82

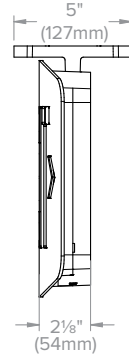
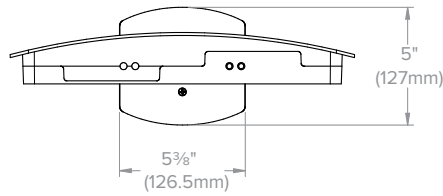
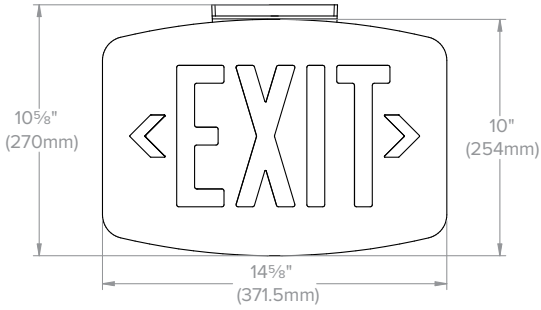
Battery Type: LiFePO4

AC Input: 120/277VAC, 60 Hz. (all models)

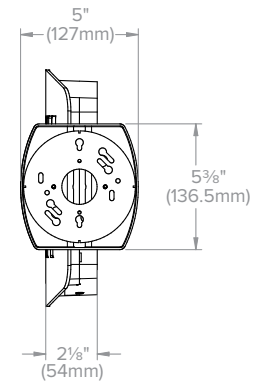
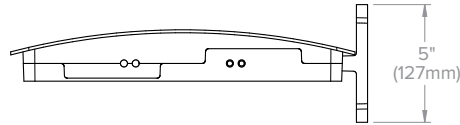
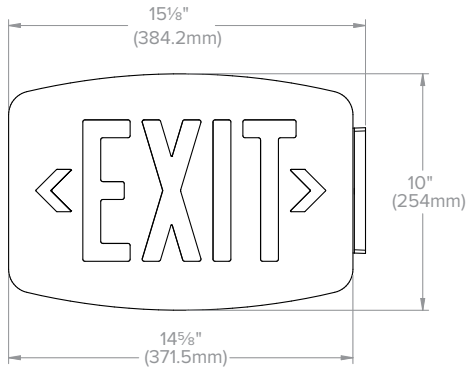
Operating Temperature Range: 10°C to 40°C (50°F to 104°F)

DIMENSIONS

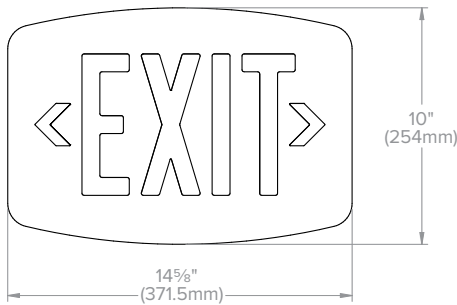
Single Face Ceiling Mount



Single Face End Mount



Single Face Wall Mount





Curvista

ARCHITECTURAL DIE CAST EXIT SIGN

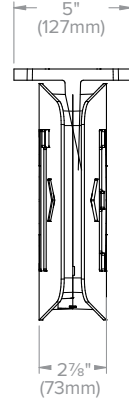
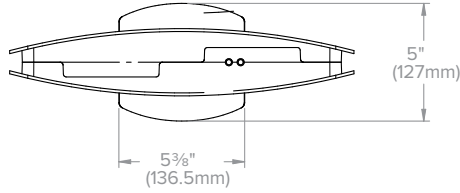
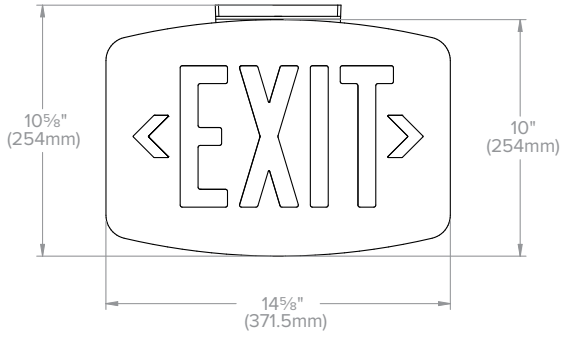
DATE: _____ LOCATION: _____

TYPE: _____ PROJECT: _____

CATALOG #: _____

DIMENSIONS

Double Face Ceiling Mount



Double Face End Mount

