



ELIR Series

INDOOR LED REMOTE FOR ELSS CENTRAL BATTERY

DATE: _____ LOCATION: _____

TYPE: _____ PROJECT: _____

CATALOG #: _____

FEATURES

- Designed specifically for use with the ELSS Central Battery
- Available in Low(372lm), Med(622lm) and High(933lm) lumen output, with multiple unit spacing up to 95'
- 2 or 3 High-Power LED's with adjustable lamp positioning
- Modular LED assembly adjusts for ceiling or wall mount
- White or Black finish



SPECIFICATIONS

APPLICATION

- Remotes do not include a battery which minimizes individual batteries throughout the space
- For use in new construction or retrofit
- For installation in commercial and architectural applications
- Mount from 7' to 20' high
- Small and compact size for architectural settings
- Eliminates battery maintenance in high mount applications

CONSTRUCTION

- Housing and front cover constructed of injection molded thermoplastic

INSTALLATION

- Universal mounting template molded in the back of housing
- Input/output connection through surface conduit or wire entry from outlet box at rear of unit
- Unit mounts to all single gang and standard 3 1/2" and 4" square or octagonal electrical boxes

COMPLIANCES

- Listed to UL924 Standard
- Designed to NFPA101, NFPA70 requirements
- Damp Location Listed
- FCC Certified

WARRANTY

- Full 5 year warranty

ORDERING GUIDE

Example: ELIR2

CATALOG #

Catalog Number	Description
ELIR2	2 LED, 372lmns, 3 watts, white housing
ELIR2HP	2 LED, 622lmns, 6 watts, white housing
ELIR3	3 LED, 933lmns, 8 watts, white housing
ELIR2B	2 LED, 372lmns, 3 watts, black housing
ELIR2HPB	2 LED, 622lmns, 6 watts, black housing
ELIR3B	3LED, 933lmns, 8 watts, black housing

KEY DATA	
Lamp Color	5000K
Total Lamp Output	ELIR3 Wall - 792 lm ELIR2 Wall - 330 lm ELIR2HP Wall - 560 lm
System Efficacy (LPW)	ELIR3 - 96.4 lm/W ELIR2 - 126.0 lm/W ELIR2HP - 97.2 lm/W



DATE: _____ LOCATION: _____

TYPE: _____ PROJECT: _____

CATALOG #: _____

ELIR Series

INDOOR LED REMOTE FOR ELSS CENTRAL BATTERY

Accessories

- ELSS Central Battery
- ELOR Outdoor LED Remote
- ELWR Industrial NEMA 4X/IP66 Remote
- EVEURW4X-DC ELSS Thermoplastic Exit Sign
- EVEURW4X-DC ELSS DC NEMA 4X Exit Sign



ELIR Indoor Remote



ELOR Outdoor Remote



ELWR NEMA 4X Remote



EVE-DC ELSS Thermoplastic Exit Sign



EVE4X-DC ELSS NEMA 4X/IP66 Exit Sign

ELECTRONICS

The ELIR Indoor LED remote includes a current sensitive LED driver module which regulates battery power at 400mA. or 800mA. An input and output connector provides input power to drive the LEDs. The input connection is not polarity sensitive. The output connector allows for multiple remotes to be connected in a daisy-chain. Remotes must be connected within 150' of the Central Battery which provides DC power when normal AC power is lost.

LED Information

CCT: 5000K

CRI: XX

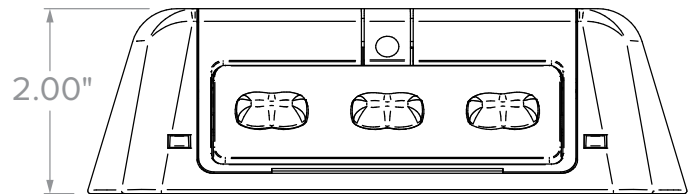
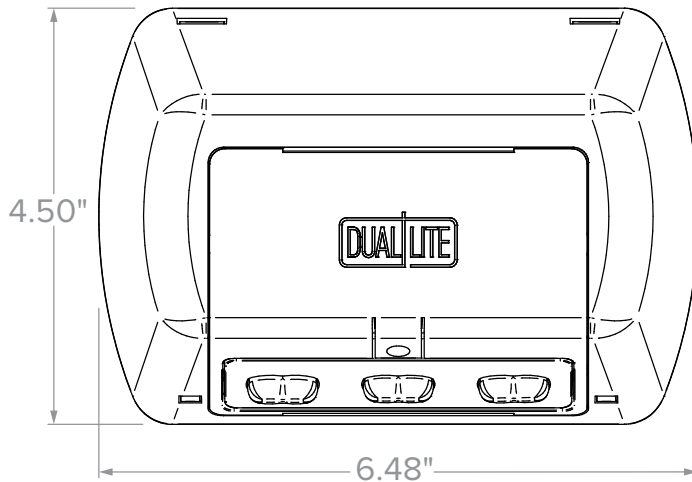
REMOTE LOAD GUIDE



ELIR Indoor Remote

Part Number	Required Watts	Spacing (7.5MH)
ELIR2	3W	30'
ELIR2HP	6W	60'
ELIR3	9W	90'

DIMENSIONS





ELIR Series

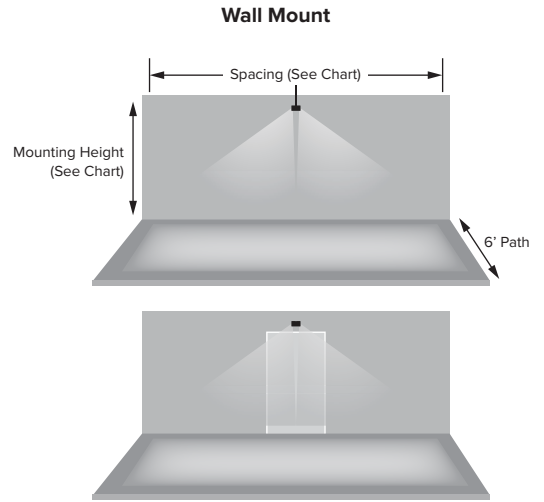
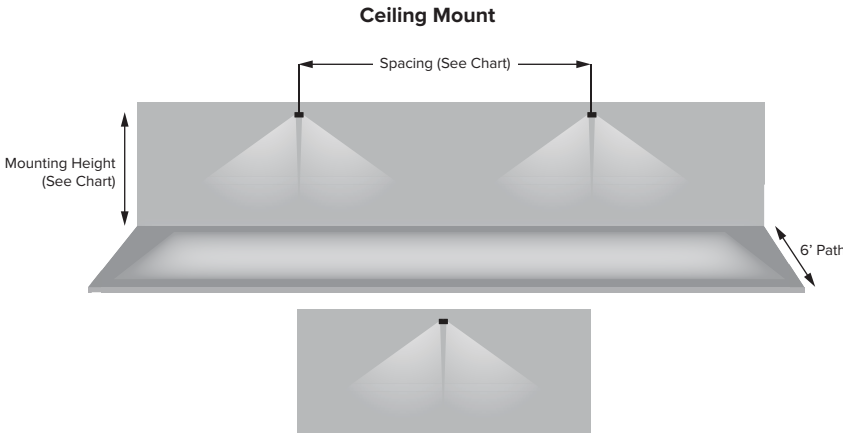
INDOOR LED REMOTE FOR ELSS CENTRAL BATTERY

DATE: _____ LOCATION: _____

TYPE: _____ PROJECT: _____

CATALOG #: _____

APPLICATION INFORMATION



MULTIPLE UNIT SPACING BASED ON 6' PATH

ELIR2	Ceiling Mount	Wall Mount
Mounting Height	10'	7.5'
Max. Spacing @ 1FC avg.	28'	30'

ELIR2HP	Ceiling Mount Ceiling Height = 30', Reflectance = 10/10/10						Wall Mount Refl. = 80/50/20	
Mounting Height	10'	12'	14'	16'	18'	20'	7.5'	12'
Max. Spacing @ 1FC avg.	58'	48'	40'	28'	16'	0'	60'	36'
Max. Spacing @ 1FC min.	48'	38'	34'	24'	12'	0'	36'	24'

ELIR3	Ceiling Mount Ceiling Height = 30', Reflectance = 10/10/10						Wall Mount Refl. = 80/50/20	
Mounting Height	10'	12'	14'	16'	18'	20'	7.5'	12'
Max. Spacing @ 1FC avg.	94'	86'	70'	52'	47'	39'	90'	60'
Max. Spacing @ 1FC min.	50'	50'	48'	52'	36'	24'	44'	32'

Meets Life Safety Code minimum illuminance of 0.1 fc and average of illuminance of 1.0 fc.
Assumes open space with no obstructions, wall mounting shown in above table, ceiling mounting height shown in above table and reflectances of 80/50/20.
Photometry files available on the Dual-Lite web site.

PHOTOMETRY

ELIR2HP CEILING

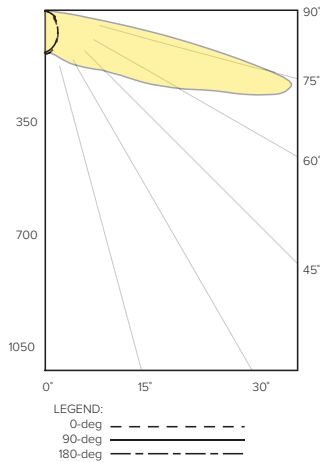
LUMINAIRE DATA

Test No.	21.00432
Description	Indoor Remote
Watts	5.88
Efficacy	96.8 lm/W
Mounting	Surface/Ceiling

ZONAL LUMEN SUMMARY

Zone	Lumens	% Luminaire
0-40	185	32.6
0-60	367	64.6
0-90	569	100
0-180	569	100

POLAR GRAPH



CANDELA DISTRIBUTION

Angle	Candela (0.0)
0	130
5	132
15	117
25	93
35	71
45	48
55	33
65	18
75	7
85	3
90	0



DATE: _____ LOCATION: _____

TYPE: _____ PROJECT: _____

CATALOG #: _____

ELIR Series

INDOOR LED REMOTE FOR ELSS CENTRAL BATTERY

PHOTOMETRY CONTD.

ELIR2HP WALL

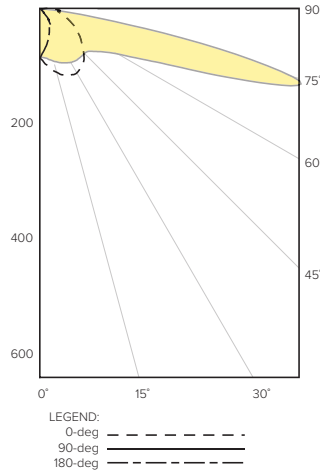
LUMINAIRE DATA

Test No.	21.00431
Description	Indoor Remote
Watts	5.76
Efficacy	97.2 lm/W
Mounting	Surface/Wall

ZONAL LUMEN SUMMARY

Zone	Lumens	% Luminaire
0-40	142	25.3
0-60	308	55
0-90	556	99.2
0-180	560	100

POLAR GRAPH



CANDELA DISTRIBUTION

Angle	Candela (0.0)
0	85
5	95
15	114
25	126
35	124
45	107
55	85
65	63
75	42
85	35
90	24

ELIR3 CEILING

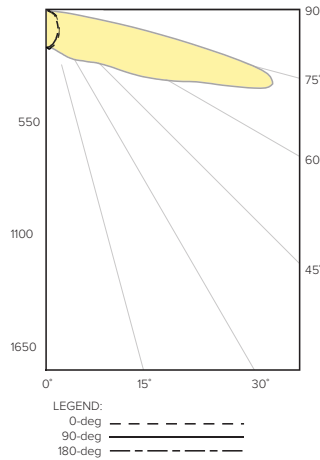
LUMINAIRE DATA

Test No.	21.00158
Description	Indoor Remote
Watts	12.8
Efficacy	97.2 lm/W
Mounting	Surface/Ceiling
Spacing Criterion	
0-DEG	1.04
90-DEG	3.32
180-DEG	0.95

ZONAL LUMEN SUMMARY

Zone	Lumens	% Luminaire
0-40	258	32.1
0-60	513	63.7
0-90	804	99.8
0-180	805	100

POLAR GRAPH



CANDELA DISTRIBUTION

Angle	Candela (0.0)
0	180
5	187
15	165
25	137
35	105
45	79
55	57
65	39
75	16
85	4
90	3

ELIR3 WALL

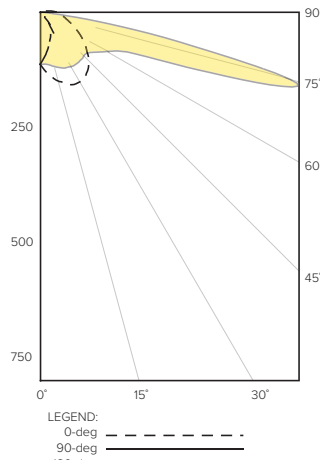
LUMINAIRE DATA

Test No.	21.00159
Description	Indoor Remote
Watts	18.2
Efficacy	96.4 lm/W
Mounting	Surface/Wall
Spacing Criterion	
0-DEG	1.93
90-DEG	1.78
180-DEG	0.67

ZONAL LUMEN SUMMARY

Zone	Lumens	% Luminaire
0-40	190	24
0-60	416	52.5
0-90	779	98.3
0-180	792	100

POLAR GRAPH



CANDELA DISTRIBUTION

Angle	Candela (0.0)
0	113
5	128
15	155
25	173
35	171
45	149
55	118
65	86
75	60
85	45
90	40