



PGR Series

ARCHITECTURAL LED REMOTE

DATE: _____ LOCATION: _____

TYPE: _____ PROJECT: _____

CATALOG #: _____

FEATURES

- Four long-life, high-output LEDs
- LEDs will continue to operate even if 1 or 2 should fail
- Neutral white, 4000K LEDs
- Design optimizes wide area illumination patterns
- No heads to aim, no adjustments to make
- Sturdy die-cast aluminum construction
- Standard electrical box and conduit entry provisions
- 90-minute emergency operation from external 6–12 VDC source
- Fast, easy installation

PG Series



White



Black



SPECIFICATIONS

APPLICATION

- Architectural style for indoor or outdoor application

CONSTRUCTION

- Housing and mounting plate are constructed of 1/8" die-cast aluminum
- Mounting plate also includes a 1/8" closed-cell silicone gasket for watertight seal
- Housing finish is powder coated electro-deposition paint available in four colors: dark bronze, white, platinum silver and black

CONSTRUCTION (CONTINUED)

- The acrylic lens allows 92% light transmission. The reflector is electro-polished aluminum with 95% reflectance

INSTALLATION

- Universal housing knockouts for mounting to standard 3-1/2" and 4" octagon and 4" square electrical boxes
- A 1/2" – 1/4 NPT threaded conduit opening is provided at the top of the housing and sealed with a closure plug
- Back plate mounts to the wall surface using installer supplied hardware
- Housing "snaps" to the back plate by a "pin and socket" arrangement, and is secured with two #8-32 screws

ILLUMINATION

- The unit is illuminated by 4 high power LEDs arranged so that in the event of 1 or 2 LED failures, the unit will continue to operate
- The PGR accepts DC voltage which must be supplied from an external 6-12V DC emergency lighting unit

COMPLIANCES

- Suitable for wet locations
- Designed to NFPA 101, NFPA 70 requirements

WARRANTY

- Full 1 year warranty

ORDERING GUIDE

Example: PGRW

CATALOG # _____

PGR			
Model		Finish	
PGR Architectural LED Remote	W	White	
	B	Black	
	Z	Dark Bronze	
	P	Platinum Silver	



PGR Series

ARCHITECTURAL LED REMOTE

DATE: _____ LOCATION: _____

TYPE: _____ PROJECT: _____

CATALOG #: _____

ELECTRONICS

The PGR is a normally off indoor/outdoor remote.

Upon failure of normal utility power, an external (6-12VDC) emergency power source having transfer logic is required to operate the PGR as an emergency remote (supplied separately).

Number of Lamps: Four high output LEDs

LED Lamplife: 48,000 hrs. at 70% of initial

Lamp Configuration: 4 individually driven LEDs provide illumination. In the event of 1 or 2 LED failures, the remaining LEDs will continue to function.

Lamp Color: Neutral White, 4000K

Color Rendering Index (CRI): 75

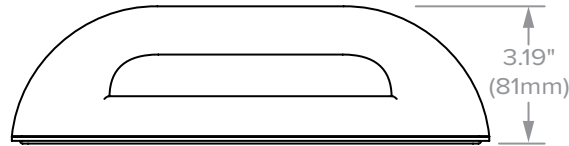
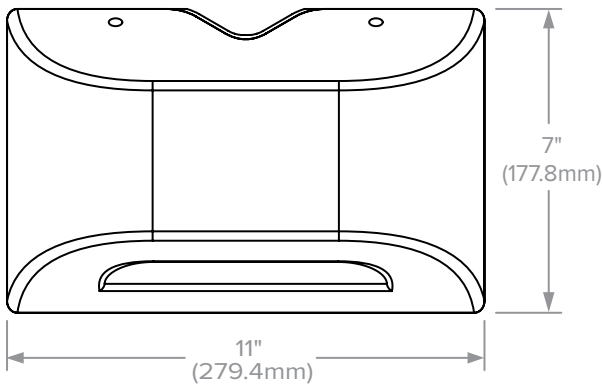
Total Lamp Output: 445 Lumens

Input: 6-12VDC

Operating Temperature Range: -30°C to 50°C (-22°F to 122°F)

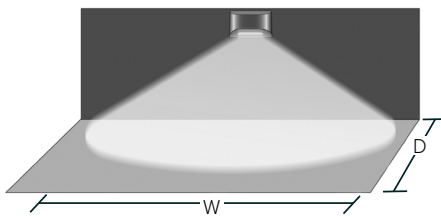
Weight: 3 lbs (1.36 kg)

DIMENSIONS



APPLICATION INFORMATION

Single Unit Coverage



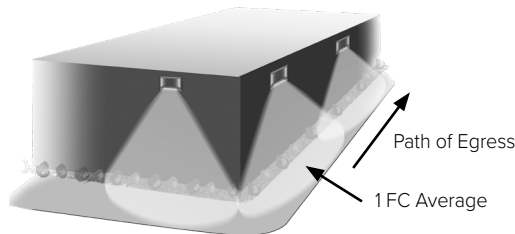
Mounting Height: 9'

Indoor Reflectance: 0/30/10

Outdoor Reflectance: 80/50/20

	Indoor	Outdoor
1 FC Average (WxD)	35' x 10'	29' x 10'
1 FC Minimum (WxD)	11' x 10'	10' x 10'

Multiple Unit Spacing



Mounting Height: 9'

Illuminated Path Depth: 6'

Outdoor Reflectance: 0/30/10

Indoor Reflectance: 80/50/20

	Indoor	Outdoor
1 FC Average (WxD)	49'	37'
1 FC Minimum (WxD)	19'	16'