

# Daintree® Wireless Controls

## People Counting Sensor (WMZ10)

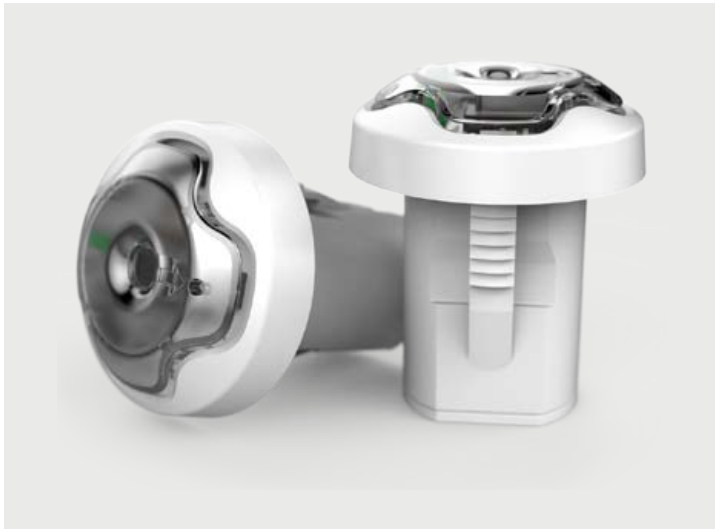
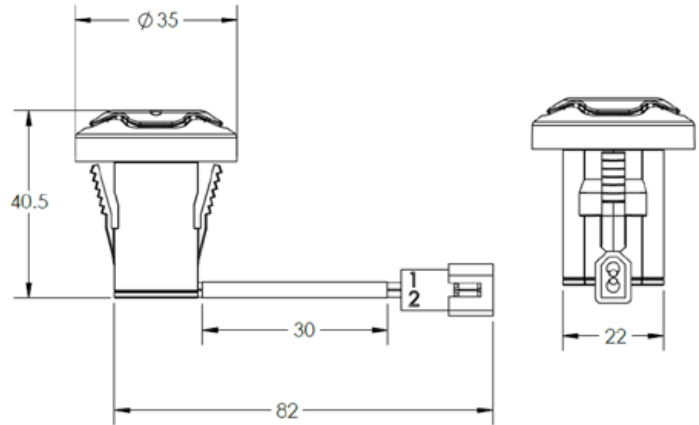
Project Name \_\_\_\_\_

Date \_\_\_\_\_ Type \_\_\_\_\_

Catalog Number \_\_\_\_\_

### Product Dimensions

**Note:** Dimensions shown in mm.



### Description

The **WMZ10** utilizes the Daintree Networked wireless platform for dimmable light luminaire control, daylight harvesting, occupancy detection and non-camera based people counting. Additionally, the WMZ10 is capable of advertising BLE beacons to enable Indoor Positioning Solutions.

The WMZ10 can be installed either integral in the LED fixture or in a standalone configuration and is suitable for Plenum use. The WMZ10 is able to provide improved occupancy detection with true presence detection, a feature that is not available with standard occupancy sensing technology. When installed within an LED fixture, the WMZ10 enables wireless dimmable light and on/off luminaire control.

- Uses thermopile array technology to identify people count
- Advanced people count algorithm runs locally on the sensor
- Non-camera based, no personally identifiable information
- Zigbee enabled with integral BLE beacon
- No expensive ethernet cable wiring required
- Data made available via Haystack API framework

The WMZ10 People Count Sensor can be powered by a range of compatible power supplies.

*The list of compatible power supplies can be found on page 3*

### Specifications

Sensor Type	People Counting, Occupancy, Light
Dimensions	See product dimensions on pg 2
Weight	0.016 kg
Voltage Rating	9.5 - 24 VDC, Class 2*
Current Consumption	50 mA
Ambient Temperature: <i>People Counting</i>	10 - 30°C (indoor)
Ambient Temperature: <i>Operating</i>	0 - 50°C (indoor)
Status Indicator:	LED pattern indicates network join status
Connections:	See installation instructions
Mounting:	Knockout: Trade Size 1/2, Diameter 7/8" Panel: Hole Diameter 7/8" (22mm)
Mounting Height:	9 - 11 ft., recommended to be spaced 8 ft. apart on the x,y grid
Warranty:	5 years @ 35°C Ambient / 40% RH

**\*Note:** See Power Supply Compatibility List on page 3 for power supplies that are approved for use with the WMZ10.



# Daintree® | People Counting Sensor (WMZ10)

## Ordering Information

SKU	Description	Model Number
93119594G	WMZ10 Sensor Kit - CE	LSAATMFM6 CE
93306714	WMZ10 Sensor Kit - UL	LSAATMFM6 UL

## Sensor Installation and Coverage



The sensor shall be installed and commissioned by a trained individual. Please reference the installation guide for more detailed instructions.

Please note, that the sensor shall be installed with the arrow (on lens) facing North. It is important that the sensors are all oriented in the same direction to ensure optimal performance.

Mounting Height (ft.)	Maximum Coverage (sq. ft.)
9	64 (8 ft. x 8 ft. Square)
10	81 (9 ft. x 9 ft. Square)
11	100 (10 ft. x 10 ft. Square)

## Product Certifications

FCC ID: 2AS3F-WMZ10

IC: 25008-WMZ10



For a complete list of the harmonized standards that this product is in conformity with, please see this product's EU Declaration of Conformity on [LED.com](http://LED.com)

# Daintree® | People Counting Sensor (WMZ10)

## Compatible Power Supplies - Standalone Configuration

Supply Name	Pole	Maximum Number of WMZ10 per PSU
WA100-PM	NA (CSA)	3
WGA100	NA (CSA)	3
LCABAOTWUNGALV	NA (cUL)	4
UVPPHD+	NA (cUL)	6
Lunatone DALI PS	EU (CE) & NA UL Recognized	6
Tridonic DALI PS1	EU (CE)	5
Tridonic DALI PS2	EU (CE)	6
Tridonic DALI PS3	EU (CE)	2

## Compatible Power Supplies - Fixture Integrated

Supply Name	Pole	Maximum Number of WMZ10 per PSU
CID Drivers: GED36MCC2P700	NA (cUL)	1
CID Drivers: GED50MCC2P1000	NA (cUL)	1
LCABAOTWUNGALV	NA (cUL)	1
CID Drivers: GED100MCC2P480	NA (cUL)	1
Interface Module: GEMOD/DB010	NA (cUL)	1
LCA Kit: LCAMBA0SQFM	NA (cUL)	1
Daintree Fixtures with Control Option "SQ"	NA (cUL)	1

**Note:** Only Power Supplies listed on the compatibility matrix are approved to be used with the WMZ10

**Note:** Connect the WMZ10 only to the approved Power Supplies listed above. PSU must be less than 15VA. Failure to comply will void the UL listing and the manufacturer's warranty.

**Note:** The maximum wire length of the connection between the WMZ10 and compatible power supply shall be less than 30 meters.

