

# Daintree® Wireless Controls

## RRU-X-UNV | Automatic Load Control Relay

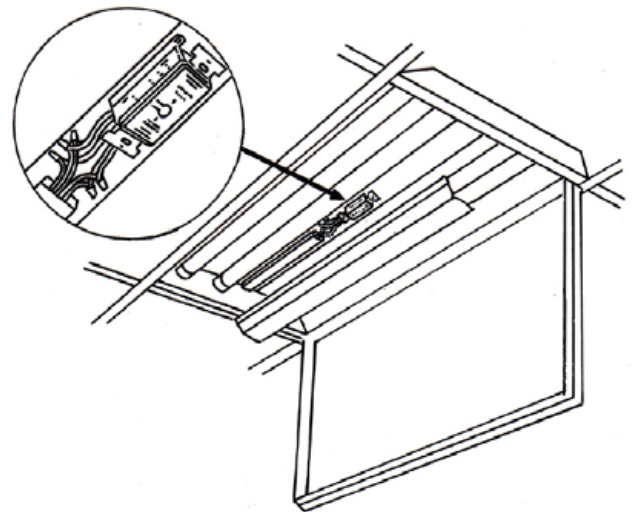
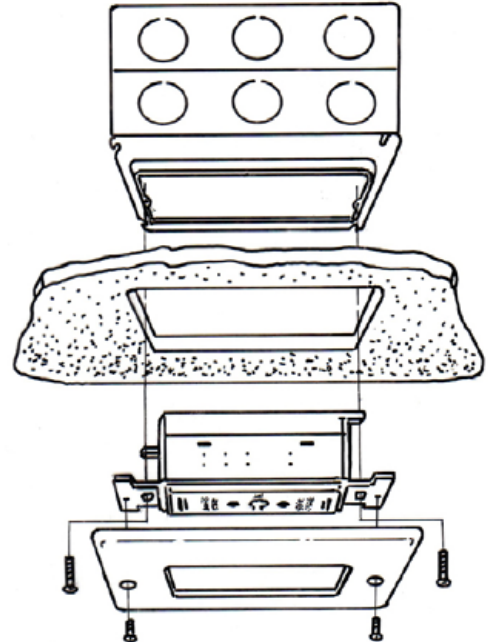
Project Name \_\_\_\_\_

Date \_\_\_\_\_ Type \_\_\_\_\_

Catalog Number \_\_\_\_\_



## Mounting



## Description

The RRU-X-UNV includes a 20A rated high voltage Form C (N/O+N/C) relay and a low voltage Form A (N/O) relay and is UL924 Listed for emergency lighting control applications. The RRU-X-UNV can simultaneously bypass both a line voltage switch and a 0-10V dimming signal, ensuring that an emergency fixture illuminates at full brightness during a utility power interruption. Its small size makes it ideal for junction box mounting in wireless or other modern lighting control systems. An integral test switch and LED allow for quick testing and verification of proper function.

## Features

The powerful RRU-X-UNV includes:

- 20A Rated N/O & N/C Used for bypassing line voltage switching, occupancy sensors or dimmers. Also used as dry contact to signal relay panels or BMS systems or utility power interruption
- 1A Rated N/O contact. Used for bypassing low voltage dimming or switching signals from room controllers or dimmers
- Integral test switch and green utility power indicator
- UL924 Listed
- Fire alarm override input

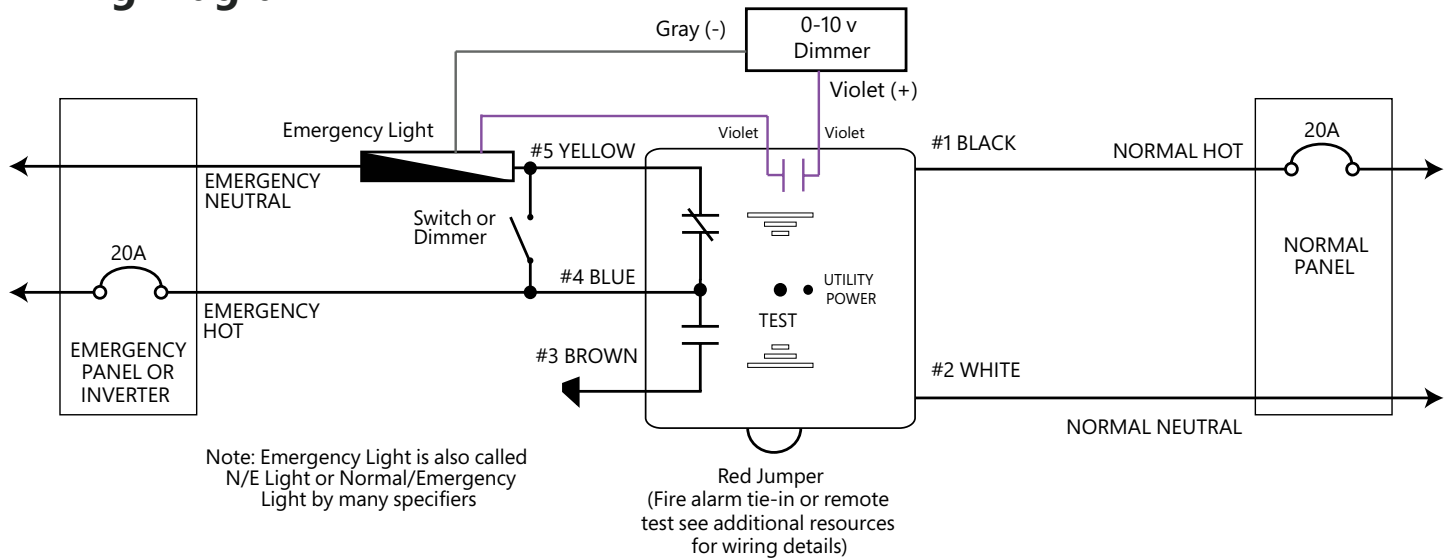


## Ordering Information

SKU	Product Description
RRU-X-UNV	Shunt Relay for 0-10V and Line Voltage Applications (DPDT)

# Daintree® | RRU-X-UNV, Automatic Load Control Relay

## Wiring Diagram



## Technical Data

### Product Specifications

ELECTRICAL	<b>Model No:</b>	RRU-X-UNV
	<b>Sensing Input:</b>	120V - 277V
	<b>Load Rating</b>	120V - 277V (20A)
	<b>Ballast Load Rating:</b>	20A (120-277V) (Contact #1)
	<b>Incandescent Load:</b>	1200W (120V) / 1500W (277V)
	<b>Warranty:</b>	5 Year Replacement Warranty
	<b>Load:</b>	Contact #1 20A (120-277V) Contact #2 1A (30V DC)
MECHANICAL	<b>Mounting:</b>	Universal (Flush, Junction Box, Panel, and Fixture Mount)
	<b>Rating:</b>	UL94V-0A, Plenum Rated, Damp Location Rated
	<b>Shipping Weight/Color:</b>	12 oz. / White
	<b>Temperature:</b>	32°F - 140°F (0°C - 60°C)
	<b>Size:</b>	1.7" x 3" x 1.2" (W x H x D body)

## Product Certifications

UL924 Listed

