

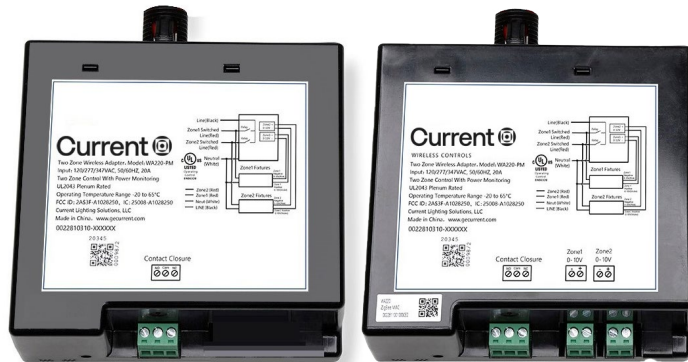
Daintree® Wireless Controls

WA200 Series Room Controller

Project Name _____

Date _____ Type _____

Catalog Number _____

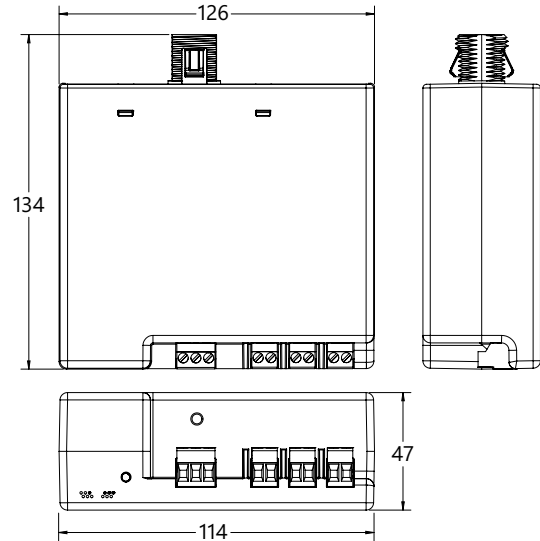


Class 1

Class 2

Product Dimensions

Note: Dimensions shown in mm.



Description

The **WA200** Series Room Controllers provide zonal room control of any 0-10V fixtures and plug loads in commercial application spaces. The Room Controllers can control any manufacturer's 0-10V fixtures and communicate with Daintree Wireless Lighting Control products.

The WA200 series room controllers include single, dual and three zone configurations. The WA200 provides ON/OFF and/or 0-10V dimming for lighting fixtures control or ON/OFF for plug load based on occupancy, ambient light level, manual control.

- Up to 50% additional energy savings across lighting, plug load control and more
- Secure wireless communication between lighting sensors, adapters, wall controls and plug loads provides fast installation
- Communicates to Daintree EZ Connect or Daintree Networked nodes.
- The WA200 controllers have a Class 2 auxiliary form C relay that can be used to intergrate with BMS system providing room occupancy status via a NO or NC dry contact.
- Based on the 0-10V dimming wiring the WA200 controllers are Class 1 (WA200-PM-C1 dimming wires share same run as line voltage wires) or Class 2 (WA200-PMC2 dimming wires are separated from line voltage wires).

Specifications

Dimensions	125 mm X 114.5 mm X 47 mm
Operating	-4°F to 149°F (-20°C to 65°C) indoor use (or inside non-metallic waterproof enclosure).
Mounting	Snap-in 1/2" nipple for junction box mount
Switched Output	One, two or three outputs with 20A total current @ 120-347V AC (A+B+C < 20 A)
Power	120-347V AC 50/60 Hz
Ballast/Driver control	One; two or three zones ON/OFF; 0-10V dimming
Plug load control	20A @ 120V
Dimming Output	One, two or three 0-10V outputs; 100 mA sync Max current
Binary Output	Auxiliary form C relay; 0.5A@30VDC
Radio Properties	2.4GHz; +7 dBm transmit power
Compliance	UL plenum rated, UL 924
Warranty	5 years

Product Certifications

FFCC/IC IDs Contains FCC ID: 2AS3F-A1028250
 Contains IC: 25008-A1028250



UL Listed E486320



LED.com

© 2024 Current Lighting Solutions, LLC. All rights reserved. Information and specifications subject to change without notice. All values are design or typical values when measured under laboratory conditions.

Daintree® | WA200 Series Room Controller

Product Overview

Daintree Wireless controls provide a highly scalable solution to address evolving environmental regulations and transform spaces into intelligent environments for buildings of all sizes. The WA200 Series room controllers work on the Daintree Networked and/or Daintree EZ Connect wireless lighting control platform. Daintree EZ Connect can provide zonal or room-based commissioning via the Daintree EZ Connect app, which is available on the Apple® app store. Daintree Networked can be commissioned via the Daintree Controls Software (DCS) and can provide scheduling, monitoring, and data utilization of single or multi-site locations.

Ordering Information

Product Code	SKU	Product Description
WA210-PM-C2	93145163	Wireless Single-Zone RC Class 2
WA220-PM-C2	93145164	Wireless Two-Zone RC Class 2
WA230-PM-C2	93145165	Wireless Three-Zone RC Class 2
WA210-PM-C1	93304417	Wireless Single-Zone RC Class 1
WA220-PM-C1	93304418	Wireless Two-Zone RC Class 1
WA230-PM-C1	93304419	Wireless Three-Zone RC Class 1

Key Features & Benefits

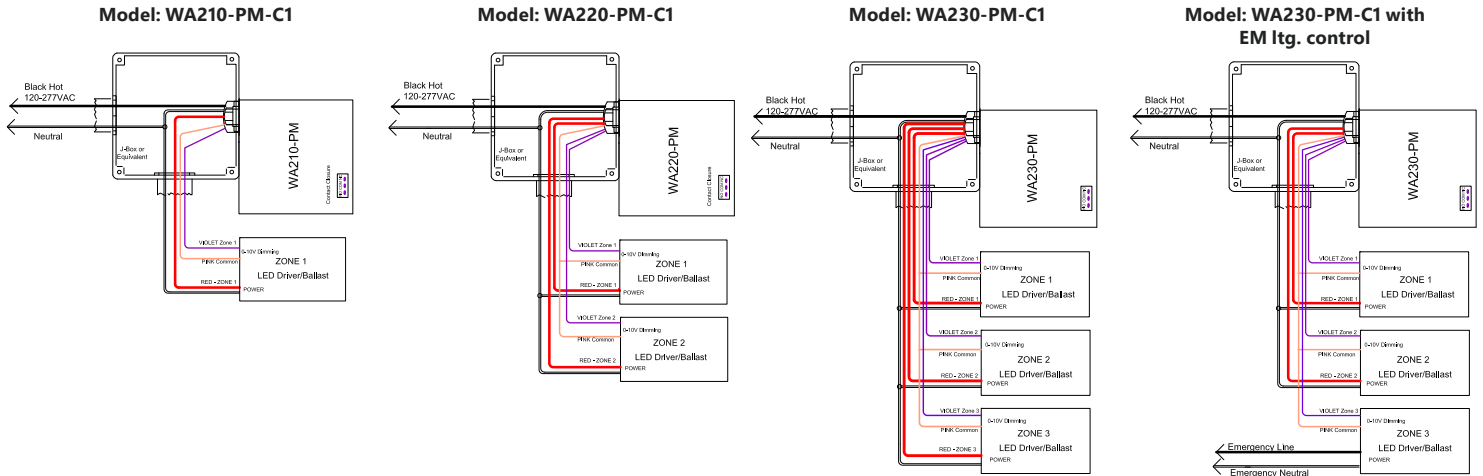
- Provides multi-zone control (1-3 zones)
- 120-347V control
- 20A rated for plug load control
- Knockout mounting for easy installation
- Plenum rated
- Class 1 or Class 2 connections for 0-10V wiring

Commissioning Options

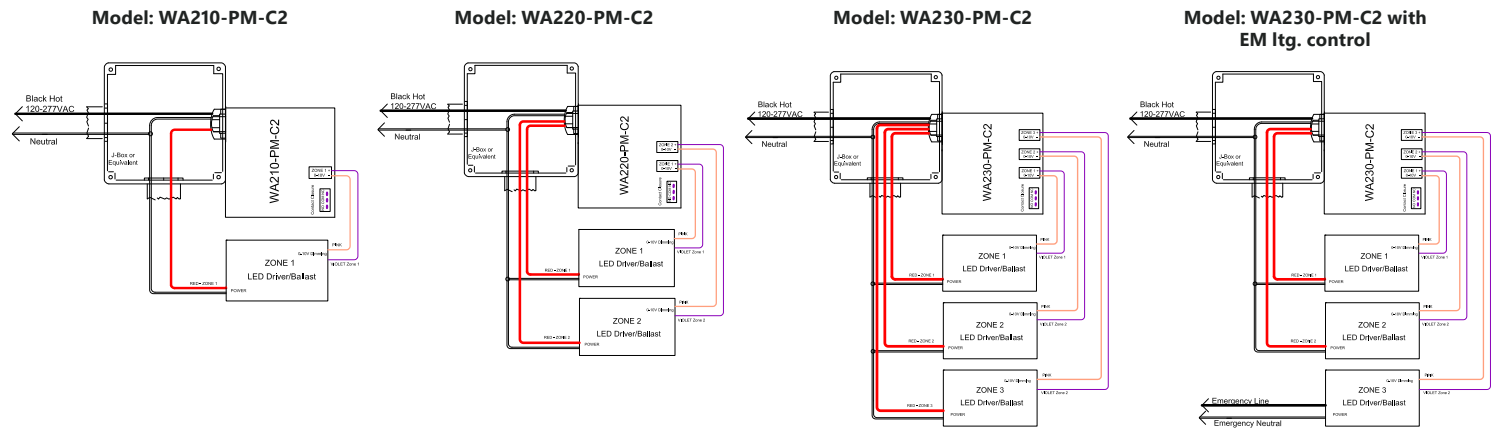
- Daintree EZ Connect mobile app for zonal room based control (app available on Apple App Store)
- Daintree Controls Software (DCS) web app in Daintree Networked

Daintree® | WA200 Series Room Controller

WIRING DIAGRAM – Class 1 0-10V Dimming



WIRING DIAGRAM – Class 2 0-10V Dimming



Warranty

Current offers a limited Warranty across its Daintree Wireless Controls Portfolio. The table below summarizes the Warranty terms. For additional information, please visit LED.com.

Component	Warranty Period	Coverage Details
Daintree Software	1 year (IoT Cloud installed Software) Subscription term (SaaS) 3 years	Current warrants that as long as all applicable fees due are paid, Daintree Software will substantially conform to the applicable published documentation and published specifications for the Warranty Period.
WACs	5 years	100% parts coverage
Wireless Adapters	5 years	100% parts coverage
Wireless Devices	5 years	100% parts coverage, excluding batteries.
Wireless Thermostats	2 years	100% parts coverage