



ProLine®

CUSTOMER NAME \_\_\_\_\_

PROJECT NAME \_\_\_\_\_

DATE \_\_\_\_\_

TYPE \_\_\_\_\_

CATALOG NUMBER \_\_\_\_\_

## EFP1 Flood

### Switchable Series

- Commercial grade LED flood luminaire for use in outdoor applications such as a commercial building, retail, government and educational facilities.
- Wattages range from 20 watts to 320 Watts
- Low profile housing with knuckle installed and trunnion also included for optional field installation (120W, 200W and 320W only)
- Three housing sizes for scalability in the field

### Construction

- Die-case aluminum housing
- Built in visor on all fixture sizes
- Tempered glass lens secured with sealant. Individual components are not field replaceable
- All units have dark bronze matte textured powder coat finish
- Operating Temp -40C to 40C
- Powder paint finish provides durability in outdoor environments. Tested to meet 1000 hour salt spray rating.

### Optics

- Matte white reflector produces wide 7x7 distribution
- Beam Angle: 115°x108°
- Field Angle: 155°x156°
- Lumen Switchable (3K, 4K, 5K) at 70 CRI

### Installation

- EFP1 60W includes knuckle mounting only
- EFP1 120W, 200W and 320W have a slipfitter installed that fits over 2 3/8" tenon. A trunnion mount is included in the box and can be field installed.

### Electrical

All EFP1 fixtures are 120-347V

### Certifications

- Listed to UL1598 and CSA C22.2#250.0- 24 for wet locations and 40°C ambient temperatures
- Wet listed
- IP66 rated housing
- DLC® (DesignLights Consortium Qualified), with some Premium Qualified configurations. Not all product variations listed in this document are DLC® qualified. Refer to <http://www.designlights.org> for the most up-to-date list

### Warranty

5 year warranty

KEY DATA	
Lumen Range	3,049 - 46,759
Wattage Range	20-320W
Efficacy Range (LPW)	125-163
Weights lbs. (kg)	2.6-18.4 (1.2-8.3)



CUSTOMER NAME \_\_\_\_\_

PROJECT NAME \_\_\_\_\_

DATE \_\_\_\_\_

TYPE \_\_\_\_\_

CATALOG NUMBER \_\_\_\_\_

### Ordering Guide

CATALOG NUMBER	FIXTURE SIZE	COLOR TEMP	WATTAGE	LUMEN OUTPUT	LUMENS PER WATT	MOUNTING
EFP160WLSCS	EFP1 Size 1	3000	20	3049	152	Knuckle
		4000		3485	174	
		5000		3257	163	
		3000	40	5411	138	
		4000		6184	157	
		5000		5779	147	
		3000	60	7187	123	
		4000		8214	141	
		5000		7676	132	
EFP1120WLSCS	EFP1 Size 2	3000	80	10813	135	Knuckle & Trunion
		4000		11677	146	
		5000		11513	144	
		3000	100	13516	132	
		4000		14596	143	
		5000		14391	141	
		3000	120	15268	125	
		4000		16488	135	
		5000		16256	133	
EFP1200WLSCS	EFP1 Size 3	3000	130	17811	137	Knuckle & Trunion
		4000		19404	149	
		5000		16541	127	
		3000	160	20801	130	
		4000		23897	149	
		5000		22401	140	
		3000	200	25808	129	
		4000		30953	155	
		5000		27702	139	
EFP1320WLSCS	EFP1 Size 3	3000	200	25156	126	Knuckle & Trunion
		4000		29225	146	
		5000		27201	136	
		3000	280	35219	126	
		4000		39824	142	
		5000		37103	133	
		3000	320	40250	127	
		4000		46759	153	
		5000		43521	135	

CUSTOMER NAME

PROJECT NAME

DATE

TYPE

CATALOG NUMBER

### Electrical Data

FIXTURE	INPUT VOLTAGE (VOLTS)	OPER. CURRENT (AMPS)	SYSTEM POWER (WATTS)
EFP1-20	120	0.17	20
	277	0.07	
	347	0.06	
EFP1-40	120	0.33	40
	277	0.14	
	347	0.12	
EFP1-60	120	0.50	60
	277	0.22	
	347	0.17	
EFP1-80	120	0.67	80
	277	0.29	
	347	0.23	
EFP1-100	120	0.83	100
	277	0.36	
	347	0.29	
EFP1-120	120	1.00	120
	277	0.43	
	347	0.35	
EFP1-130	120	1.08	130
	277	0.47	
	347	0.37	
EFP1-160	120	1.33	160
	277	0.58	
	347	0.46	
EFP1-200	120	1.67	200
	277	0.72	
	347	0.58	
EFP1-200	120	1.67	200
	277	0.72	
	347	0.58	
EFP1-280	120	2.33	280
	277	1.01	
	347	0.81	
EFP1-320	120	2.67	320
	277	1.16	
	347	0.92	

### Luminaire ambient temperature factor (LATF)

AMBIENT TEMPERATURE		LUMEN MULTIPLIER
0°C	32°F	1.03
10°C	50°F	1.01
20°C	68°F	1.00
25°C	77°F	1.00
30°C	86°F	0.99
40°C	104°F	0.98

### Projected Lumen maintenance

AMBIENT TEMPERATURE	OPERATING HOURS					
	0	25,000	TM-21-11 L90 36,000	50,000	100,000	L70 (HOURS)
25°C / 77°F	1.00	0.94	0.92	0.88	0.78	142,000
40°C / 104°F	0.99	0.94	0.91	0.88	0.77	133,000

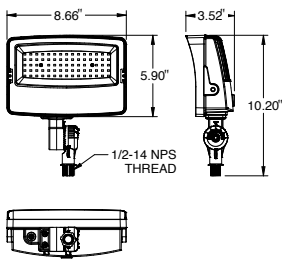
### EPA

EPA (FRONT/SIDE)	
EFP1 Size 1	0.46ft <sup>2</sup> /0.16ft <sup>2</sup>
EFP1 Size 2	1.25ft <sup>2</sup> /0.45ft <sup>2</sup>
EFP1 Size 3	2.45ft <sup>2</sup> /0.60ft <sup>2</sup>

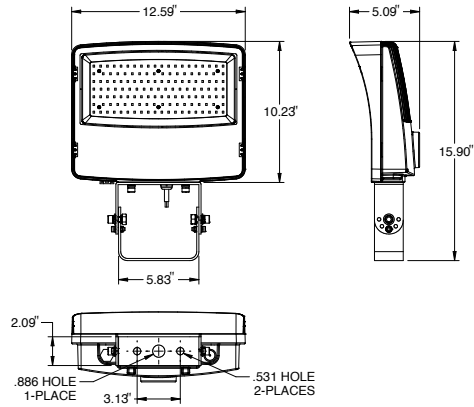
CUSTOMER NAME \_\_\_\_\_  
 PROJECT NAME \_\_\_\_\_  
 DATE \_\_\_\_\_ TYPE \_\_\_\_\_  
 CATALOG NUMBER \_\_\_\_\_

### Dimensions

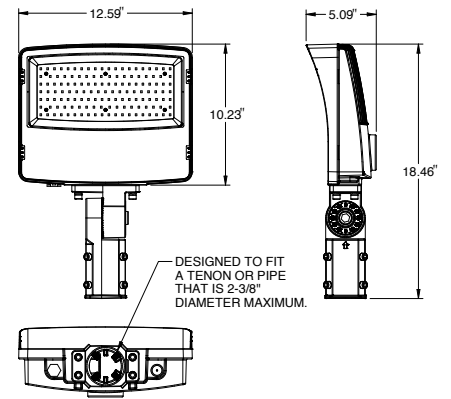
**EFP1 60W Size 1**



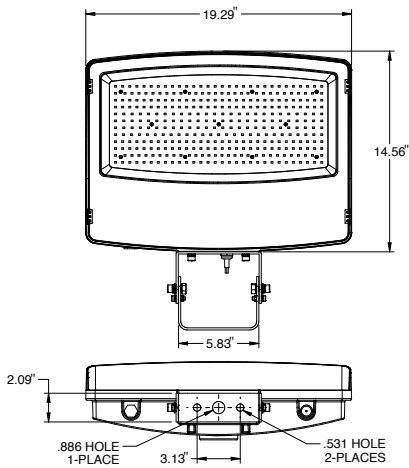
**EFP1 120W Size 2 (trunnion)**



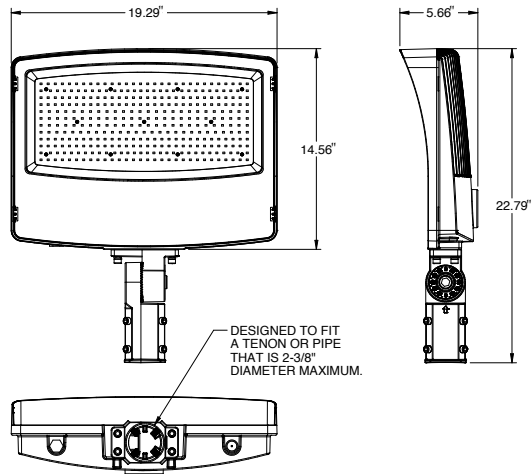
**EFP1 120W- size 2 (knuckle)**



**EFP1 200W & 320W- size 3 (Trunnion)**



**EFP1 200W & 320W- size 3 (Knuckle)**



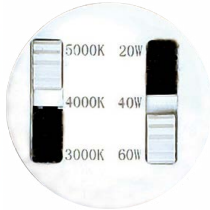
### Weight and Dimension Chart

CONFIGURATION	CARTON SIZE			PRODUCT WEIGHT (LBS)
	L	W	H	Fixture Only
<b>EFP160 Size 1</b>	12.20"	10.82"	5.71"	3.9 lbs.
<b>EFP1120 Size 2</b>	21.06"	14.76"	7.09"	13.6 lbs.
<b>EFP1320 Size 3</b>	25.00"	21.45"	7.68"	23.8 lbs.

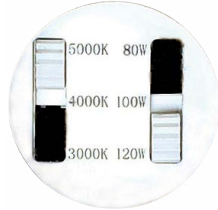
CUSTOMER NAME \_\_\_\_\_  
 PROJECT NAME \_\_\_\_\_  
 DATE \_\_\_\_\_ TYPE \_\_\_\_\_  
 CATALOG NUMBER \_\_\_\_\_

Photometry

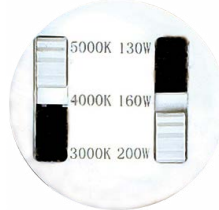
EFP1- 60W



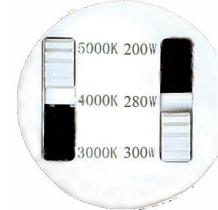
EFP1- 120W



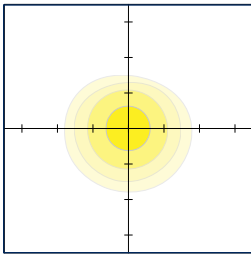
EFP1-200W



EFP1- 320W

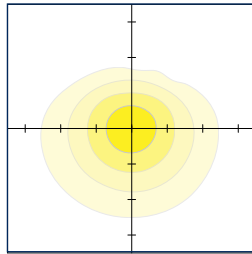


EFP1-20-4K



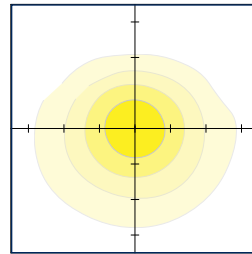
Scale: 20'  
Mounting Height: 15'

EFP1-80-4K



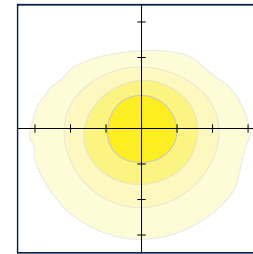
Scale: 20'  
Mounting Height: 15'

EFP1-200-130-4K



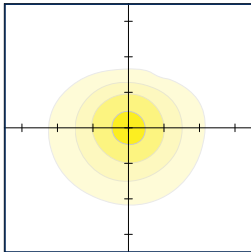
Scale: 20'  
Mounting Height: 15'

EFP1-320-200-4K



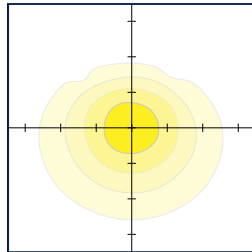
Scale: 20'  
Mounting Height: 15'

EFP1-40-4K



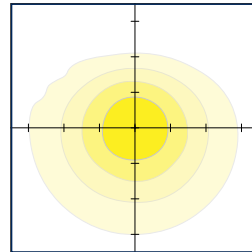
Scale: 20'  
Mounting Height: 15'

EFP1-100-4K



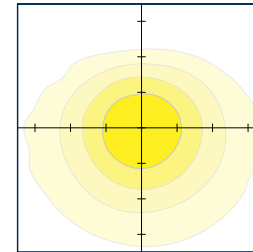
Scale: 20'  
Mounting Height: 15'

EFP1-200-160-4K



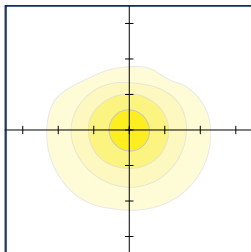
Scale: 20'  
Mounting Height: 15'

EFP1-320-280-4K



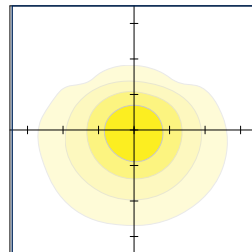
Scale: 20'  
Mounting Height: 15'

EFP1-60-4K



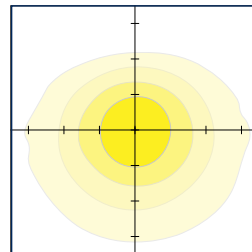
Scale: 20'  
Mounting Height: 15'

EFP1-120-4K



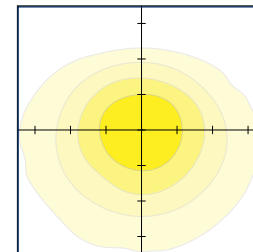
Scale: 20'  
Mounting Height: 15'

EFP1-200-200-4K



Scale: 20'  
Mounting Height: 15'

EFP1-320-320-4K



Scale: 20'  
Mounting Height: 15'

Use of Trademarks and Trade Names

All product and company names, logos and product identifies are trademarks™ or registered trademarks® of Current Lighting, Inc. or their respective owners. Use of them does not necessarily imply any affiliation with or endorsement by such respective owners.