



EWP1- size 1

EWP1- size 2

EWP1- size 3

ProLine®

EWP1 Series

Switchable - Glass Wallpack

- Three sizes: Small, Medium and Large
- 20-120 Watts
- Field switchable lumens and LED color temperature (3000K, 4000K, & 5000K, 80 CRI)
- Standard bronze finish
- Up to 162 lumens per watt
- Borosilicate glass refractor softens LED pixilation and provides uniform distribution

Construction

Die-cast Aluminum Frame holds and seals to housing with 2 stainless steel screws

All sizes contain built-in photocell which can be disabled

Cast aluminum housing has three 1/2" conduit entries on top and sides

All units have dark bronze matte textured powder coat finish

Operating Temp -40C to 40C

Electrical

Universal Voltage (120-347 Voltage)

Dimmable drivers standard

Built in 6kV surge protector

EWP with size 1 wattage includes 20, 30, 40, 50

EWP with size 2 wattage includes 30, 40, 50, 60, 70

EWP with size 3 wattage includes 80, 90, 100, 110, 120

Certifications

DLC® (DesignLights Consortium Qualified), with some Premium Qualified configurations. Not all product variations listed in this document are DLC® qualified. Refer to <http://www.designlights.org> for the most up-to-date list.

Listed to UL1598 and CSA C22.2#250.0-24 for wet locations and 40°C ambient temperatures

Wet listed

IP65 rated housing

Optics

High efficacies, up to 162 LPW

Impact resistant borosilicate glass lens

Installation

Door assembly hinges on side

Leveling device contained inside the housing for ease of installation

Warranty

5 year warranty

KEY DATA	
Lumen Range	3,200-17,000
Wattage Range	20-120
Efficacy Range (LPW)	140-162
Fixture Projected Life (Hours)	>60K



IP65



CUSTOMER NAME _____

PROJECT NAME _____

DATE _____

TYPE _____

CATALOG NUMBER _____

Ordering Guide

SIZES	HOUSING	CATALOG NUMBER	WATTAGE	VOLTAGE	DIST. TYPE	DELIVERED LUMENS	LPW	CCT	WEIGHT LBS. (KG)
Size 1	Small	EWPI50WLSCS	20-50W	120-347V	4	3,200-7,520	143-159	3000K, 4000K, 5000K	8.4 (3.8)
Size 2	Medium	EWPI70WLSCS	30-70W	120-347V	4	4,800-10,700	146-162	3000K, 4000K, 5000K	10.8 (4.9)
Size 3	Large	EWPI120WLCSC	80-120W	120-347V	4	11,400-17,000	140-154	3000K, 4000K, 5000K	13.9 (6.3)

Performance Data

DESCRIPTION	SYSTEM WATTS	DISTRIBUTION TYPE	5K (5000K NOMINAL)					4K (4000K NOMINAL)					3K (3000K NOMINAL)				
			LUMENS	LPW	B	U	G	LUMENS	LPW	B	U	G	LUMENS	LPW	B	U	G
EWPI size 1	20	4	3218	159	1	3	2	3457	171	1	3	3	2976	147	1	3	2
	30	4	4768	157	1	3	3	5123	169	1	3	3	4411	146	1	3	3
	40	4	6228	155	2	3	3	6691	166	2	3	3	5760	143	2	3	3
	50	4	7522	150	2	3	4	8081	161	2	3	4	6958	139	2	3	3
EWPI size 2	30	4	5025	162	1	3	4	5399	174	1	3	4	4648	150	1	3	3
	40	4	6417	161	1	3	4	6894	173	1	3	4	5936	149	1	3	4
	50	4	7840	159	1	4	5	8424	171	1	4	5	7252	147	1	4	5
	60	4	9433	156	1	4	5	10135	168	1	4	5	8725	145	1	4	5
	70	4	10700	154	1	4	5	11496	165	1	4	5	9897	142	1	4	5
EWPI size 3	80	4	12015	154	2	4	5	12909	165	2	4	5	11114	142	2	4	5
	90	4	13607	152	2	4	5	14619	163	3	5	5	12587	140	2	4	5
	100	4	15328	149	3	5	5	16468	160	3	5	5	14178	138	3	4	5
	110	4	16436	148	3	5	5	17659	159	3	5	5	15204	137	3	5	5
	120	4	17116	147	3	5	5	18390	158	3	5	5	15833	136	3	5	5

CUSTOMER NAME _____

PROJECT NAME _____

DATE _____

TYPE _____

CATALOG NUMBER _____

EWP1- Size 1

NOMINAL WATTAGE	INPUT VOLTAGE	OPER. CURRENT (AMPS)	SYSTEM POWER (WATTS)
20	120	0.17	20.3
	208	0.10	
	240	0.08	
	277	0.07	
30	120	0.25	30.0
	208	0.14	
	240	0.13	
	277	0.11	
40	120	0.33	39.2
	208	0.19	
	240	0.16	
	277	0.14	
50	120	0.42	49.8
	208	0.24	
	240	0.21	
	277	0.18	

EWP1- size 3

NOMINAL WATTAGE	INPUT VOLTAGE	OPER. CURRENT (AMPS)	SYSTEM POWER (WATTS)
80	120	0.66	79.6
	208	0.38	
	240	0.33	
	277	0.29	
	347	0.23	
90	120	0.74	88.2
	208	0.42	
	240	0.37	
	277	0.32	
100	347	0.254	100.2
	120	0.84	
	208	0.48	
	240	0.42	
110	277	0.36	109.2
	347	0.29	
	120	0.91	
	208	0.53	
	240	0.46	
120	277	0.39	118.9
	347	0.315	
	120	0.99	
	208	0.57	
	240	0.5	
	277	0.43	
347	0.342		

EWP1- size 2

NOMINAL WATTAGE	INPUT VOLTAGE	OPER. CURRENT (AMPS)	SYSTEM POWER (WATTS)
30	120	0.24	29.3
	208	0.14	
	240	0.12	
	277	0.11	
	347	0.08	
40	120	0.34	41.2
	208	0.2	
	240	0.17	
	277	0.15	
50	347	0.12	53.1
	120	0.44	
	208	0.26	
	240	0.22	
60	277	0.19	59.2
	347	0.15	
	120	0.48	
	208	0.28	
	240	0.25	
70	277	0.21	66.8
	347	0.17	
	120	0.56	
	208	0.32	
	240	0.28	
277	0.24		
347	0.19		

CUSTOMER NAME _____

PROJECT NAME _____

DATE _____

TYPE _____

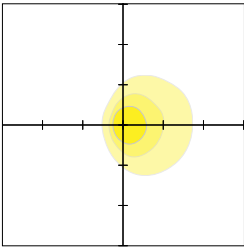
CATALOG NUMBER _____

AMBIENT TEMPERATURE	OPERATING HOURS					
	0	25,000	36,000	50,000	TM-21-11 60,000	100,000
40°C / 104°F	1.00	0.95	0.93	0.90	0.88	0.81

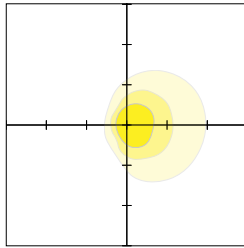
AMBIENT TEMPERATURE		LUMEN MULTIPLIER
0°C	32°F	1.03
10°C	50°F	1.01
20°C	68°F	1.00
25°C	77°F	1.00
30°C	86°F	0.99
40°C	104°F	0.98

Photometry

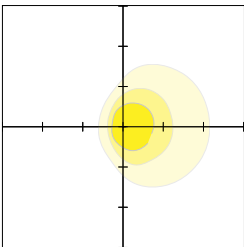
EWPI - SIZE 1 - 20W



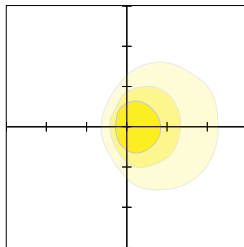
EWPI - SIZE 1 - 30W



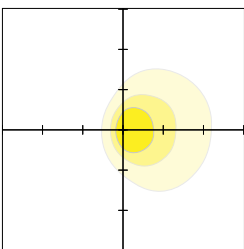
EWPI - SIZE 1 - 40W



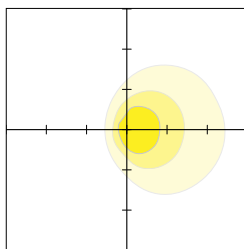
EWPI - SIZE 1 - 50W



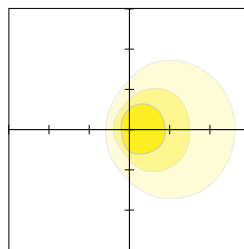
EWPI - SIZE 2 - 30W



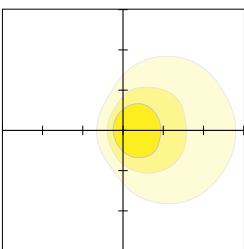
EWPI - SIZE 2 - 40W



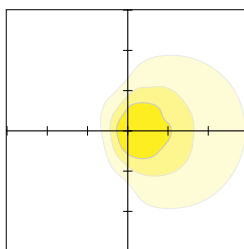
EWPI - SIZE 2 - 50W



EWPI - SIZE 2 - 60W



EWPI - SIZE 2 - 70W



Use these factors to determine relative lumen output for average ambient temperatures from 0-40°C (32-104°F).



Switchable from 20 to 50 watts, CCT switchable 3K, 4K, 5K



Switchable from 30 to 70 watts, CCT switchable 3K, 4K, 5K



CUSTOMER NAME _____

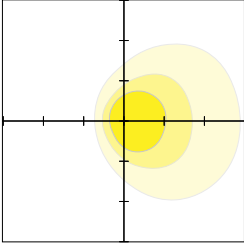
PROJECT NAME _____

DATE _____

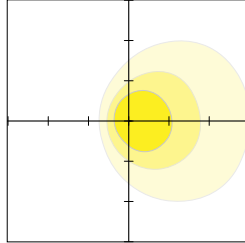
TYPE _____

CATALOG NUMBER _____

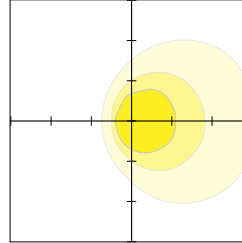
EWPI - SIZE 3 - 80W



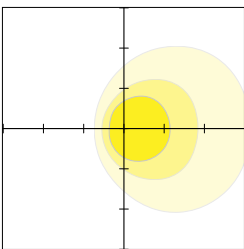
EWPI - SIZE 3 - 90W



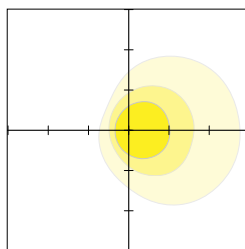
EWPI - SIZE 3 - 100W



EWPI - SIZE 3 - 110W



EWPI - SIZE 3 - 120W

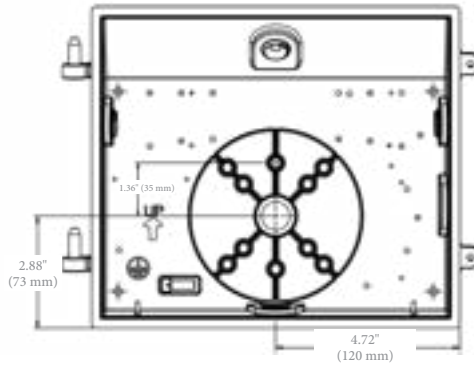
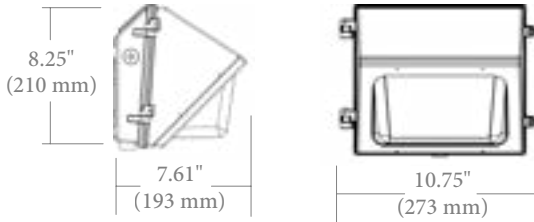


Switchable from 80 to 120 watts, CCT switchable 3K, 4K, 5K

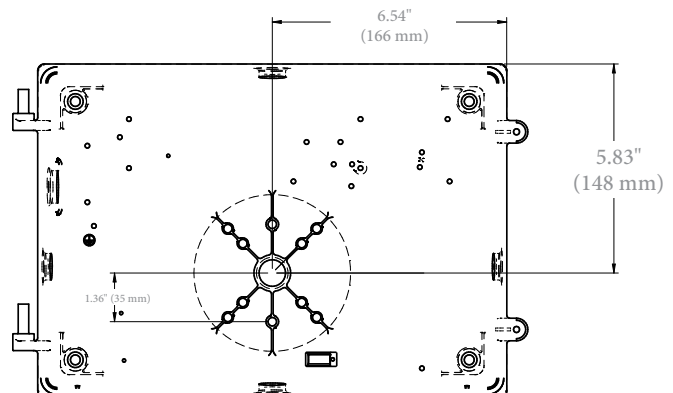
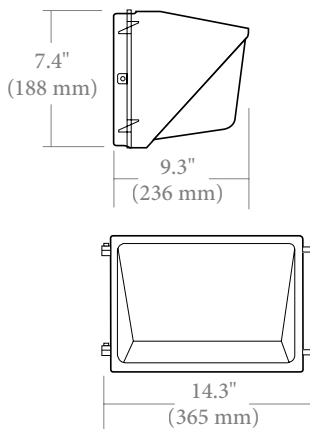


Dimensions

EWPI - SIZE 1



EWPI - SIZE 2



CUSTOMER NAME _____

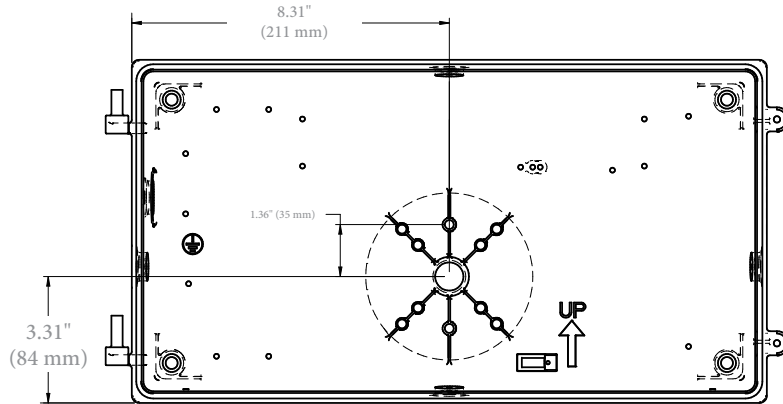
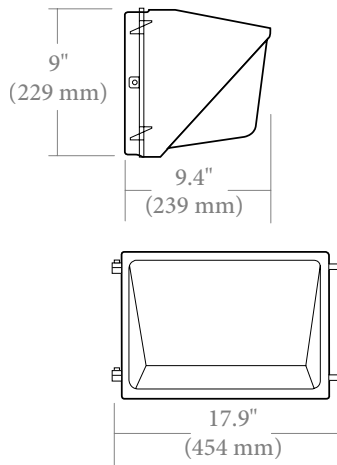
PROJECT NAME _____

DATE _____

TYPE _____

CATALOG NUMBER _____

EWPI - SIZE 3



Level System



Incorporated level system in fixture

Use of trademarks and trade names

All product and company names, logos and product identifies are trademarks™ or registered trademarks® of Current or their respective owners. Use of them does not necessarily imply any affiliation with or endorsement by such respective owners.