

DATE: _____ LOCATION: _____
 TYPE: _____ PROJECT: _____
 CATALOG #: _____

COLT LBUL

SWITCHABLE LED BULLET

tradeSELECT®

FEATURES

- Compact flood light with uniform 5x5 distribution
- Perfect for landscape lighting applications
- Durable 1/2" 14 NPS knuckle
- Easy to install by one person
- IP65 rating for durability in ground mounting applications
- Field switchable lumens and LED color temperature (3K, 4K, 5K)



SPECIFICATIONS

CONSTRUCTION

- Rugged die-cast aluminum housing
- Lens is made of UV stabilized acrylic
- Color is Dark Bronze Textured

OPTICS

- Integral reflector optimizes efficiency
- Distribution is 5x5
- 80 CRI

INSTALLATION

- Suitable for ground mounting applications
- Standard knuckle is 1/2" x 14 NPS
- 6-inch Ground Spike included

ELECTRICAL

- Configurations for 120-277V applications
- 50/60 Hz power factor $\geq 90\%$
- 0-10 Volt dimmable driver

CERTIFICATIONS

- Fixture is IP65 rated
- Listed to UL1598 for use in wet location

WARRANTY

- 5 Year warranty

ORDERING INFORMATION

Catalog Number	Wattage	CCT	Lumens	LPW	Distribution	Voltage	Mounting
LBUL-25-LSCS	12.3	5000K	1870	148	5 x 5	120-277V	Knuckle
		4000K	1887	153			
		3000K	1806	142			
	19.4	5000K	2877	144			
		4000K	2903	145			
		3000K	2658	137			
	24.5	5000K	3551	137			
		4000K	3629	145			
		3000K	3234	133			

KEY DATA	
Lumen Range	1806-3629
Wattage	12.3-24.5
Efficacy Range (LPW)	133-153
Weight lbs. (kg)	1.54 (0.70)

COLT LBUL

MINI SWITCHABLE LED BULLET

PROJECTED LUMEN MAINTENANCE

Ambient Temp.	OPERATING HOURS		
	0	25,000	TM-21-21 L70 54,000
25°C / 77°F	1	0.94	0.88
40°C / 104°F	0.99	0.94	0.87

Projected per IESNA TM-21-21* Data references the extrapolated performance projections for the base model in a 40°C ambient, based on 9,000 hours of LED testing per IESNA LM-80-15

LUMINAIRE AMBIENT TEMPERATURE FACTOR (LATF)

AMBIENT TEMPERATURE		LUMEN MULTIPLIER
0° C	32° F	1.03
10° C	50° F	1.01
20° C	68° F	1.00
25° C	77° F	1.00
30° C	86° F	0.99
40° C	104° F	0.98
50° C	122° F	0.97

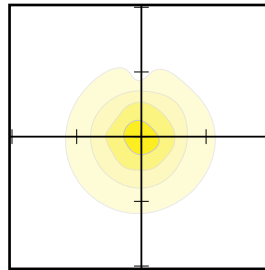
Use these factors to determine relative lumen output for average ambient temperatures from 0-40°C (32-104°F).

ELECTRICAL DATA

Nominal Wattage	INPUT VOLTAGE (V)	CURRENT (Amps)	SYSTEM POWER (W)
13	120	0.108	12.3
	208	0.063	
	240	0.054	
	277	0.047	
20	120	0.167	19.4
	208	0.096	
	240	0.083	
	277	0.072	
25	120	0.208	24.5
	208	0.120	
	240	0.104	
	277	0.090	

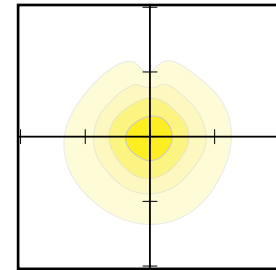
PHOTOMETRY

13-Watts



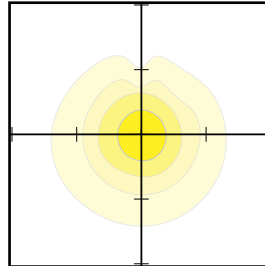
Mounting Height: 10 ft
Scale: 15 ft

20-Watts



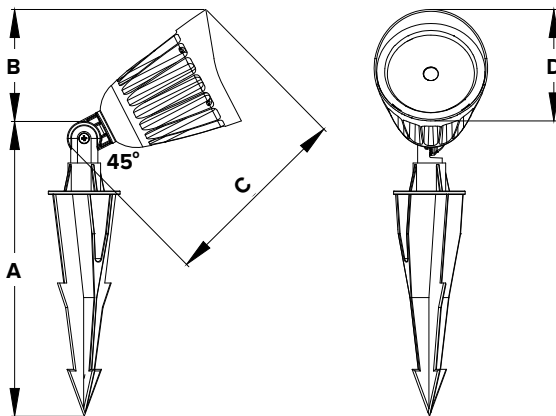
Mounting Height: 10 ft
Scale: 15 ft

25-Watts



Mounting Height: 10 ft
Scale: 15 ft

DIMENSIONS



A	B	C	D	Weight
10.37" (263.3 mm)	3.94" (100 mm)	6.78" (172.1 mm)	3.94" (100 mm)	1.54lbs 0.70kg

