

DATE: _____ LOCATION: _____
 TYPE: _____ PROJECT: _____
 CATALOG #: _____

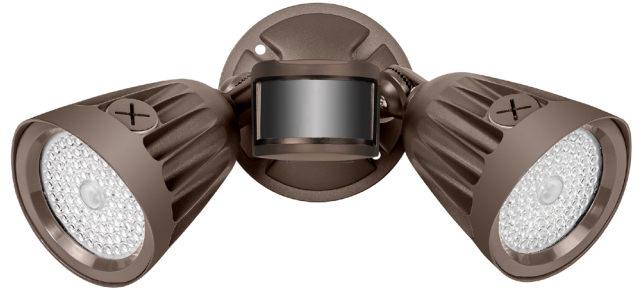
MARSHAL ML

SWITCHABLE TWIN HEAD FLOOD WITH MOTION SENSOR

tradeSELECT®

FEATURES

- Attractive security flood light improves safety and replaces bulky outdated fixtures
- Powerful LED system saves energy and maintenance over traditional lighting sources
- Includes adjustable settings for time, sensitivity, and distance
- Aimable PIR occupancy sensor has 180° coverage, perfect for outdoor applications
- UL listed to UL1598 for use in wet locations
- Field switchable lumens and LED color temperature (3000K, 4000K and 5000K)



SPECIFICATIONS

CONSTRUCTION

- Die cast aluminum heads and mounting plate
- Mounting plate has 1/2" threaded hubs
- UV resistant occupancy sensor
- Two adjustable LED heads
- Switchable lumen and CCT output
- Available in Dark Bronze or White finish

OPTICS

- Replaces twin 150w incandescent lamps
- Each floodlight head has a 5x5 distribution
- 80 CRI

INSTALLATION

- Mounts to 4" junction box and includes a gasket to seal electrical connections
- Easy 4 step installation and wiring

ELECTRICAL

- 120-277V, 50-60Hz

CONTROLS

- Adjustable PIR occupancy sensor
- PIR occupancy sensor has 180 degree coverage
- Programmable settings include time, sensitivity, distance

CERTIFICATIONS

- UL listed to UL1598 for use in wet locations
- Heads NEMA 3R

WARRANTY

- 5 year warranty

KEY DATA	
Lumen Range	3612-7258
Wattage Range	26-50
Efficacy Range (LPW)	129-144
Weights lbs. (kg)	2.2 (1)

MARSHAL ML

LED MOTION SENSOR KIT

STOCK ORDERING INFORMATION

Catalog Number	Mount	Color	Wattage	Voltage	CCT/CRI	Lumens	LPW	Weight lbs. (kg)
ML-2L-50-LSCS	Ceiling/Wall	Dark Bronze	25.4	120-277V	5000K, 70 CRI	3740	144	2.2 (1)
				120-277V	4000K, 70 CRI	3774	145	2.2 (1)
				120-277V	3000K, 70 CRI	3612	139	2.2 (1)
			38.8	120-277V	5000K, 70 CRI	5754	144	2.2 (1)
				120-277V	4000K, 70 CRI	5806	145	2.2 (1)
				120-277V	3000K, 70 CRI	5316	133	2.2 (1)
			48.8	120-277V	5000K, 70 CRI	7102	142	2.2 (1)
				120-277V	4000K, 70 CRI	7258	145	2.2 (1)
				120-277V	3000K, 70 CRI	6468	129	2.2 (1)
ML-2L-50-LSCS-WH	Ceiling/Wall	White	25.4	120-277V	5000K, 70 CRI	3740	144	2.2 (1)
				120-277V	4000K, 70 CRI	3774	145	2.2 (1)
				120-277V	3000K, 70 CRI	3612	139	2.2 (1)
			38.8	120-277V	5000K, 70 CRI	5754	144	2.2 (1)
				120-277V	4000K, 70 CRI	5806	145	2.2 (1)
				120-277V	3000K, 70 CRI	5316	133	2.2 (1)
			48.8	120-277V	5000K, 70 CRI	7102	142	2.2 (1)
				120-277V	4000K, 70 CRI	7258	145	2.2 (1)
				120-277V	3000K, 70 CRI	6468	129	2.2 (1)

ELECTRICAL DATA

Nominal Wattage	Input Voltage (V)	Oper. Current (Amps)	System Power (Watts)
26	120	0.21	25.4
	208	0.12	
	240	0.11	
	277	0.09	
40	120	0.32	38.8
	208	0.19	
	240	0.16	
	277	0.14	
50	120	0.41	48.8
	208	0.23	
	240	0.20	
	277	0.18	

PROJECTED LUMEN MAINTENANCE

Ambient Temp.	OPERATING HOURS		
	0	25,000	TM-21-21 L70 54,000
25°C / 77°F	1	0.94	0.88
40°C / 104°F	0.99	0.94	0.87

Projected per IESNA TIM-21-21 * Data references the extrapolated performance projections for the base model in a 40°C ambient, based on 9,000 hours of LED testing per IESNA LM-80-15

MARSHAL ML

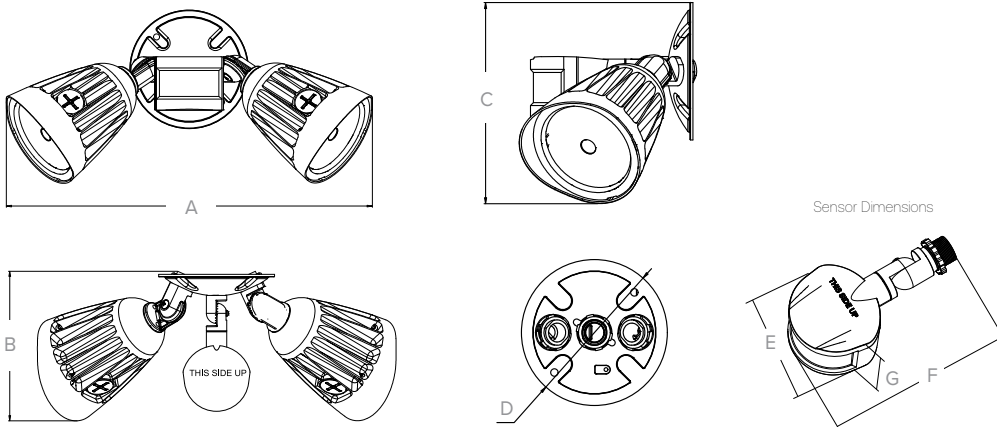
LED MOTION SENSOR KIT

LUMINAIRE AMBIENT TEMPERATURE FACTOR (LATF)

Ambient Temperature		Lumen Multiplier
0° C	32° F	1.06
10° C	50° F	1.03
20° C	68° F	1.01
25° C	77° F	1.00
30° C	86° F	0.99
40° C	104° F	0.97

Use these factors to determine relative lumen output for average ambient temperatures from 0-40°C (32-104°F)

DIMENSIONS

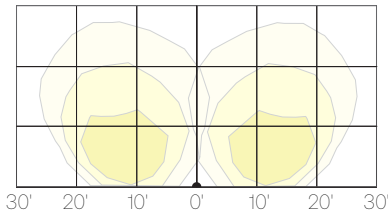


A	B	C	D	Weight	E	F	G
14.04" 357 mm	5.19" 132 mm	6.73" 171 mm	4.49" 114 mm	2.2 lbs. 1 kg	2.71" 60 mm	4.14" 152 mm	2.13" 47 mm

PHOTOMETRY

The following diagrams represent the general distribution options offered for this product.

Marshal – Mounting Height: 10ft



ADDITIONAL INFORMATION

SENSOR ADJUSTMENTS



Includes adjustable settings and photo control

- Time
- Sensitivity
- Distance

SHIPPING INFORMATION

Catalog Number	G.W(kg)/CTN	Carton Dimensions		
		Length Inch (cm)	Width Inch (cm)	Height Inch (cm)
ML-2L	3.4 lbs (1.5)	10.75" (27.3)	7.75" (20.7)	6.5" (16.5)