

RETA - Round Tenon Adapter

Mounting Accessory

DESCRIPTION

Four Fixture Round Tenon Adaptor to accommodate up to 4 fixtures. Includes top cover and plugs for unused hole, as well as set screws to tighten the adapter. Fits over 2 3/8" tenon on pole top. Order 3@120 for 3 sets of holes at 120 degrees.

| DIMENSIONS & WEIGHT | |
|---------------------|--------------------|
| Adaptor Height | 12.5" |
| Adaptor ID | 2.5" |
| Adaptor OD | 4.0" |
| Weight | 15 lbs |
| EPA | .2 ft ² |

MOUNTING INSTRUCTIONS

- Engage set-screws to adapter half way in.
- Slip adapter to pole tenon, then tighten set-screws.
- Mark tenon using hole "A" as guide.
- Remove adapter from tenon.
- Drill tenon through walls using 7/16" (.437") diameter drill bit.
- Install adapter back to tenon securing it with 3/8-16 through bolt, lockwasher, and hex nut.
- Tighten set-screws.
- The adapter is now ready for fixture installation.
- Install 5/16 and 5/8 plugs into unused holes.

STANDARD FINISH COLORS & MATERIAL

- 6061 Aluminum
- Powder Coat Paint Finish

ORDERING GUIDE

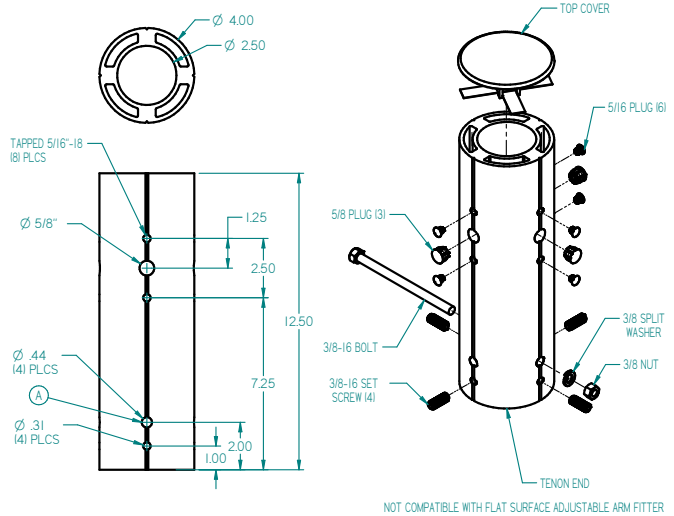
 CATALOG #

Example: ACC-O-VP-2-MTG-RETA-BLT

ORDERING INFORMATION

| Series | Brand | Fixture | Size | ACC Type | Mounting Accessories | Color | Mounting Pattern |
|--------|--------|---------|-------------------|----------|-------------------------------|--|------------------|
| ACC-O | Beacon | VP | 1 2 3 4* | Mounting | RETA (Round Tenon Adapter) | BLT Black Matte Textured BLS Black Gloss Smooth DBT Dark Bronze Matte Textured DBS Dark Bronze Gloss Smooth GTT Graphite Matte Textured LGS Light Grey Gloss Smooth LGT Light Grey Matte Textured PSS Platinum Silver Smooth WHT White Matte Textured WHS White Gloss Smooth VGT Verde Green Textured CC Custom Color | B3 S2 |

*Same size RETA for any size choice



| SHIPPING PACKAGE CONTENTS | |
|---------------------------|--------------------|
| Qty | Description |
| 1 | RETA Tenon Adapter |
| 1 | Top Cover |
| 1 | 3/8-16 Bolt |
| 4 | 3/8-16 Set Screw |
| 1 | 3/8 Split Washer |
| 1 | 3/8-16 Nut |
| 3 | 5/8 Plug |
| 6 | 5/16 Plug |
| Weight | 20 lbs. |
| EPA | .2 ft ² |