

RSAH Series Poles

ROUND STRAIGHT ALUMINUM

DATE:	LOCATION:
TYPE:	PROJECT:
CATALOG #:	

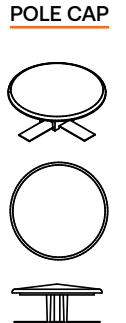
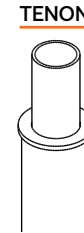
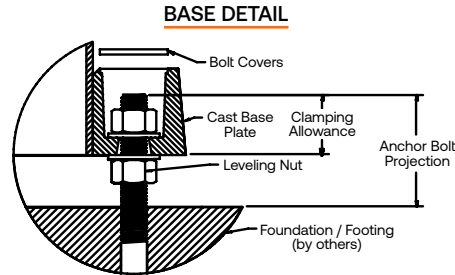
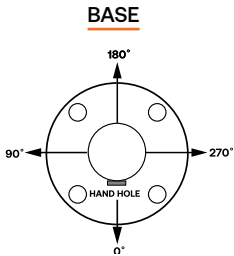
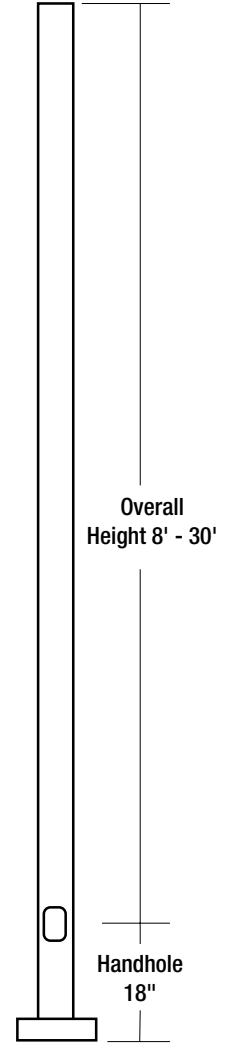
SPECIFICATIONS

CONSTRUCTION

- Shaft: One-piece straight aluminum with round cross section; Extruded shafts of 6061-T6 aluminum in 1/8", 3/16", or 1/4" thickness. Base plate of 356 cast aluminum
- Bolt covers: Four (4) individual bolt covers provided, painted to match pole and base finish
- Pole cap: Pole shaft supplied with removable cover when applicable; Tenon and post-top configurations also available
- Hand hole: Rectangular 3x5 aluminum hand hole frame (2.28" x 4.38" opening); Mounting provisions for grounding lug located behind gasketed cover
- Anchor bolts: Four galvanized anchor bolts provided per pole with minimum yield of 55,000 psi (ASTM F1554). Galvanized hardware with two washers and two nuts per bolt for leveling
- Super Durable polyester-TGIC powder coat finish with nominal 3.0 mil thickness. Meets or exceeds AAMA 2604 standards.

INSTALLATION

- Lighting installations for side and top mounting of luminaires with effective projected area (EPA) not exceeding maximum allowable loading of the specified pole in its installed geographic location



RSAH Series Poles

ROUND STRAIGHT ALUMINUM

DATE: _____ LOCATION: _____
 TYPE: _____ PROJECT: _____
 CATALOG #: _____

ORDERING INFORMATION

Example: RSAH20-50B-1-S2-BLT

RSAH Series	Height	Shaft	Thickness	Mounting	Drill Pattern	Finish	Options
RSAH Round Straight Aluminum Pole EXO	Reference page 3 Ordering matrix	Reference page 3 Ordering matrix	Reference page 3 Ordering matrix	1 Single arm mount 2 Two fixtures at 180° 2L Two fixtures at 90° 3T Three fixtures at 90° 3Y Three fixtures at 120° 4 Four fixtures at 90° TA Tenon (2.375" OD) TB Tenon (2.875" OD) OT Open top (includes pole cap)	B3 2 bolt (2-1/2" spacing), Viper "A" arm S2 2 bolt (3-1/2" spacing), Viper "AD" arm UDP Universal Drill Pattern	BLT Black Matte Textured BLS Black Gloss Smooth DBT Dark Bronze Matte Textured DBS Dark Bronze Gloss Smooth GTT Graphite Matte Textured LGS Light Grey Gloss Smooth PSS Platinum Silver Smooth WHT White Matte Textured WHS White Gloss Smooth VGT Verde Green Textured Color Option CC Custom Color	GFI ¹ 20 Amp GFCI Receptacle and Cover EHH ¹ Extra Handhole C05 ¹ 5" Coupling C07 ¹ .75" Coupling C20 ¹ 2" Coupling VM2 2nd Mode Vibration Damper LAB Less Anchor Bolts

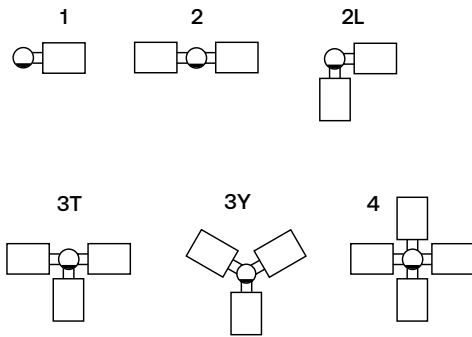
Accessories (Order Separately)

- VM2S08** Field-installed 2nd mode vibration dampener - 8 ft
- VM2S12** Field-installed 2nd mode vibration dampener - 12 ft
- VM2S16** Field-installed 2nd mode vibration dampener - 16 ft
- VM2S20** Field-installed 2nd mode vibration dampener - 20 ft
- VM2S25** Field-installed 2nd mode vibration dampener - 25 ft

1 Specify option location using logic found on page 3 (Option Orientation)

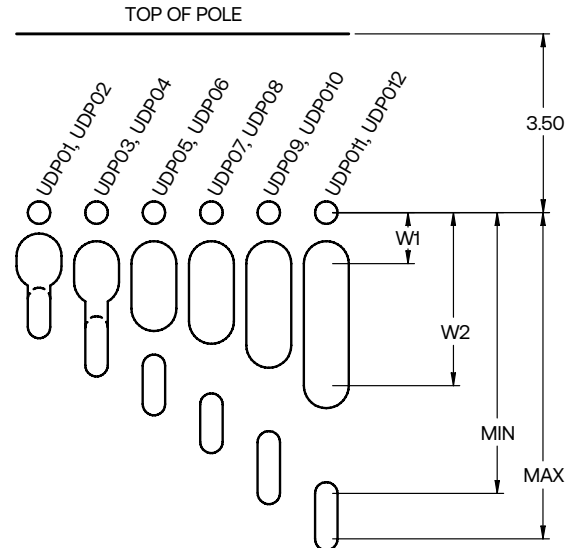
MOUNTING ORIENTATION

○ ← Denotes handhole location



DRILL PATTERNS

UNIVERSAL DRILL PATTERN (UDP)



Two Bolt Mounting with Center Wireway						
Mounting Hardware	Universal Mounting Patterns					
3/8" or less	UDP01	UDP03	UDP05	UDP07	UDP09	UDP011
7/8" to 1/2"	UDP02	UDP04	UDP06	UDP08	UDP10	UDP12
"Min" Attachment Dimension	1.69	2.25	3.00	3.76	4.50	5.50
"Max" Attachment Dimension	2.24	2.99	3.75	4.49	5.49	6.00
W1 (Wireway min)	0.85	1.00	1.00	1.00	1.00	1.00
W2 (Wireway max)	1.05	1.36	1.88	2.13	2.60	3.00

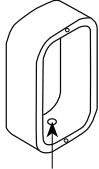
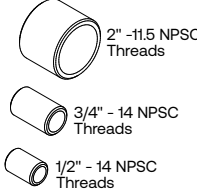
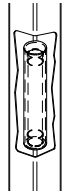

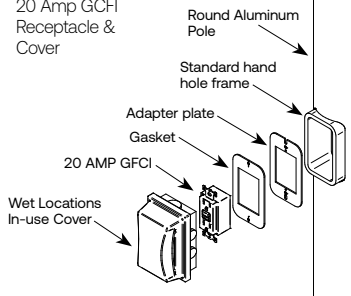
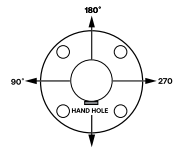
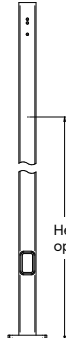
RSAH Series Poles

ROUND STRAIGHT ALUMINUM

ORDERING INFORMATION (CONTINUED)

CATALOG NUMBER	HEIGHT		NOMINAL SHAFT DIMENSIONS	WALL THICKNESS	BOLT CIRCLE	BASE PLATE DIAMETER	ANCHOR BOLT SIZE	BOLT PROJECTION	POLE WEIGHT
	FEET	METERS							
RSAH10-40A	10	3.0	4" Round	0.125	6.75"	9.62" Dia x 1.88" Thk	3/4 x 30 x 3	2-3/4"	27
RSAH12-40A	12	3.7	4" Round	0.125	6.75"	9.62" Dia x 1.88" Thk	3/4 x 30 x 3	2-3/4"	31
RSAH14-40A	14	4.3	4" Round	0.125	6.75"	9.62" Dia x 1.88" Thk	3/4 x 30 x 3	2-3/4"	36
RSAH16-40A	16	4.9	4" Round	0.125	6.75"	9.62" Dia x 1.88" Thk	3/4 x 30 x 3	2-3/4"	40
RSAH18-40A	18	5.5	4" Round	0.125	6.75"	9.62" Dia x 1.88" Thk	3/4 x 30 x 3	2-3/4"	45
RSAH20-40A	20	6.1	4" Round	0.125	6.75"	9.62" Dia x 1.88" Thk	3/4 x 30 x 3	2-3/4"	50
RSAH10-40B	10	3.0	4" Round	0.188	6.75"	9.62" Dia x 1.88" Thk	3/4 x 30 x 3	2-3/4"	38
RSAH12-40B	12	3.7	4" Round	0.188	6.75"	9.62" Dia x 1.88" Thk	3/4 x 30 x 3	2-3/4"	44
RSAH14-40B	14	4.3	4" Round	0.188	6.75"	9.62" Dia x 1.88" Thk	3/4 x 30 x 3	2-3/4"	51
RSAH16-40B	16	4.9	4" Round	0.188	6.75"	9.62" Dia x 1.88" Thk	3/4 x 30 x 3	2-3/4"	58
RSAH18-40B	18	5.5	4" Round	0.188	6.75"	9.62" Dia x 1.88" Thk	3/4 x 30 x 3	2-3/4"	65
RSAH20-40B	20	6.1	4" Round	0.188	6.75"	9.62" Dia x 1.88" Thk	3/4 x 30 x 3	2-3/4"	71
RSAH12-40C	12	3.7	4" Round	0.25	6.75"	9.62" Dia x 1.88" Thk	3/4 x 30 x 3	2-3/4"	57
RSAH14-40C	14	4.3	4" Round	0.25	6.75"	9.62" Dia x 1.88" Thk	3/4 x 30 x 3	2-3/4"	66
RSAH16-40C	16	4.9	4" Round	0.25	6.75"	9.62" Dia x 1.88" Thk	3/4 x 30 x 3	2-3/4"	75
RSAH18-40C	18	5.5	4" Round	0.25	6.75"	9.62" Dia x 1.88" Thk	3/4 x 30 x 3	2-3/4"	83
RSAH20-40C	20	6.1	4" Round	0.25	6.75"	9.62" Dia x 1.88" Thk	3/4 x 30 x 3	2-3/4"	92
RSAH12-50B	12	3.7	5" Round	0.188	7.75"	10.62" Dia x 1.88" Thk	3/4 x 30 x 3	2-3/4"	56
RSAH14-50B	14	4.3	5" Round	0.188	7.75"	10.62" Dia x 1.88" Thk	3/4 x 30 x 3	2-3/4"	64
RSAH16-50B	16	4.9	5" Round	0.188	7.75"	10.62" Dia x 1.88" Thk	3/4 x 30 x 3	2-3/4"	73
RSAH18-50B	18	5.5	5" Round	0.188	7.75"	10.62" Dia x 1.88" Thk	3/4 x 30 x 3	2-3/4"	81
RSAH20-50B	20	6.1	5" Round	0.188	7.75"	10.62" Dia x 1.88" Thk	3/4 x 30 x 3	2-3/4"	90
RSAH25-50B	25	7.6	5" Round	0.188	7.75"	10.62" Dia x 1.88" Thk	3/4 x 30 x 3	2-3/4"	111
RSAH16-60A	16	4.9	6" Round	0.125	8.75"	11.62" Dia x 1.88" Thk	3/4 x 30 x 3	2-3/4"	60
RSAH18-60A	18	5.5	6" Round	0.125	8.75"	11.62" Dia x 1.88" Thk	3/4 x 30 x 3	2-3/4"	67
RSAH20-60A	20	6.1	6" Round	0.125	8.75"	11.62" Dia x 1.88" Thk	3/4 x 30 x 3	2-3/4"	74
RSAH25-60A	25	7.6	6" Round	0.125	8.75"	11.62" Dia x 1.88" Thk	3/4 x 30 x 3	2-3/4"	91
RSAH18-60C	18	5.5	6" Round	0.25	8.75"	11.62" Dia x 1.88" Thk	3/4 x 30 x 3	2-3/4"	127
RSAH20-60C	20	6.1	6" Round	0.25	8.75"	11.62" Dia x 1.88" Thk	3/4 x 30 x 3	2-3/4"	140
RSAH25-60C	25	7.6	6" Round	0.25	8.75"	11.62" Dia x 1.88" Thk	3/4 x 30 x 3	2-3/4"	174
RSAH30-60C	30	9.1	6" Round	0.25	8.75"	11.62" Dia x 1.88" Thk	3/4 x 30 x 3	2-3/4"	208

Note: Factory supplied template must be used when setting anchor bolts. Current will deny any claim for incorrect anchorage placement resulting from failure to use factory supplied template and anchor bolts.
 Due to our continued efforts to improve our products, product specifications are subject to change without notice. Unwrap poles immediately upon receipt to avoid condensation build up and possible corrosion.
 Note: There will be a weld witness mark on the side of the pole with the factory installed VM2

<p>EHH Extra handhole</p>  <p>Provision for Grounding</p>	<p>C05 / C07 / C20 Coupling</p>  <p>2" -11.5 NPSC Threads 3/4" - 14 NPSC Threads 1/2" - 14 NPSC Threads</p>	<p>VM2* Vibration damper 2nd mode</p>  <p>Factory installed, internal damper designed to alter pole resonance to reduce movement and material fatigue caused by 2nd mode vibration.</p>	<p>VM2SXX Vibration damper 2nd mode</p>  <p>VM2S08 - 8' VM2S12 - 12' VM2S16 - 16' VM2S20 - 20' VM2S24 - 24'</p> <p>Field installed, internal damper designed to alter pole resonance to reduce movement and material fatigue caused by 2nd mode vibration.</p>
<p>GFI 20 Amp GFCI Receptacle & Cover</p>  <p>Round Aluminum Pole Standard hand hole frame Adapter plate Gasket 20 AMP GFCI Wet Locations In-use Cover</p>		<p>Option Orientation Follow the logic below when ordering location specific options. For each option, include its orientation (in degrees) and its height (in feet).</p> <p>Example: Option C05 should be ordered as: RSAH20-40A-TA-DB-CO5-0-15 (.5" coupling on the handhole side of pole, 15' up from the pole base) 1' spacing required between option. Consult factory for other configurations.</p>   <p>Height of option in feet</p>	

For more information about pole vibration and vibration dampers, please consult factory. Unwrap poles immediately upon receipt to avoid condensation build up and possible corrosion.
 *Note: There will be a weld witness mark on the side of the pole with the Factory installed VM2.

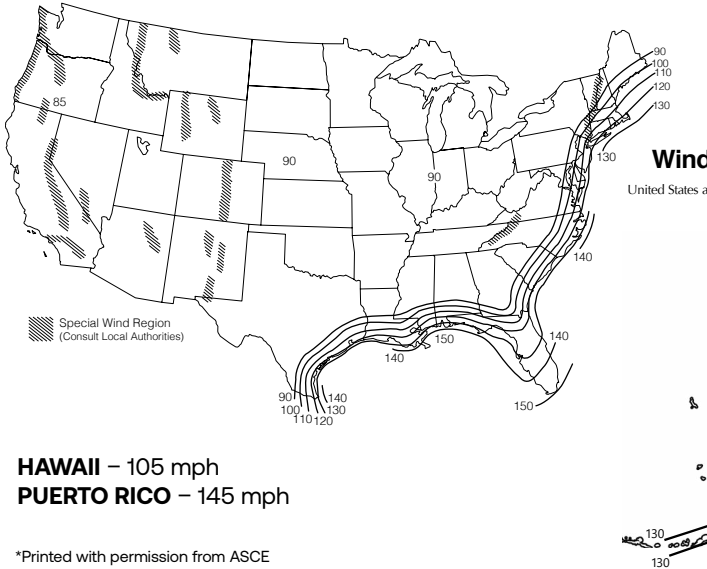
RSAH Series Poles

ROUND STRAIGHT ALUMINUM

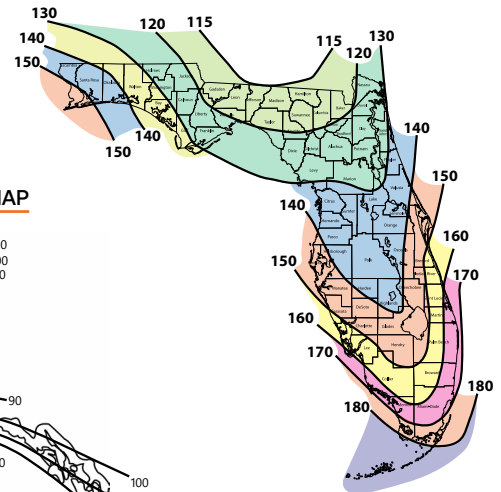
DATE: _____ LOCATION: _____
 TYPE: _____ PROJECT: _____
 CATALOG #: _____

WIND MAPS

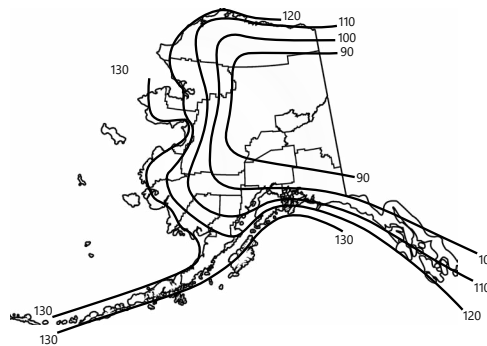
ASCE7-05 WIND MAP



FLORIDA REGION WIND MAP



ALASKA REGION WIND MAP



Florida region wind map above is based upon 3-second gust winds and the 2017 Florida Building Code.

*Printed with permission from ASCE

ASCE 7-05 wind map EPA Load Rating - 3 second gust wind speeds (Use for all locations except Florida)										
Catalog Number	85	90	100	105	110	120	130	140	145	150
RSAH10-40A	9.0	7.9	6.2	5.5	4.8	3.9	3.2	2.7	2.5	2.3
RSAH12-40A	6.8	5.9	4.5	3.9	3.4	2.6	2.1	1.7	1.6	1.4
RSAH14-40A	5.1	4.4	3.1	2.6	2.2	1.6	1.2	0.9	0.8	0.7
RSAH16-40A	3.8	3.2	2.1	1.6	1.3	0.7	0.5	NR	NR	NR
RSAH18-40A	2.7	2.1	1.2	0.8	NR	NR	NR	NR	NR	NR
RSAH20-40A	1.7	1.2	NR	NR	NR	NR	NR	NR	NR	NR
RSAH10-40B	13.7	12.1	9.6	8.6	7.7	6.3	5.3	4.5	4.2	3.9
RSAH12-40B	10.7	9.4	7.3	6.5	5.7	4.6	3.8	3.2	3.0	2.7
RSAH14-40B	8.4	7.3	5.6	4.9	4.2	3.3	2.7	2.2	2.0	1.9
RSAH16-40B	6.6	5.8	4.2	3.6	3.0	2.2	1.8	1.4	1.3	1.1
RSAH18-40B	5.1	4.3	3.0	2.4	2.0	1.3	1.0	0.7	0.6	0.5
RSAH20-40B	3.8	3.1	2.0	1.5	1.1	0.5	NR	NR	NR	NR
RSAH12-40C	14.1	12.5	9.9	8.8	7.9	6.4	5.4	4.6	4.2	3.9
RSAH14-40C	11.3	9.9	7.7	6.8	6.0	4.8	4.0	3.4	3.1	2.9
RSAH16-40C	9.1	7.9	6.0	5.3	4.6	3.5	2.9	2.4	2.2	2.0
RSAH18-40C	7.3	6.3	4.6	3.9	3.3	2.4	1.9	1.6	1.4	1.2
RSAH20-40C	5.7	4.8	3.4	2.8	2.3	1.5	1.1	0.8	0.7	0.6
RSAH12-50B	18.1	16.0	12.9	11.7	10.6	8.9	7.5	6.4	5.9	5.5
RSAH14-50B	14.6	12.8	10.2	9.2	8.4	7.0	5.8	5.0	4.6	4.3
RSAH16-50B	11.9	10.3	8.1	7.3	6.6	5.4	4.5	3.8	3.5	3.3
RSAH18-50B	9.5	8.2	6.3	5.7	5.1	4.2	3.4	2.8	2.6	2.4
RSAH20-50B	7.5	6.4	4.8	4.3	3.8	3.0	2.4	2.0	1.8	1.6
RSAH25-50B	3.8	2.9	1.9	1.6	1.3	0.9	0.6	NR	NR	NR
RSAH16-60A	11.9	10.6	8.4	7.6	6.9	5.7	4.7	4.0	3.7	3.4
RSAH18-60A	9.5	8.4	6.7	6.0	5.4	4.4	3.6	3.0	2.8	2.5
RSAH20-60A	7.5	6.5	5.1	4.6	4.1	3.3	2.7	2.2	2.0	1.8
RSAH25-60A	3.6	3.1	2.2	1.9	1.6	1.1	0.8	0.5	NR	NR
RSAH18-60C	21.4	19.1	15.5	14.0	12.0	9.9	8.3	7.0	6.5	6.0
RSAH20-60C	17.9	15.9	12.8	11.6	10.5	8.1	6.8	5.7	5.2	4.8
RSAH25-60C	11.4	10.1	8.0	7.2	6.5	4.8	3.9	3.2	2.9	2.6
RSAH30-60C	6.9	6.0	4.6	4.1	3.6	2.4	1.8	1.4	1.2	1.1

Florida Building Code 2017 EPA Load Rating - 3 second gust wind speeds (Use for Florida only)									
Catalog Number	115	120	130	140	150	160	170	180	
RSAH 10-40A	6.4	5.8	4.7	3.8	3.1	2.5	2.4	2.3	
RSAH 12-40A	4.6	4.1	3.2	2.4	1.8	1.7	1.6	1.5	
RSAH 14-40A	3.2	2.8	2.0	1.4	0.9	NR	NR	NR	
RSAH 16-40A	2.1	1.7	1.0	0.5	NR	NR	NR	NR	
RSAH 18-40A	1.1	0.8	NR	NR	NR	NR	NR	NR	
RSAH 10-40B	10.1	9.1	7.6	6.3	5.3	4.4	4.2	3.9	
RSAH 12-40B	7.6	6.9	5.6	4.5	3.7	2.9	2.8	2.7	
RSAH 14-40B	5.8	5.1	4.0	3.1	2.4	1.8	1.6	1.4	
RSAH 16-40B	4.3	3.7	2.7	2.0	1.3	0.8	0.5	NR	
RSAH 18-40B	3.0	2.5	1.7	1.0	NR	NR	NR	NR	
RSAH 20-40B	1.9	1.5	0.7	NR	NR	NR	NR	NR	
RSAH 12-40C	10.3	9.3	7.7	6.4	5.3	4.4	4.2	4.0	
RSAH 14-40C	8.0	7.2	5.8	4.7	3.8	3.0	2.8	2.6	
RSAH 16-40C	6.2	5.5	4.3	3.3	2.5	1.9	1.7	1.5	
RSAH 18-40C	4.6	4.0	3.0	2.1	1.5	0.9	0.7	0.5	
RSAH 20-40C	3.3	2.8	1.9	1.2	0.6	NR	NR	NR	
RSAH 12-50B	13.2	12.0	9.9	9.4	8.0	6.8	5.9	5.1	
RSAH 14-50B	10.4	9.3	7.5	7.0	6.3	5.3	4.5	3.8	
RSAH 16-50B	8.0	7.1	5.6	5.3	4.9	4.0	3.3	2.7	
RSAH 18-50B	6.1	5.3	3.9	3.6	3.3	3.0	2.3	1.8	
RSAH 20-50B	4.4	3.7	2.9	2.8	2.7	2.1	1.5	1.1	
RSAH 25-50B	1.3	0.7	1.0	0.5	NR	NR	NR	NR	
RSAH 16-60A	9.3	8.4	6.8	5.5	4.5	3.7	2.9	2.3	
RSAH 18-60A	7.4	6.6	5.3	4.2	3.3	2.5	1.9	1.4	
RSAH 20-60A	5.9	5.2	4.0	3.0	2.2	1.6	1.0	0.6	
RSAH 25-60A	3.0	2.4	1.5	0.8	0.2	NR	NR	NR	
RSAH 18-60C	16.5	15.0	12.4	10.4	8.7	7.4	6.2	5.2	
RSAH 20-60C	13.8	12.5	10.3	8.5	7.0	5.8	4.8	4.0	
RSAH 25-60C	9.0	8.0	6.3	4.9	3.8	2.9	2.1	1.5	
RSAH 30-60C	5.6	4.8	3.5	2.4	1.5	0.8	NR	NR	

RSAH Series Poles

ROUND STRAIGHT ALUMINUM

DATE:	LOCATION:
TYPE:	PROJECT:
CATALOG #:	

NOTES

Wind-speed Website disclaimer:

Current has no connection to the linked website and makes no representations as to its accuracy. While the information presented on this third party website provides a useful starting point for analyzing wind conditions, Current has not verified any of the information on this third party website and assumes no responsibility or liability for its accuracy. The material presented in the windspeed website should not be used or relied upon for any specific application without competent examination and verification of its accuracy, suitability and applicability by engineers or other licensed professionals. Current does not intend that the use of this information replace the sound judgment of such competent professionals, having experience and knowledge in the field of practice, nor to substitute for the standard of care required of such professionals in interpreting and applying the results of the windspeed report provided by this website. Users of the information from this third party website assume all liability arising from such use. Use of the output of these referenced websites do not imply approval by the governing building code bodies responsible for building code approval and interpretation for the building site described by latitude/longitude location in the windspeed report. <http://windspeed.atcouncil.org>

- Allowable EPA, to determine max pole loading weight, multiply allowable EPA by 30 lbs.
- The tables for allowable pole EPA are based on the ASCE 7-05 Wind Map or the Florida Region Wind Map for the 2010 Florida Building Code. The Wind Maps are intended only as a general guide and cannot be used in conjunction with other maps. Always consult local authorities to determine maximum wind velocities, gusting and unique wind conditions for each specific application
- Allowable pole EPA for jobsite wind conditions must be equal to or greater than the total EPA for fixtures, arms, and accessories to be assembled to the pole. Responsibility lies with the specifier for correct pole selection. Installation of poles without luminaires or attachment of any unauthorized accessories to poles is discouraged and shall void the manufacturer's warranty
- Wind speeds and listed EPAs are for ground mounted installations. Poles mounted on structures (such as bridges and buildings) must consider vibration and coefficient of height factors beyond this general guide; Consult local and federal standards
- Wind Induced Vibration brought on by steady, unidirectional winds and other unpredictable aerodynamic forces are not included in wind velocity ratings. Consult Current Lighting's Pole Vibration Application Guide for environmental risk factors and design considerations.
- Extreme Wind Events like, Hurricanes, Typhoons, Cyclones, or Tornadoes may expose poles to flying debris, wind shear or other detrimental effects not included in wind velocity ratings