

SETA - Square Pole Top Tenon Adapter

Mounting Accessory

DESCRIPTION

Square Pole Top Tenon Adaptor to accommodate up to 4 fixtures. Includes top cover and plugs for unused hole, as well as set screws to tighten the adapter. Fits over 2 3/8" tenon on pole top.

DIMENSIONS & WEIGHT	
Adaptor Height	12.5"
Adaptor ID	2.0"
Adaptor OD	2.5"
Weight	15 lbs
EPA	.2 ft ²

MOUNTING INSTRUCTIONS

- Engage set-screws to adapter half way in.
- Slip adapter to pole tenon, then tighten set-screws.
- Mark tenon using hole "A" as guide.
- Remove adapter from tenon.
- Drill tenon through walls using 7/16" (.437") diameter drill bit.
- Install adapter back to tenon securing it with 3/8-16 through bolt, lockwasher, and hex nut.
- Tighten set-screws.
- The adapter is now ready for fixture installation.
- Install 5/16 and 5/8 plugs into unused holes.

STANDARD FINISH COLORS & MATERIAL

- 6061 Aluminum
- Powder Coat Paint Finish

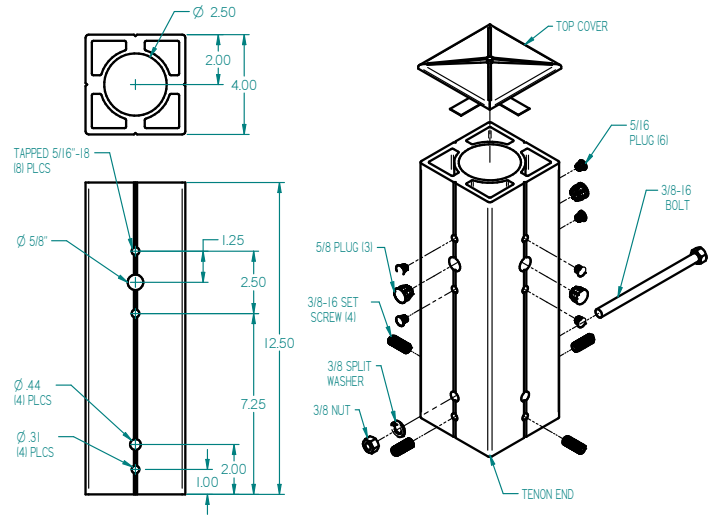
ORDERING GUIDE

CATALOG #

ORDERING INFORMATION

Series	Brand	Fixture	Size	ACC Type	Mounting Accessories	Color	Mounting Pattern
ACC-O SETA Round Tenon Adapter	Beacon	VP	1 2 3 4*	Mounting	SETA (Square Tenon Adapter)	BLT Black Matte Textured BLS Black Gloss Smooth DBT Dark Bronze Matte Textured DBS Dark Bronze Gloss Smooth GTT Graphite Matte Textured LGS Light Grey Gloss Smooth LGT Light Grey Matte Textured PSS Platinum Silver Smooth WHT White Matte Textured WHS White Gloss Smooth VGT Verde Green Textured CC Custom Color	B3 S2

*Same size SETA for any size choice



SHIPPING PACKAGE CONTENTS	
Qty	Description
1	SETA Tenon Adapter
1	Top Cover
1	3/8-16 Bolt
4	3/8-16 Set Screw
1	3/8 Split Washer
1	3/8-16 Nut
3	5/8 Plug
6	5/16 Plug
Weight	15 lbs.
EPA	.2 ft ²