

DATE: _____ LOCATION: _____
 TYPE: _____ PROJECT: _____
 CATALOG #: _____

SLING FLOOD

SGF1/SGF2/SGF3 - SWITCHABLE FLOOD

tradeSELECT®

FEATURES

- Commercial grade LED flood luminaire for use in outdoor application; commercial buildings, retail, government and educational facilities.
- Low profile housing with knuckle installed and trunnion also included for optional field installment (SGF2 and SGF3 only)
- Available in twelve wattages ranging from 20W to 320W
- Three housing sizes for scalability in the field
- 7x7 wide flood distribution



SPECIFICATIONS

CONSTRUCTION

- Die-cast aluminum die-cast housing
- Built in visor on all fixture sizes
- Tempered glass lens secured with sealant. Individual components are not field replaceable
- All units have dark bronze matte textured powder coat finish (matches Current DBT finish)
- Operating Temp -40C to 40C
- Powder paint finish provides durability in outdoor environments. Tested to meet 1000 hour salt spray rating.

OPTICS

- Matte white reflector produces wide 7x7 distribution
- Beam Angle: 115°x108°
- Field Angle: 155°x156°
- Lumen Switchable (3K, 4K, 5K) at 70 CRI

INSTALLATION

- SGF1 includes knuckle mounting only
- SGF2 and SGF3 have a slipfitter installed that fits over 2 3/8" tenon. A trunnion mount is included in the box and can be field installed.

ELECTRICAL

- All configurations are 120-347V
- SJTW Cord rated for 105C and 600V. Cord is 36 inches long with 18AWG conductors.

CONTROLS

- Built in 6kV surge protector
- Optional integral button photocontrol with cover for dusk-to-dawn operation

CERTIFICATIONS

- Listed to UL1598 and CSA C22.2#250.0-24 for wet locations and 40°C ambient temperatures
- Wet listed
- DLC® (DesignLights Consortium Qualified), with some Premium Qualified configurations. Not all product variations listed in this document are DLC® qualified. Refer to <http://www.designlights.org> for the most up-to-date list
- IP66 rated housing

WARRANTY

- 5 year warranty

KEY DATA	
Lumen Range	3,049-46,759
Wattage Range	20-320W
Efficacy Range (LPW)	125-163
Weights lbs. (kg)	2.6-18.4 (1.2-8.3)

Stock SKU	Fixture Size	Wattage	Lumen Output	Color Temp	CRI	Voltage	Controls	Mounting
SGF1-60-LSCS-UNVC-PC	SGF1 Small	20W, 40W, 60W	3049-8214	3K, 4K, 5K	70 CRI	120-347V	Photocell	Knuckle
SGF2-120-LSCS-UNVC-PC	SGF2 Medium	80W, 100W, 120W	10813 - 16488	3K, 4K, 5K	70 CRI	120-347V	Photocell	Knuckle & Trunnion
SGF3-200-LSCS-UNVC	SGF3 Large	130W, 160W, 200W	17811 - 30953	3K, 4K, 5K	70 CRI	120-347V	None	Knuckle & Trunnion
SGF3-200-LSCS-UNVC-PC							Photocell	
SGF3-320-LSCS-UNVC		200W, 280W, 300W	25156 - 46759	3K, 4K, 5K	70 CRI	120-347V	None	Knuckle & Trunnion
SGF3-320-LSCS-UNVC-PC							Photocell	

ORDERING GUIDE
STOCK ORDERING INFORMATION

Fixture Size	Color Temp	Wattage	Lumen Output	Lumens Per Watt	Mounting
SGF1-60	3000	20	3049	152	Knuckle
	4000		3485	174	
	5000		3257	163	
	3000	40	5411	138	
	4000		6184	157	
	5000		5779	147	
	3000	60	7187	123	
	4000		8214	141	
	5000		7676	132	
SGF2-120	3000	80	10813	135	Knuckle & Trunnion
	4000		11677	146	
	5000		11513	144	
	3000	100	13516	132	
	4000		14596	143	
	5000		14391	141	
	3000	120	15268	125	
	4000		16488	135	
	5000		16256	133	
SGF3-200	3000	130	17811	137	Knuckle & Trunnion
	4000		19404	149	
	5000		16541	127	
	3000	160	20801	130	
	4000		23897	149	
	5000		22401	140	
	3000	200	25808	129	
	4000		30953	155	
	5000		27702	139	
SGF3-320	3000	200	25156	126	Knuckle & Trunnion
	4000		29225	146	
	5000		27201	136	
	3000	280	35219	126	
	4000		39824	142	
	5000		37103	133	
	3000	320	40250	127	
	4000		46759	135	
	5000		43521	135	

SLING FLOOD

SGF1/SGF2/SGF3 - SWITCHABLE FLOOD

ELECTRICAL DATA

Fixture	Input Voltage (Volts)	Oper. Current (Amps)	System Power (Watts)	Fixture	Input Voltage (Volts)	Oper. Current (Amps)	System Power (Watts)
SGF1-20	120	0.17	20	SGF3-130	120	1.08	130
	277	0.07			277	0.47	
	347	0.06			347	0.37	
SGF1-40	120	0.33	40	SGF3-160	120	1.33	160
	277	0.14			277	0.58	
	347	0.12			347	0.46	
SGF1-60	120	0.50	60	SGF2-200	120	1.67	200
	277	0.22			277	0.72	
	347	0.17			347	0.58	
SGF2-80	120	0.67	80	SGF3-200	120	1.67	200
	277	0.29			277	0.72	
	347	0.23			347	0.58	
SGF2-100	120	0.83	100	SGF3-280	120	2.33	280
	277	0.36			277	1.01	
	347	0.29			347	0.81	
SGF2-120	120	1.00	120	SGF3-320	120	2.67	320
	277	0.43			277	1.16	
	347	0.35			347	0.92	

LUMINAIRE AMBIENT TEMPERATURE FACTOR (LATF)

Ambient Temperature		Lumen Multiplier
0°C	32°F	1.03
10°C	50°F	1.01
20°C	68°F	1.00
25°C	77°F	1.00
30°C	86°F	0.99
40°C	104°F	0.98

EPA

EPA (Front/Side)	
SGF1	0.46ft ² /0.16ft ²
SGF2	1.25ft ² /0.45ft ²
SGF3	2.45ft ² /0.60ft ²

PROJECTED LUMEN MAINTENANCE

Calculation Method	Ambient Temp	25,000 hrs	50,000 hrs	60,000 hrs *	100,000 hrs **	Calculated L70 ** (hrs)
TM-21-11	25C/77F	0.94	0.88	0.87	0.78	>54,000
	40C/104F	0.93	0.87	0.86	0.76	>54,000
TM-21-21	25C/77F	0.95	0.88	0.87	n/a	n/a
	40C/104F	0.94	0.87	0.86	n/a	n/a

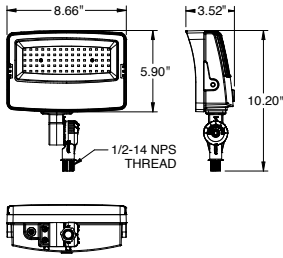
* Lumen maintenance values calculated per TM-21 using six times the LM-80 test time for the LED and in-situ thermal testing of the luminaire.
 ** Lumen maintenance values calculated per TM-21-11.

SLING FLOOD

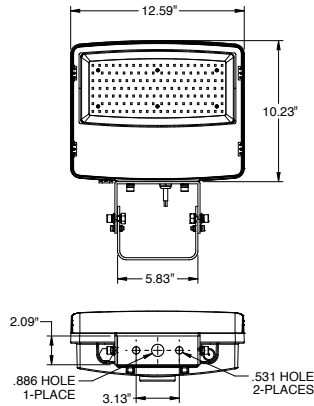
SGF1/SGF2/SGF3 - SWITCHABLE FLOOD

DIMENSIONS

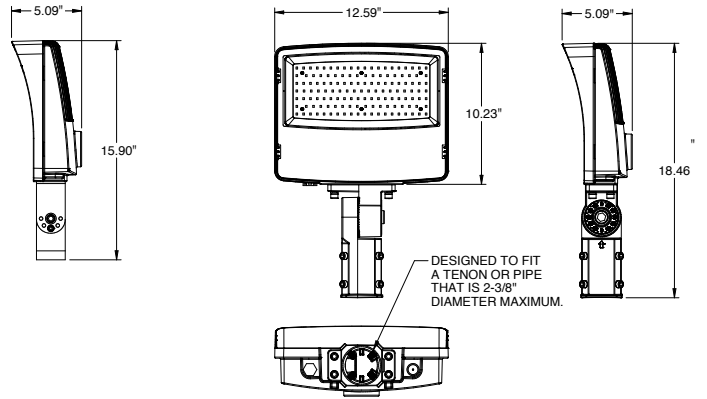
SGF1



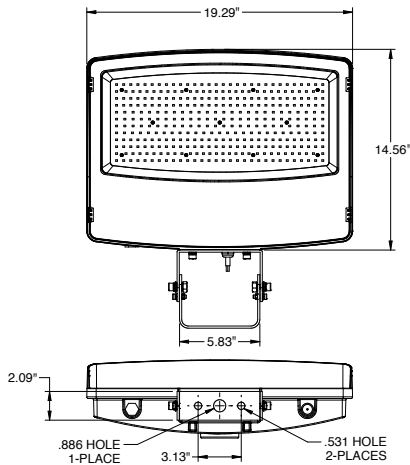
SGF2 (TRUNNION)



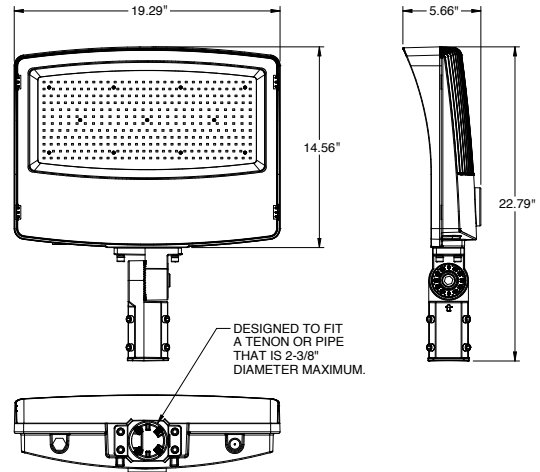
SGF2 (KNUCKLE)



SGF3 (TRUNNION)



SGF3 (KNUCKLE)



WEIGHT AND DIMENSION CHART

Configuration	Carton Size			Product Weight (lbs)
	L	W	H	Fixture Only
SGF1	12.20"	10.83"	5.71"	3.9 lbs.
SGF2	21.06"	14.76"	7.09"	13.6 lbs.
SGF3	25.00"	21.45"	7.68"	23.8 lbs.

PHOTOCONTROL

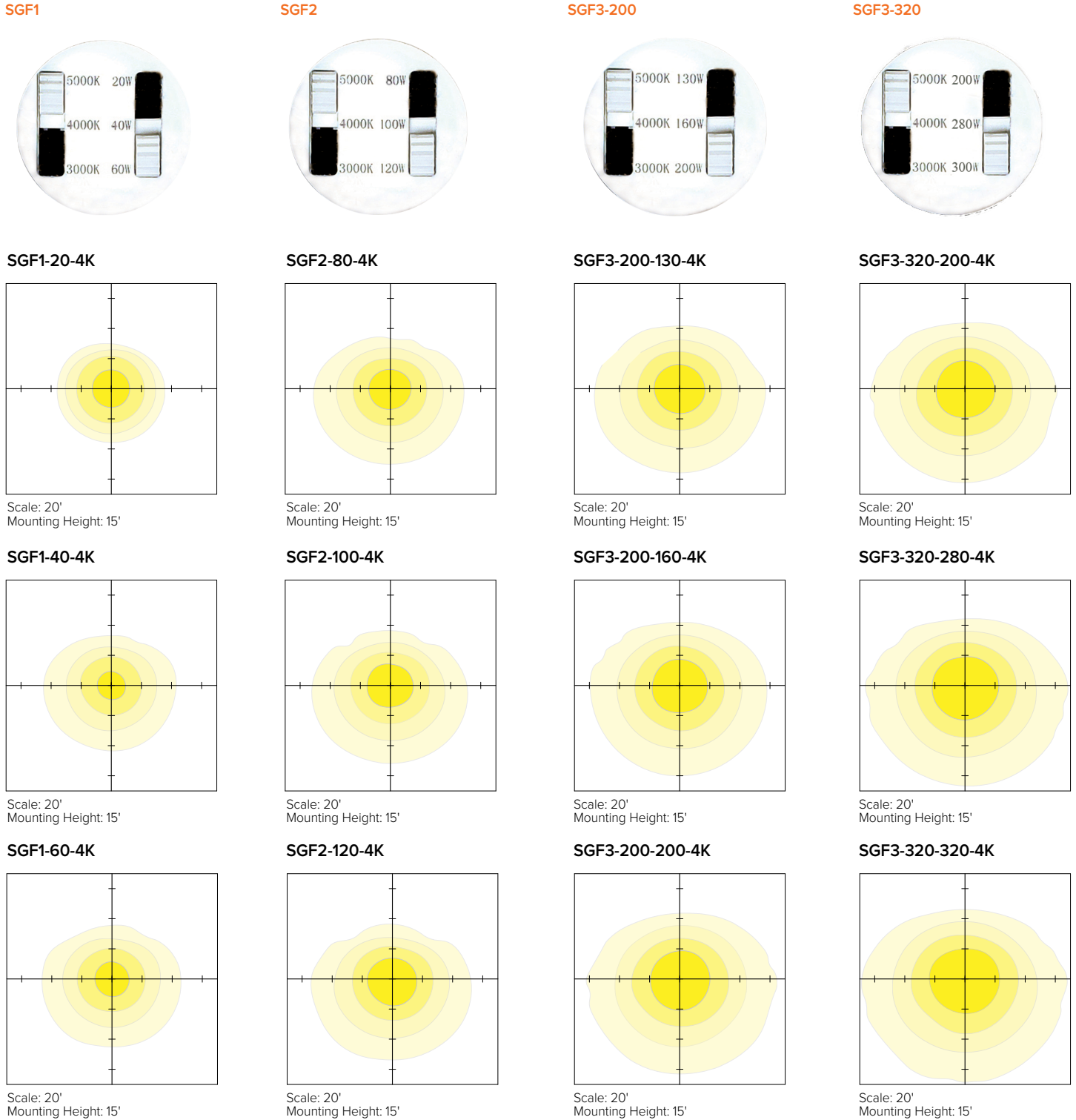
Optional integral button photocontrol with cover for dusk-to-dawn operation



SLING FLOOD

SGF1/SGF2/SGF3 - SWITCHABLE FLOOD

PHOTOMETRY



USE OF TRADEMARKS AND TRADE NAMES

All product and company names, logos and product identifies are trademarks™ or registered trademarks® of Current Lighting, Inc. or their respective owners. Use of them does not necessarily imply any affiliation with or endorsement by such respective owners.