

DATE: _____ LOCATION: _____
 TYPE: _____ PROJECT: _____
 CATALOG #: _____

SLING Site

AREA/SITE/ROAD LIGHTER

tradeSELECT™

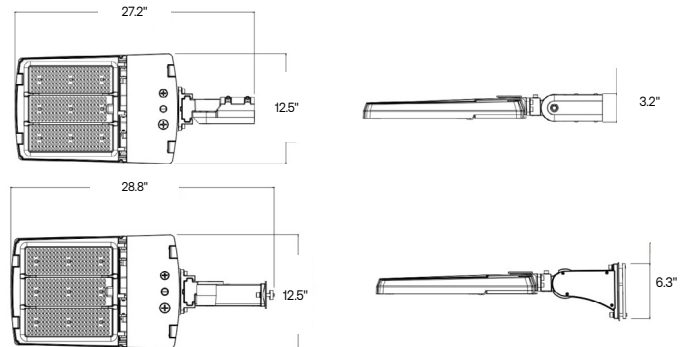
FEATURES

- Compact sleek design with multiple lumen output configurations and simple installation
- Field switchable lumens (13,000 - 23,000)
- Field switchable CCT (3000K, 4000K, 5000K)
- Ships with Type 3, Type 4, and Type 5 optics, which can easily be changed in the field
- Mounting options include Arm for Round or Square Pole and Mast Arm Fitter. Wall mountable with optional accessory
- Field installable occupancy sensor available as an optional accessory
- Default Configuration: 150W, 4000K, Type 3 Distribution

SERVICE PROGRAMS



SLING (SGS)



	Weight lbs. (kg)	EPA
SGS	11.5 (5.2)	0.624 ft ²

SPECIFICATIONS

CONSTRUCTION

- Die-cast housing with hidden vertical heat fins that are optimal for heat dissipation while keeping a clean smooth outer surface
- Corrosion resistant, die-cast aluminum housing with powder coat paint finish
- Separate optical and electrical compartment for improved thermal management and optimum component operation
- TGIC thermoset polyester powder paint finish applied at nominal 2.5 mil thickness

OPTICS

- Entire optical aperture illuminates to create a larger luminous surface area resulting in a low glare appearance without sacrificing optical performance
- Ships with Type 3, Type 4, and Type 5 optics, which are easily switchable in the field.
- Field switchable CCT (3000K, 4000K, 5000K)
- Zero uplight at 0 degrees of tilt

INSTALLATION

- Arm mounting with S2 drill pattern and knuckle capable of rotating upward 30-degrees at 5-degree increments.
- Mast Arm Fitter for 2-3/8" OD tenons with built-in knuckle rotatable upward and downward 90-degrees at 5-degree increments.

ELECTRICAL

- Universal 120-347VAC Input
- Ambient operating temperature -40C to 50C
- Drivers have greater than 90% power factor and less than 20% THD
- LED drivers have output power over-voltage, over-current protection and short circuit protection with auto recovery
- 10KV Surge protection is standard

CONTROLS

- 0-10 Volt Dimmable Driver Standard controls

CERTIFICATIONS

- Listed to UL1598 and CSA C22.2#250.0-24 for wet locations
- 3G rated for ANSI C136.31 high vibration applications
- IP65 optical assembly
- DesignLights Consortium (DLC) qualified, consult DLC website for more details: <http://www.designlights.org/QPL>

WARRANTY

- 5 Year warranty

SLING Site

AREA/SITE/ROAD LIGHTER

STOCK ORDERING INFORMATION

Catalog Number	Includes (each component individually packaged)	Lumens	Wattage	CCT	Voltage	Distribution
SGS-150-LSCS-UNVC-HEAD	Fixture Head Only	13,302-22,944	85-150	3000K 4000K 5000K	120-347V	Type 3 Type 4 Type 5
SGS-ARM	Arm mounting with S2 drill pattern and knuckle capable of rotating upward 30-degrees at 5-degree increments					
SGS-MAF	Mast Arm Fitter for 2-3/8" OD tenons with built-in knuckle rotatable upward and downward 90-degrees at 5-degree increments					

KITS

Catalog Number	Includes (each component individually packaged)	Lumens	Wattage	CCT	Voltage	Distribution
SGS-150-A-LSCS-UNVC	SGS-150-LSCS-UNVC-HEAD SGS-ARM	13,302-22,944	85-150	3000K 4000K 5000K	120-347V	Type 3 Type 4 Type 5
SGS-150-MAF-LSCS-UNVC	SGS-150-LSCS-UNVC-HEAD SGS-MAF	13,302-22,944	85-150	3000K 4000K 5000K	120-347V	Type 3 Type 4 Type 5
SGS-150-C-LSCS-OCC-UNVC*	SGS-150-LSCS-UNVC-HEAD SGS-ARM SGS-MAF HBO3DPR	13,302-22,944	85-150	3000K 4000K 5000K	120-347V	Type 3 Type 4 Type 5

* Programming remote required, typically one per site to program the sensors: HBO3DPR-REMOTE

KIT (SGS-150-A-LSCS-UNVC) INCLUDES:



SGS-150-LSCS-UNVC-HEAD



SGS-ARM

KIT (SGS-150-MAF-LSCS-UNVC) INCLUDES:



SGS-150-LSCS-UNVC-HEAD



SGS-MAF

KIT (SGS-150-C-LSCS-OCC-UNVC) INCLUDES:



SGS-150-LSCS-UNVC-HEAD



SGS-ARM



SGS-MAF



HBO3DPR

SLING Site

AREA/SITE/ROAD LIGHTER

ACCESSORIES (ORDERED SEPARATELY)

Catalog Number	Description
HB03DPR	Field Installed Occupancy and Daylight Sensor
HB03DPR-REMOTE	Programming Remote for HB03DPR Sensor (Typically one required per site to program the sensors)
SGS-HSS	Field Installed House Side Shield
241-C-DBT	Flat surface bracket (Wall Mount Accessory. Compatible with MAF mounting only)

STOCK POLE COMBO*

Catalog Number	Pole	Single or Double	Fixture	Distribution
SGS-150-LSCS-S20	20' Square Straight Steel	Single Head	SGS-150-A-LSCS-UNVC	Type 3, Type 4, Type 5
SGS-150-LSCS-S20-2X	20' Square Straight Steel	Double Head	SGS-150-A-LSCS-UNVC	Type 3, Type 4, Type 5
SGS-150-LSCS-S25	25' Square Straight Steel	Single Head	SGS-150-A-LSCS-UNVC	Type 3, Type 4, Type 5
SGS-150-LSCS-S25-2X	25' Square Straight Steel	Double Head	SGS-150-A-LSCS-UNVC	Type 3, Type 4, Type 5

* Stock poles are DBT (Dark Bronze Textured) 4 inch shaft, 0188 Wall Thickness with an S2 Drill Pattern
Contact Canadian sales team for pole combo opportunities in Canada.



HB03DPR



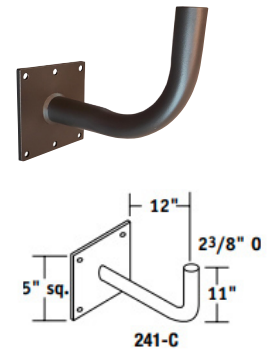
HB03DPR-Remote



House Side Shield



241-C-DBT



SLING Site

AREA/SITE/ROAD LIGHTER

PERFORMANCE DATA

Description	Nominal Wattage	System Watts	Dist. Type	5K (5000K NOMINAL 80 CRI)					4K (4000K NOMINAL 80 CRI)					3K (3000K NOMINAL 80 CRI)				
				Lumens	LPW	B	U	G	Lumens	LPW	B	U	G	Lumens	LPW	B	U	G
SGS	85	81.7	3	13826	169	2	0	2	13972	171	2	0	2	13244	162	2	0	2
			4	13840	170	2	0	2	13986	171	2	0	2	13257	162	2	0	2
			5	13605	166	4	0	3	13749	168	4	0	3	13032	159	4	0	3
	120	116.0	3	18813	162	3	0	3	19011	164	3	0	3	18020	155	3	0	3
			4	18807	162	3	0	3	19005	164	3	0	3	18014	155	3	0	3
			5	18490	159	4	0	4	18685	161	4	0	4	17711	153	4	0	3
	150	145.1	3	22666	156	3	0	3	22905	158	3	0	3	21711	150	3	0	3
			4	22704	156	3	0	3	22944	158	3	0	3	21747	150	3	0	3
			5	22277	154	5	0	4	22512	155	5	0	4	21338	147	5	0	4

¹ VAC input Lumen values are from photometric test performed in accordance with IESNA LM-79-08. Data is considered to be representative of the configurations. Actual performance may differ as a result of end-user environment and application.

NOTE Default Configuration shaded above

ELECTRICAL DATA

Family	Nominal Wattage	Input Voltage (Volts)	Current (AMPS)	System Power (Watts)
SLING (SGS)	85	120	0.68	81.7
		208	0.39	
		240	0.34	
		277	0.29	
		347	0.24	
	120	120	0.97	116.0
		208	0.56	
		240	0.48	
		277	0.42	
		347	0.33	
	150	120	1.21	145.1
		208	0.70	
		240	0.60	
		277	0.52	
		347	0.42	

PROJECTED LUMEN MAINTENANCE

Calculation Method	Ambient Temp	25,000 hrs	36,000 hrs	54,000 hrs
TM-21-11	25°C / 77°F	0.95	0.92	0.89
	50°C / 122°F	0.94	0.91	0.87
TM-21-21	25°C / 77°F	0.95	0.92	0.89
	50°C / 122°F	0.94	0.91	0.87

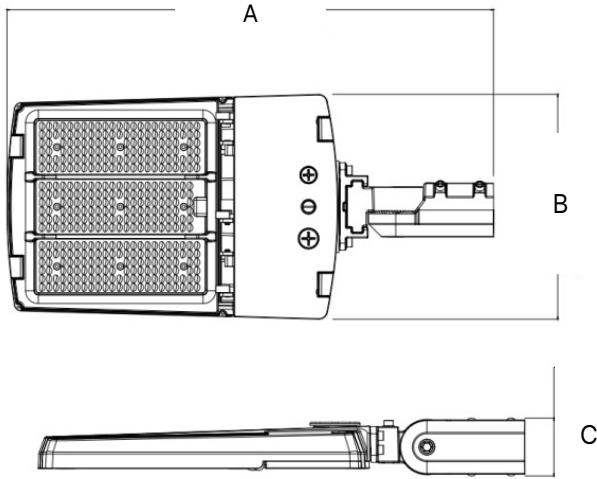
LUMINAIRE AMBIENT TEMPERATURE FACTOR (LATF)

Ambient Temperature		Lumen Multiplier
0° C	32° F	1.06
10° C	50° F	1.03
20° C	68° F	1.01
25° C	77° F	1.00
30° C	86° F	0.99
40° C	104° F	0.97

Use these factors to determine relative lumen output for average ambient temperatures from 0-40°C (32-104°F).

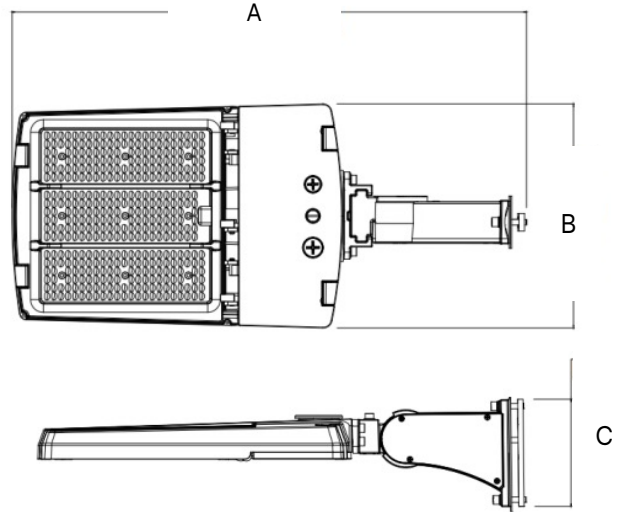
DIMENSIONS

SGS MAF MOUNT



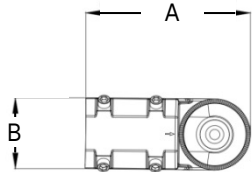
A	B	C	Weight
27.2"	12.5"	3.2"	SGS 11.5 lbs (5.2 kgs)
691mm	318mm	81mm	

SGS ARM MOUNT



A	B	C	Weight
28.8"	12.5"	6.3"	SGS 11.5 lbs (5.2 kgs)
732mm	318mm	160mm	

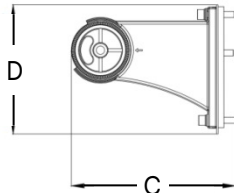
MAF



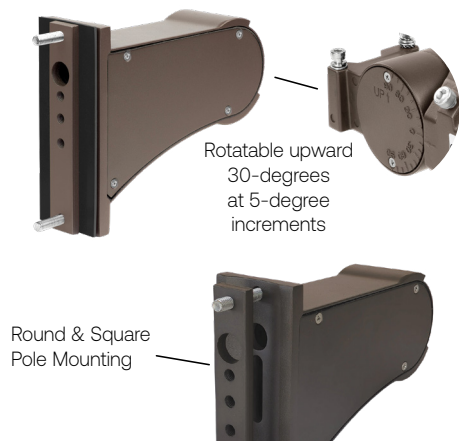
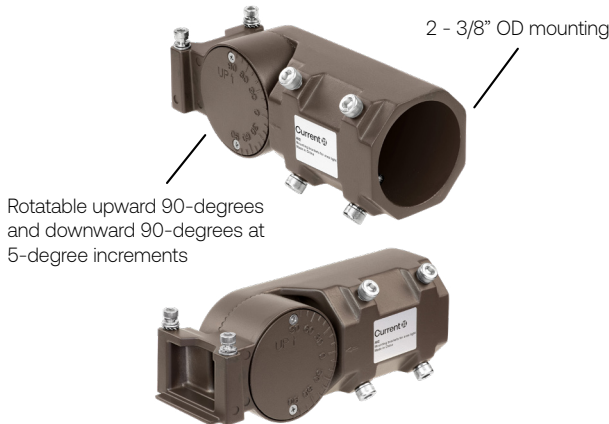
A	B	C	D
6.9"	3.0"	8.6"	6.7"
175mm	76mm	218mm	1701mm

Weight
SGS 11.5 lbs (5.2 kgs)

ARM

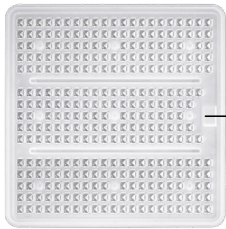


EPA (ft²)		Configuration
Single Fixture	0.62	
Two at 180	1.53	
Two at 90	0.99	
Three at 90	1.53	
Three at 120	1.29	
Four at 90	1.53	

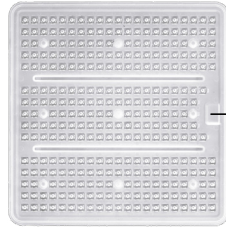


SLING Site

AREA/SITE/ROAD LIGHTER



Type 4
Embossed
distribution type



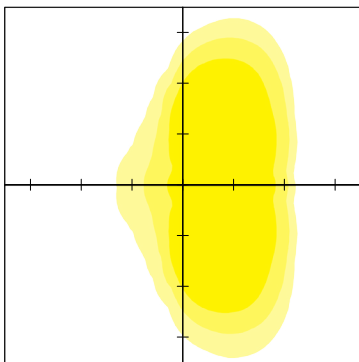
Type 5
Embossed
distribution type



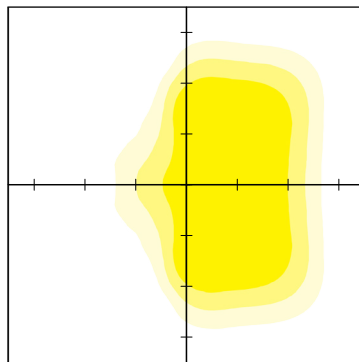
PHOTOMETRY

The following diagrams represent the general distribution options offered for this product.

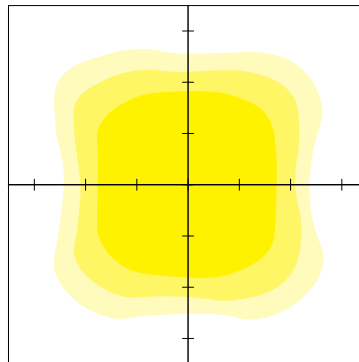
Type III



Type IV



Type V

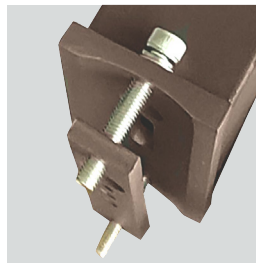


ADDITIONAL INFORMATION

MOUNTING



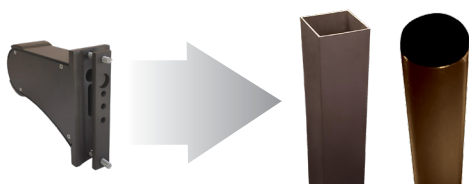
Arm Mount – Fixture ships with integral arm for ease of installation. Compatible with S2 drill pattern.



Remove black gasket to serve as RPA for 4"-5" OD poles

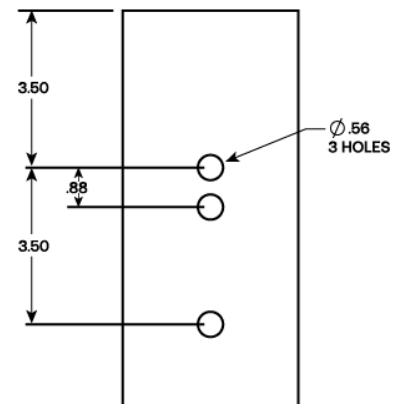


MAF – Fits 2-3/8" OD arms Roadway applications.



ROUND/SQUARE POLE ADAPTER

DRILL PATTERN S2



SLING Site

AREA/SITE/ROAD LIGHTER

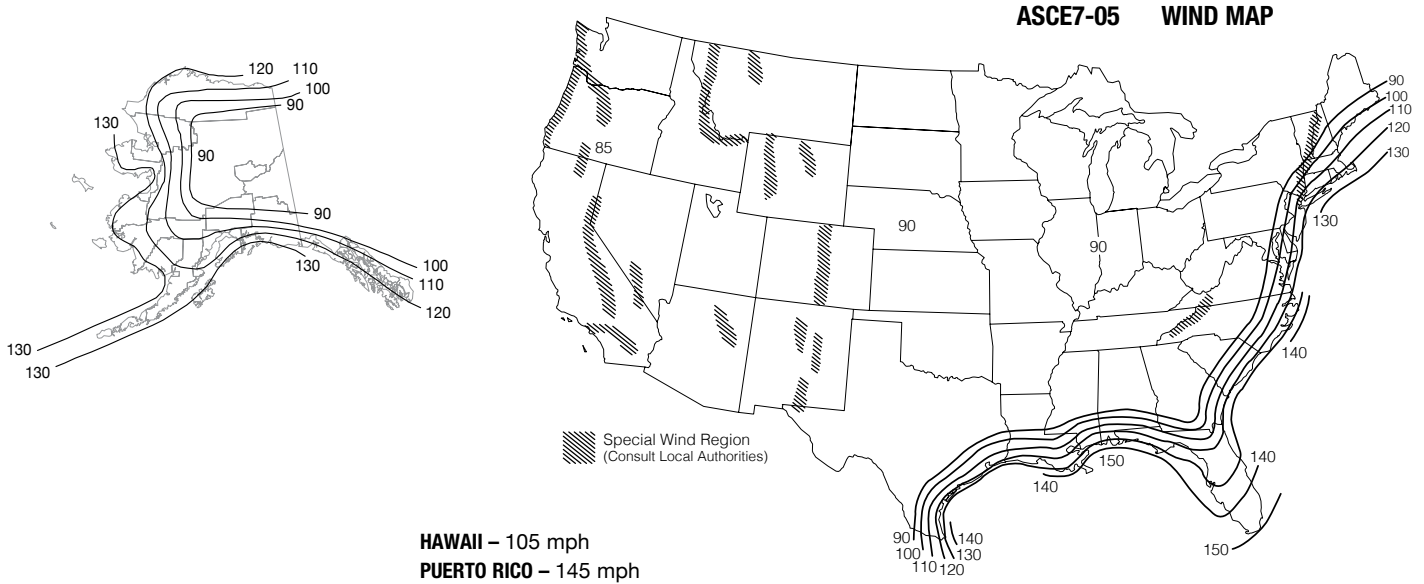
ASCE7-05 Wind Map (AASHTO LTS-4)																				
	85 MPH		90 MPH		100 MPH		105 MPH		110 MPH		120 MPH		130 MPH		140 MPH		145 MPH			
	20'	25'	20'	25'	20'	25'	20'	25'	20'	25'	20'	25'	20'	25'	20'	25'	20'	25'		
Pole Height (4" Sq x 0.125" wall thickness)	20'	25'	20'	25'	20'	25'	20'	25'	20'	25'	20'	25'	20'	25'	20'	25'	20'	25'	20'	25'
Allowable EPAs (ft/sq)	12.7	7.3	10.9	5.9	7.9	3.8	6.9	2.9	5.9	2.1	4.2	0.8	2.8	NR	1.7	NR	1.3	NR	NR	
Viper Size 1, single - VP Series														NR		NR			NR	
Viper Size 1, 2@180 - VP Series														NR		NR			NR	

Florida Region Wind Map (2017 Building Code)																
	115 MPH Zone		120 MPH Zone		130 MPH Zone		140 MPH Zone		150 MPH Zone		160 MPH Zone		170 MPH Zone		180 MPH Zone	
	20'	25'	20'	25'	20'	25'	20'	25'	20'	25'	20'	25'	20'	25'	20'	25'
Pole Height (4" Sq x 0.125" wall thickness)	20'	25'	20'	25'	20'	25'	20'	25'	20'	25'	20'	25'	20'	25'	20'	25'
Allowable EPAs (ft/sq)	13.6	7.4	11.9	6.2	9.2	4.1	7.1	2.5	5.3	1.1	3.9	NR	2.7	NR	1.7	NR
Viper Size 1, single - VP Series												NR		NR		NR
Viper Size 1, 2@180 - VP Series												NR		NR		NR

Acceptable
Exceeds Allowable Pole EPA
Not Recommended

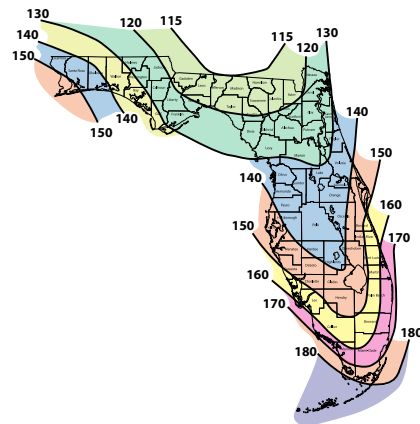
Florida Building Code utilizes a different calculation method than ASCE, which results in different allowable EPAs. Consult your local authorities to determine which standard to use for your project.

Notes: The VM14DB, vibration damper, is available for initial installation or can be installed after the poles are erected should vibration prove to be a problem.
*Consult the complete list of pole notes on the pole specification sheets located on the Current web site.



FLORIDA REGION WIND MAP (2017 FLORIDA BUILDING CODE)

- Florida region wind map above is based upon 3-second gust winds and the 2017 Florida Building Code



*PRINTED WITH PERMISSION FROM ASCE