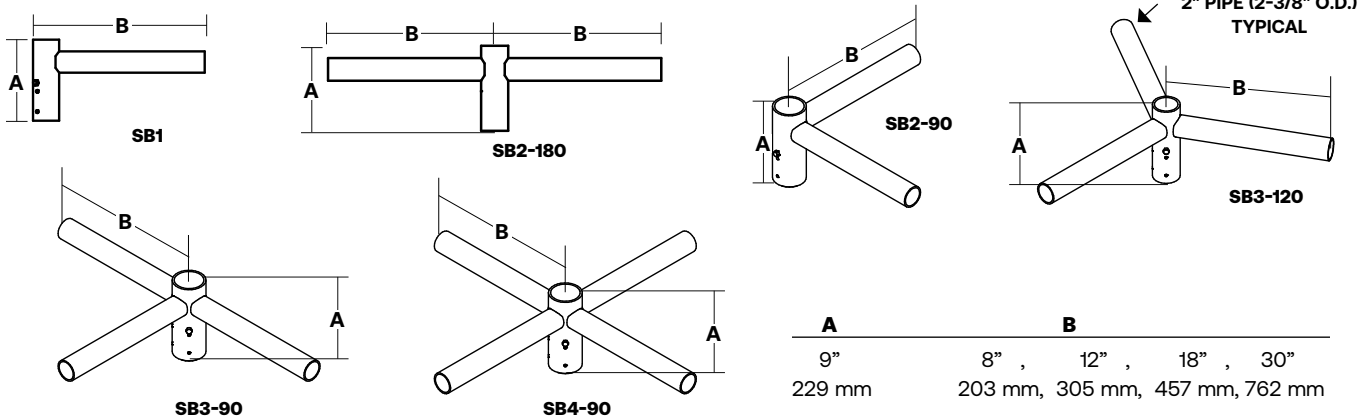


## ORDERING INFORMATION

### SPOKE TYPE BRACKETS (STEEL)

(order as separate part #, field installed)

Catalog Number	Description	Max allowable load per tenon	Bracket EPA, MAX.	Bracket weight, MAX
<b>SB1</b>	Single	60 lbs (27.2 kg)	0.6	18
<b>SB2-180</b>	Twin, 2@180	60 lbs (27.2 kg)	1.0	27
<b>SB2-90</b>	Twin, 2@90	60 lbs (27.2 kg)	0.8	27
<b>SB3-120</b>	3 @ 120	60 lbs (27.2 kg)	0.9	36
<b>SB3-90</b>	3 @ 90	60 lbs (27.2 kg)	1.0	36
<b>SB4-90</b>	4 @ 90	60 lbs (27.2 kg)	1.0	45



### ORDERING INFORMATION – ORDERING EXAMPLE: SB-2-180-PT25-BL

<b>SB</b>	-		-		-		-	
CONFIGURATION	LENGTH	POLE TENON SIZE	COLOR					
1	8"	PT20 2" pipe tenon (2.38" O.D.)	DB Dark bronze textured					
2-180	12"	PT25 2.5" pipe tenon (2.88" O.D.)	BL Black textured					
2-90	18"	PT35 3.5" pipe tenon (4.0" O.D.)	WH White textured					
3-120	24"		GR Gray textured					
3-90	30"		PS Platinum silver smooth					
4-90			GYS Light gray smooth					
			BZT Bronze textured					
			BBT Basic black textured					