

# WPBB - Wall Pack Back Box

## MOUNTING ACCESSORY

### DESCRIPTION

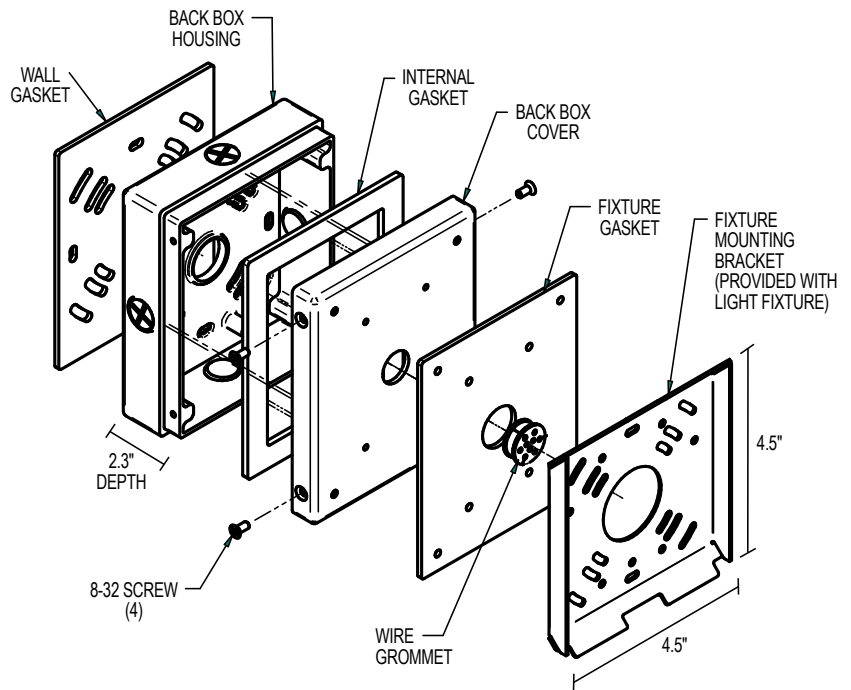
An aluminum wall back box for conduit entry. Easily mounts to a recessed junction box and contains two 1/2" threaded conduit entry hubs.



DIMENSIONS & WEIGHT	
Box Diameter	4.5" square
Box Depth	2.3"
Weight	1 lb.

### MOUNTING INSTRUCTIONS

- Attach back box housing to desired wall location, with wall gasket installed to the rear of the back box.
- Attach fixture mounting bracket to back box cover with fixture gasket installed between.
- Consult fixture installation instructions to attach fixture to mounting bracket. Fixtures wires to be routed through wire grommet.
- Consult fixture installation instructions for wiring instructions. Wiring connections to be made inside back box.
- Attach back box cover to back box housing with provided screws and with internal gasket installed between (refer to picture).



### STANDARD FINISH COLORS & MATERIAL

- Material: Aluminum
- Finish: Powder Paint

### ORDERING GUIDE

Example: ACC-O-WP-BB-BLT

CATALOG #

### ORDERING INFORMATION

Series	Color
ACC-O-WP-BB WPBB - Wall Pack Back Box	BLT Black Matte Textured
	BLS Black Gloss Smooth
	DBT Dark Bronze Matte Textured
	DBS Dark Bronze Gloss Smooth
	GTT Graphite Matte Textured
	LGS Light Grey Gloss Smooth
	LGT Light Grey Matte Textured
	PSS Platinum Silver Smooth
	WHT White Matte Textured
	WHS White Gloss Smooth
	VGTT Verde Green Textured
CC Custom Color	

SHIPPING PACKAGE CONTENTS	
Qty	Description
1	Back Box Housing
1	Back Box Cover
1	Wall Gasket
1	Internal Gasket
1	Fixture Gasket
1	Wiring Grommet
4	8-32 Screw