

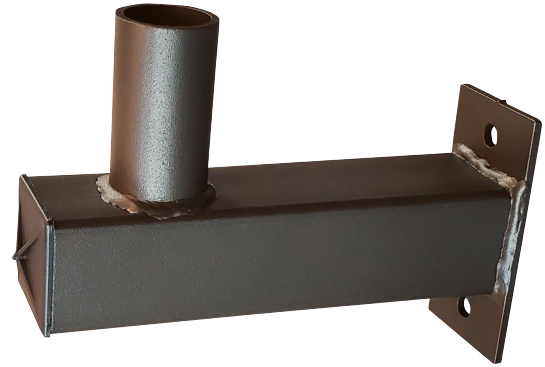
FLB12 -12" Floodlight Bracket for Pole

MOUNTING ACCESSORY

DESCRIPTION

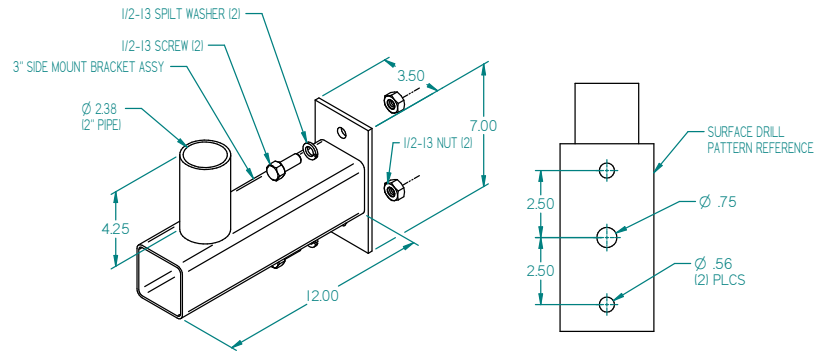
This is a 12" Floodlight bracket that accommodates a 2 3/8" knuckle mount. The bracket then attaches to the side of a pole using the specified drill pattern

DIMENSIONS & WEIGHT	
Arm Length	12"
Tenon Height	4.25"
Tenon Pipe OD	2.38"
Tenon Pipe ID	2.0"
Weight	8 lbs.



MOUNTING INSTRUCTIONS

- Position Floodlighting bracket to desired mounting surface with the (2) holes lined up to pre-drilled holes in surface.
- Secure with (2) 1/2-13 screws, (2) 1/2 split washers and (2) 1/2-13 nuts.
- Pull necessary wiring through middle 3/4" hole in bracket and up through tenon.
- Install end cap.



STANDARD FINISH COLORS & MATERIAL

- Steel
- Finish Powder Paint

ORDERING GUIDE

CATALOG # Example: FLB-12-BLT

ORDERING INFORMATION

Series	Color
FLB-12 12" Floodlight Bracket for Pole	BLT Black Matte Textured BLS Black Gloss Smooth DBT Dark Bronze Matte Textured DBS Dark Bronze Gloss Smooth GTT Graphite Matte Textured LGS Light Grey Gloss Smooth LGT Light Grey Matte Textured PSS Platinum Silver Smooth WHT White Matte Textured WHS White Gloss Smooth VGT Verde Green Textured CC Custom Color

SHIPPING PACKAGE CONTENTS	
Qty	Description
1	12" FLB Bracket
1	End Cap
2	1/2-13 Screw
2	1/2 Split Washer
2	1/2-13 Nut
EPA	.6ft ²
Weight	8 lbs.

FLB12 - 12" Floodlight Bracket for Pole

MOUNTING ACCESSORY

[MORE IMAGES](#)

