

ACE[®] LED Bracket Options Signal Retrofit for Transit and Wayside

Current has developed brackets that fit in existing housings. Each of them have a unique hole pattern to fit your needs. Custom brackets are available, please contact your sales representative for more information.



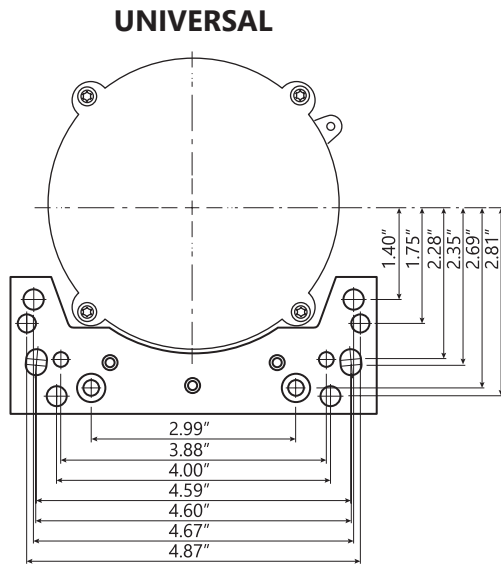
Project Name _____

Date _____ Type _____

Notes _____

Mechanical Outlines

Dimensions in inches



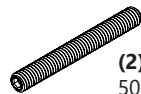
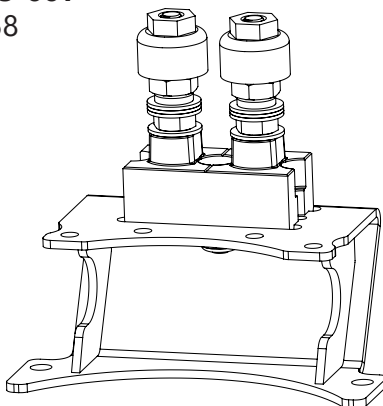
Bracket Kit Options

Bracket Model Number	Bracket Description	Hole Pattern**
93155242	BRA-TR3-100	Universal
93068258	BRA-TR3-001	Type A
93068259	BRA-TR3-002	Type B
93068260	BRA-TR3-003	Type C
93068261	BRA-TR3-004	Type D
93068262	BRA-TR3-005	Type E
93068263	BRA-TR3-006	Type F
93068264	BRA-TR3-007	Type G
93068265	BRA-TR3-008	Type H
93068746	BRA-TR3-009	Type I

Each bracket kit includes the following items:

- A bracket
- An AREMA terminal
- The hardware required (screws, spacers, etc.)

BRA-TR3-001 93068258



(2) SET SCREW-M6,
50MM LONG

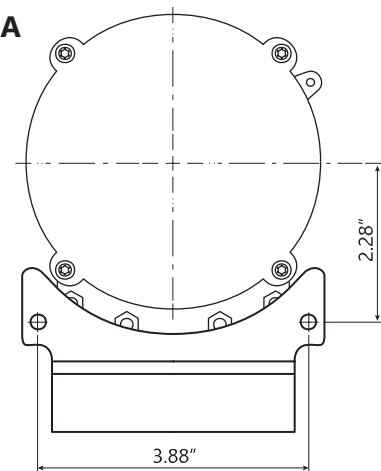


(2) FLAT WASHER



(2) NYLON-INSERT
LOCKNUT

TYPE A



ACE® LED - Bracket Options Signal Retrofit for Transit and Wayside

Project Name _____

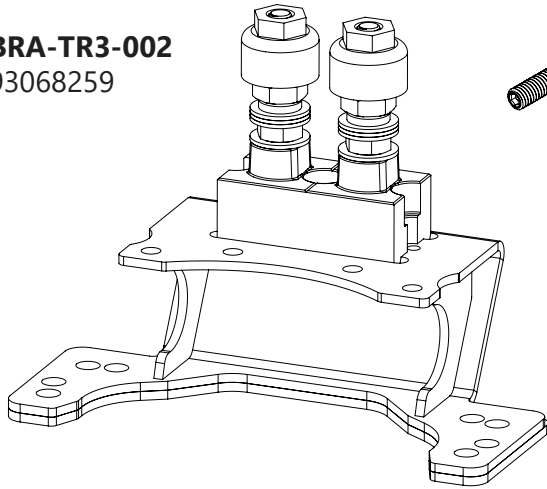
Date _____ Type _____

Notes _____

Mechanical Outlines

Dimensions in inches

BRA-TR3-002
93068259

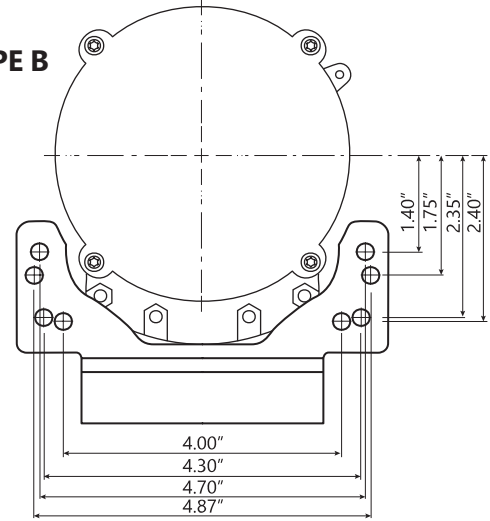


(2) SET SCREW-M6,
40MM LONG

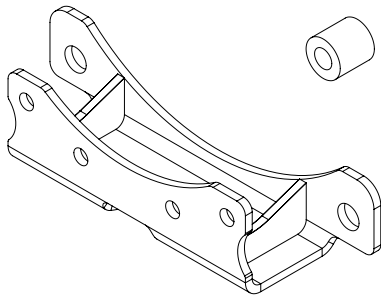
(2) SPACER,
13MM LENGTH

**(2) FLANGE
NUT M6**

TYPE B

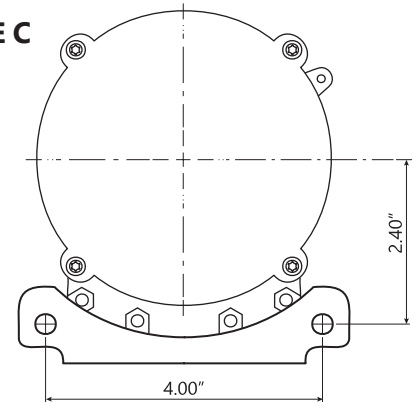


BRA-TR3-003
93068260

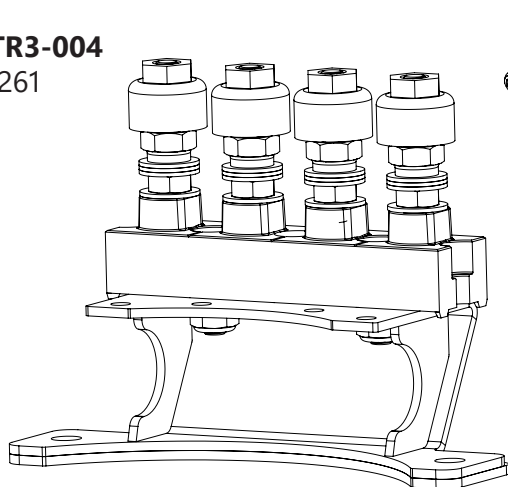


(2) SPACER,
1/2" LENGTH

TYPE C



BRA-TR3-004
93068261

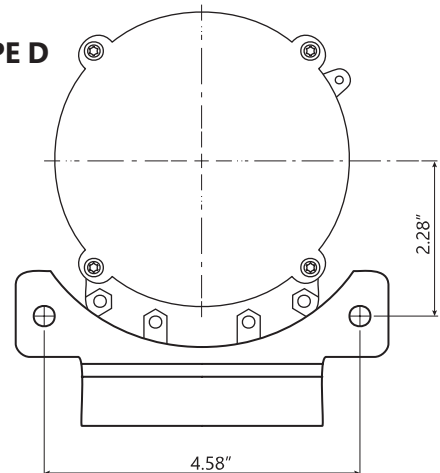


**(2) 1/4"-20 SET
SCREW, 1-3/4" LONG**

(2) SPACER,
1/2" LENGTH

**(2) SERRATED-
FLANGE LOCKNUT**

TYPE D



ACE® LED - Bracket Options Signal Retrofit for Transit and Wayside

Project Name _____

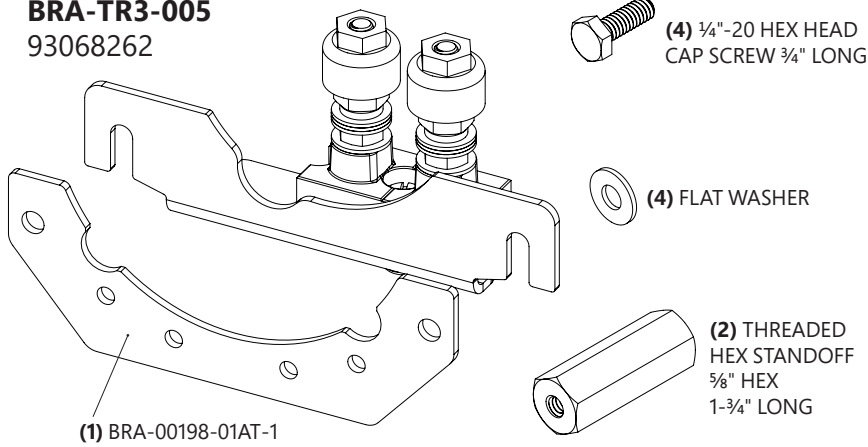
Date _____ Type _____

Notes _____

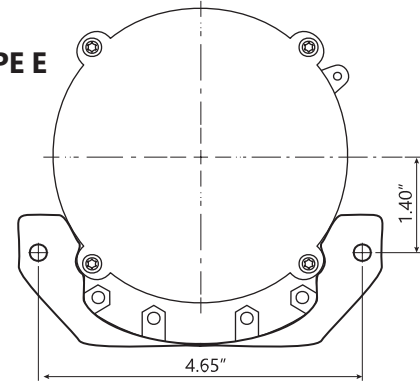
Mechanical Outlines

Dimensions in inches

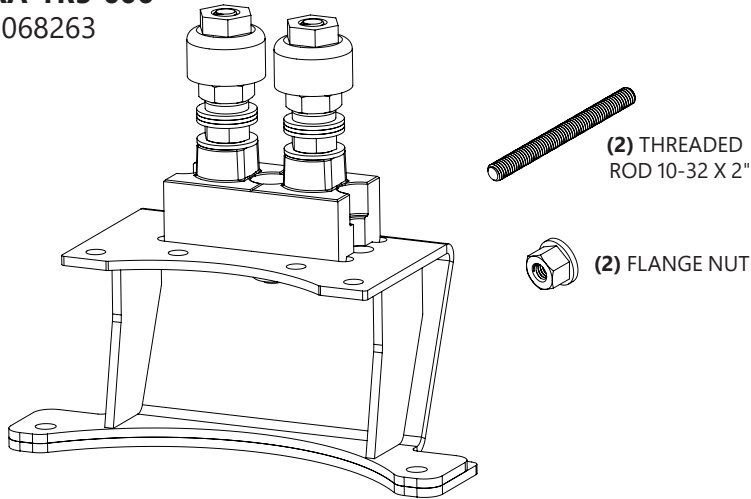
BRA-TR3-005
93068262



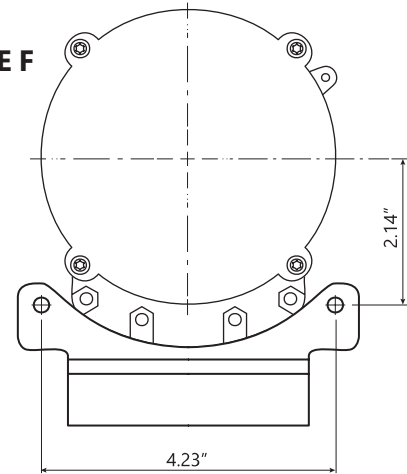
TYPE E



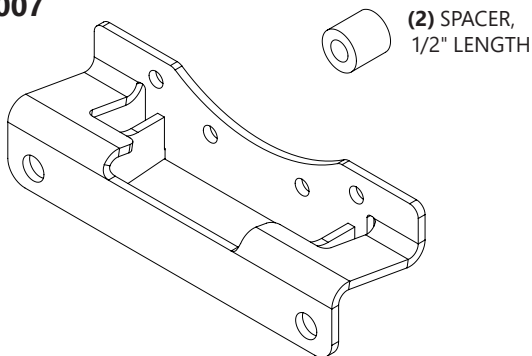
BRA-TR3-006
93068263



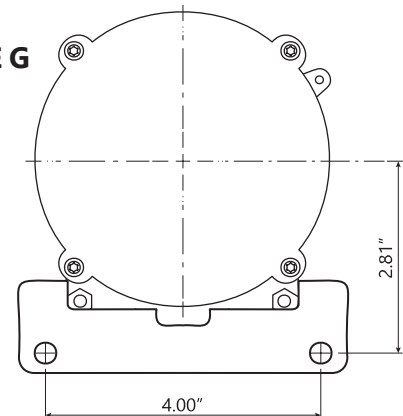
TYPE F



BRA-TR3-007
93068264



TYPE G



ACE® LED - Bracket Options Signal Retrofit for Transit and Wayside

Project Name _____

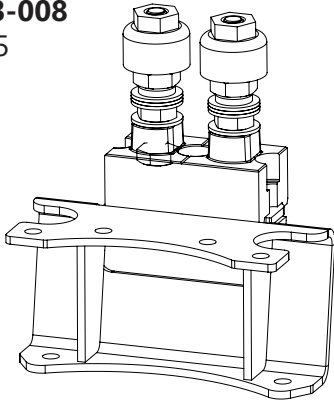
Date _____ Type _____


Notes _____

Mechanical Outlines

Dimensions in inches

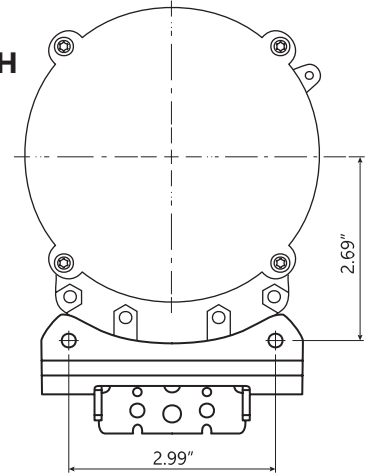
BRA-TR3-008
93068265



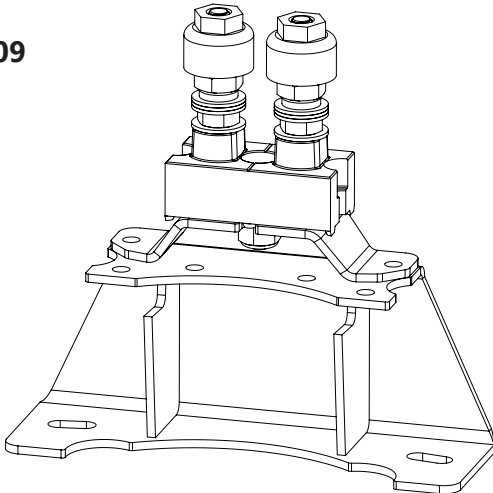
 (2) 10-32 MACHINE
SCREW 3/4" LONG

 (2) FLAT WASHER

TYPE H



BRA-TR3-009
93068746



TYPE I

