

LED Countdown Pedestrian Signals

16 x 18 inch

Project Name _____

Date _____ Type _____

Notes _____

EXCELLENT APPEARANCE & VISIBILITY

- Robust LED system design enables high luminous intensity over product life cycle
- Efficient optical system minimizes power consumption while providing excellent uniformity and viewing angles
- Single piece transparent front window with internal masking to prevent:
 - countdown and icons display from being readily visible when not in operation
 - scratches and abrasions compared with external silk screen technology
- Bright and clear icons
- Fully uniform look
- Improved luminous intensity uniformity

OUTSTANDING RELIABILITY & ROBUST OPERATION

- Internal conflict monitor preventing walk and don't walk indications to light up at the same time
- Individual power supply drives each display to ensure proper indication

MEETS RIGOROUS CERTIFICATION & TESTING STANDARDS

- All VLA-USA LED signals are manufactured in the United States, in full compliance with the Build America, Buy America (BABA) Act requirements.
- Intertek ETL Verified compliant
- DOE compliant
- Using MIL-STD-810F and NEMA 250-1991 Type 4 for environmental robustness, passed reliability and qualification testing including high temperature, high humidity cycling (HTHH for 1,000 hours)
- Compliant (for Full Hand/Full Person) with the ITE PTCSI LED Signal Modules - version dated August 2010



The Greatest Signals Stand the Test of Time.™

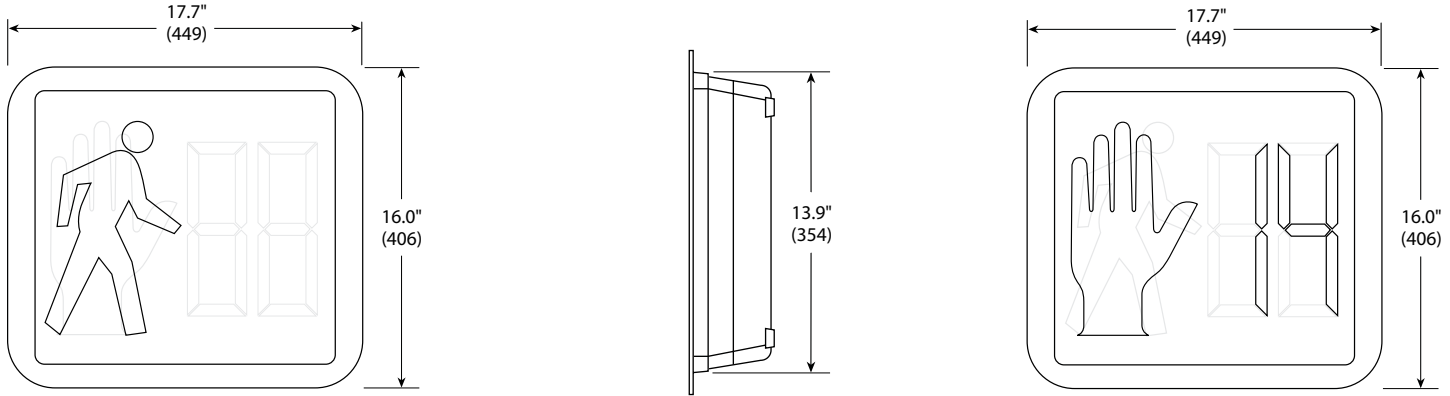
GTX® City LED Countdown Pedestrian Signals

16 x 18 inch module

Project Name _____
 Date _____ Type _____
 Notes _____

Mechanical Outline

Dimensions in inches (mm)



Design Compliance

Test type	Compliance
Luminous Intensity, Uniformity & Viewing Angles	ITE PTC SI LED Signal Modules version of August 2010
Chromaticity	ITE PTC SI LED Signal Modules version of August 2010
Moisture Resistance	MIL-STD-810F Procedure 1, Rain & Blowing Rain
Mechanical Vibration	MIL-STD-883 Test Method 2007
Electronic Noise	FCC Title 47 Sec 15 Sub. B ¹
Transient Voltage Protection	Sec. 2.1.6 NEMA TS 2-2003 Sec. 2.1.8 NEMA TS 2-2003
Controller Compatibility	NEMA TS-2-2003
Transient Suppression	Sec. 8.2 IEC 1000-4-5 & Sec. 6.1.2 ANSI/IEEE C62.41.2 - 2002, 3KV, 2 Ω Sec. 8.0 IEC 1000-4-12 & Sec. 6.1.1 ANSI/IEEE C62.41.2 - 2002, 6KV, 30 Ω
Wiring	NFPA 70, National Electric Code
Digits	MUTCD 2014, Section 4E.07, Countdown Numbers Minimum 9" Height & 7" Width
Symbols	ITE PTC SI LED Signal Modules version as of August 2010, 11" Height & 7" Width

¹ Class A

Operating Specifications

Parameter	Rating
Operating Temperature Range*	-40 to +74°C (-40 to +165°F)
Operating Voltage Range	80 to 135 V (60Hz AC)
Power Factor (PF)	> 90%
Total Harmonic Distortion (THD)	< 20%
Voltage Turn-Off (VTO)	35 V
Start-up Time	< 75msec
Lens & Shell Material	UV Stabilized Polycarbonate
Wiring	18 AWG, Color Coded with Strain Relief
LED Color	Hand: Portland Orange Person: Lunar White Countdown: Portland Orange
Conflict Default Condition	Hand only

* Performed in compliance with ITE test method described in the technical notes

Product Information

Model Number	Dimensions		Symbol		AC Voltage Nominal	Power (W)			Minimum Luminous Intensity Cd/m ²	
	Dimensions	Layout	Hand	Person		Hand	Person	Countdown	Hand/Digit	Person
PS7-CFF1-VLA-USA	16 x 18 in	Overlay Countdown	Full	Full	120V - 60Hz	6	6	8	1400	2200

¹ Class A.

Test Condition : Ta = 25°C. All values are design or typical values when measured under laboratory conditions.