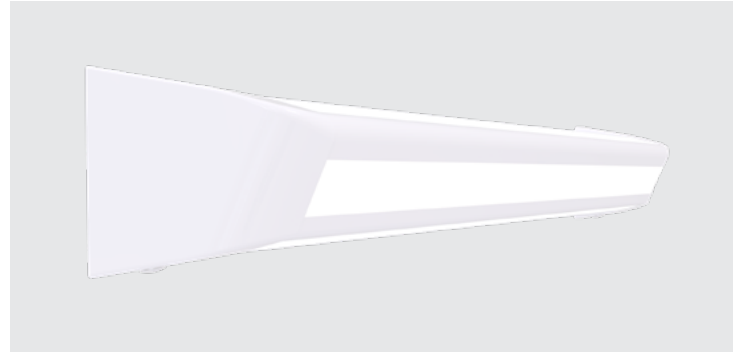


REMEDY™

LED MULTI-FUNCTION BED LIGHT

FEATURES

- The unique design eliminates the issues with typical multi-function bed lights while delivering enhanced performance
- Four distinct optical compartments deliver the recommended illumination levels for ambient, reading, examination and night lighting
- The optional full-length, indirect night light is available in white or amber light color and can conveniently be controlled from either end of the luminaire with the 3-way switching option
- The standard antimicrobial finish and soft form supports infectious disease control efforts



SPECIFICATIONS

CONSTRUCTION

- Die cast and extruded aluminum body
- 16-gauge galvanized steel back plate and 20-gauge cold rolled steel wireway
- The acrylic lens present a smooth room-side surface for simple wipe-down
- The luminaire body has a polyester powder coat paint finish with an antimicrobial compound additive to inhibit the growth of microbes
- Three standard colors are available with custom colors available upon request

OPTICS

- LED source is available in CCTs of 3000K, 3500K, 4000K and 5000K CCT with either > 80 or > 90 CRI
- The 90 CRI has an R9 of 70 for excellent color rendering
- LEDs have > 60,000 hour life with 80% lumen maintenance

INSTALLATION

- The back plate is mounted over the electrical junction box and secured to the wall structure or with wall anchors. The housing latches onto back plate and is secured with fasteners

ELECTRICAL

- Individual, universal-voltage drivers (120–277V, 50/60 Hz) are provided for each optical compartment
- Some options require a specific voltage to be selected
- Remedi has a variety of switching options including single and four-pole pull switches, low voltage controller options (to interface with patient pillow switch by others) or less switches for wall control (by others)
- The night light option can be controlled with a wall switch (by others) or with 3-way, low-profile stainless steel switches on the luminaire

ELECTRICAL (CONTINUED)

- The 3-way switches provide On/Off control and dimming of the night light
- The optional Bed Safety Switch (BSS) reduces the potential for luminaire damage from movement of motorized patient beds

CERTIFICATIONS

- Built and tested to UL1598 standard and bears the CSAus label for Damp Locations

WARRANTY

- 5 year warranty

KEY DATA	
Lumen Range	35–13,227
Wattage Range	1.9–150
Efficacy Range (LPW)	18–88
Reported Life (Hours)	L80/60,000
Input Current Range (Amps)	0.01–1.25

REMEDY™

LED MULTI-FUNCTION BED LIGHT

ORDERING GUIDE

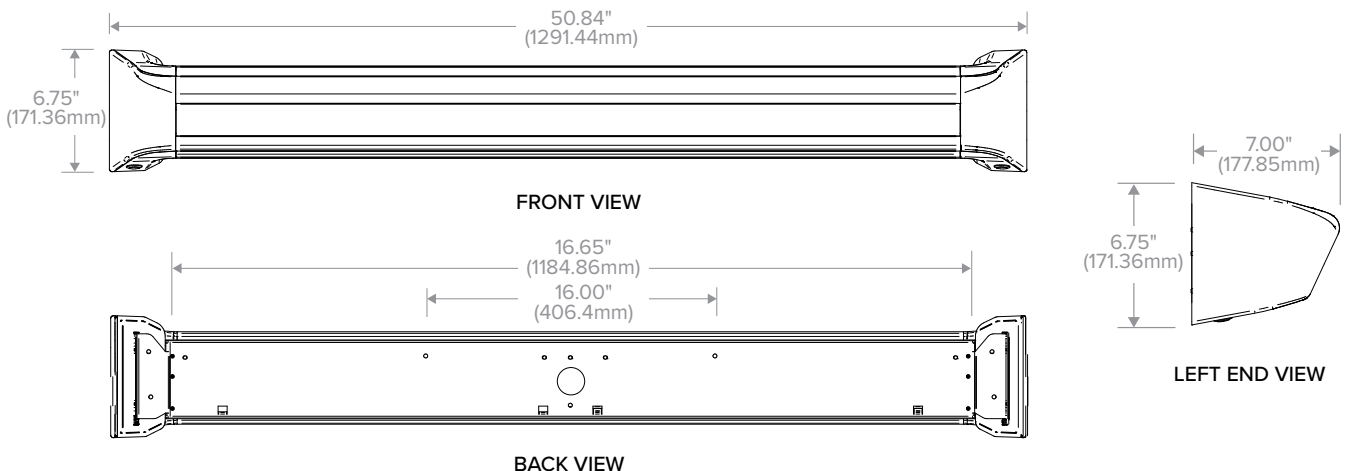
Example: RBL-4-9-35K-WH-120-NAS-LVC2

CATALOG # _____

RBL	4					
Model	Size	CRI	Color Temp	Finish	Voltage	Options
RBL Remedi Bed Light	4 4' (nom.)	8 > 80 CRI 9 > 90 CRI	30K 3000K 35K 3500K 40K 4000K 50K 5000K	WH White AL Aluminum TP Taupe CC Custom Color ¹	U Universal (120-277) 120 120 277 277	NW Night light white (3000K), (Switch provided by others) NA Night light amber (590nm), (Switch provided by others) NWS Night light white (3000K) with 3-way momentary switches located at both ends of the luminaire ^{2,3} NAS Night light amber (590nm) with 3-way momentary switches located at both ends of the luminaire ^{2,3} P4L 4-Pole Pull Switch (mounted to the left as facing the luminaire) ^{4,5} P4R 4-Pole Pull Switch (mounted to the right as facing the luminaire) ^{4,5} P1L 1-Pole Pull Switch for control of the lower compartment (mounted to the left side as facing the luminaire) ^{4,5} P1R 1-Pole Pull Switch for control of the lower compartment (mounted to the right side as facing the luminaire) ^{4,5} LVC1 Low Voltage Controller for individual control of the reading function. ^{6,7} LVC2 Low Voltage Controller for individual or sequential control of two (2) independent functions. Use LVC Selection Chart included in this document to complete ordering code. (Ex. LVC21, LVC22) ^{6,7} LVC3 Low Voltage Controller for individual control of three (3) functions or sequential control of two (2) functions and individual control of one (1) function. Use LVC Selection Chart included in this document to complete ordering code. (Ex. LVC31, LVC32) ^{7,8} LVC4 Low voltage controller for up to three (3) functions with one (1) or two (2) functions having 0-10v dimming and the remaining function(s) being controlled independently. Use LVC Selection Chart included in this document to complete ordering code. (Ex. LVC4DST1, LVC4DSM4) ^{7,8} BSS Bed Safety Switch ^{4,9} GMF Slow blow fuse

- Notes:
- Customer to provide RAL number or color chip to match. Additional set-up charges will be applied to the order
 - Not available if LVC22 or LVC23 option selected
 - Switch provides On/Off with momentary push and increase/decrease of light level with sustained push
 - 120V models only
 - Supplied with 5' plastic, antimicrobial white pull cord
 - Not available with Universal voltage (U). Select 120V or 277V
 - Not available with Pull Switch options (P4L, P4R, P1L, P1R)
 - Confirm that the facility's nurse call system supports (3) dry-contact connections for lighting when the intent is to control (3) different lighting functions
 - The Bed Safety Switch (BSS) helps limit damage to luminaire by disconnecting power to motorized patient bed when luminaire is moved

DIMENSIONS



REMEDY™

LED MULTI-FUNCTION BED LIGHT

PHOTOMETRY

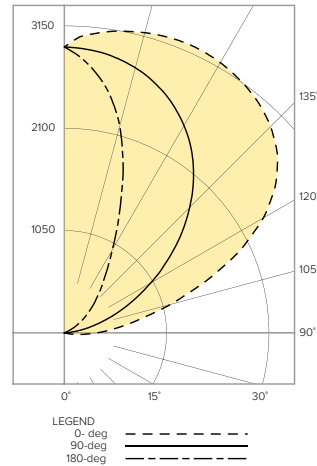
LUMINAIRE DATA

Test No.	17.02115
Description	196 - Nichia 3500K 90 CRI LEDs
Delivered Lumens	7629
Watts	82.5
Efficacy	92.5 Lm/W
Mounting	Wall

ZONAL LUMEN SUMMARY

Zone	Lumens	% Luminaire
0-30	0	0.0
0-40	0	0.0
0-60	0	0.0
0-90	59	0.7
90-120	1609	21.1
90-130	2796	36.6
90-150	5404	70.8
90-180	7570	99.2
0-180	7629	100.0

POLAR GRAPH



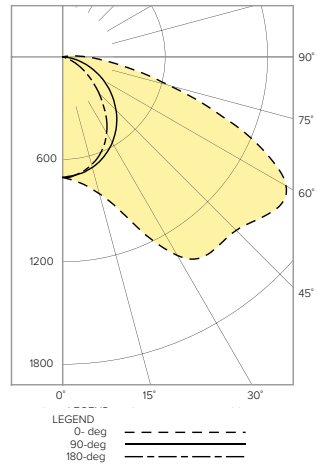
LUMINAIRE DATA

Test No.	17.02116
Description	196 - Nichia 3500K 90 CRI LEDs
Delivered Lumens	3107
Watts	34.5
Efficacy	90.1 Lm/W
Mounting	Wall

ZONAL LUMEN SUMMARY

Zone	Lumens	% Luminaire
0-30	601	19.4
0-40	1064	34.4
0-60	2161	69.6
0-90	3076	99.0
90-120	27	0.9
90-130	28	0.9
90-150	29	0.9
90-180	30	1.0
0-180	3107	100.0

POLAR GRAPH



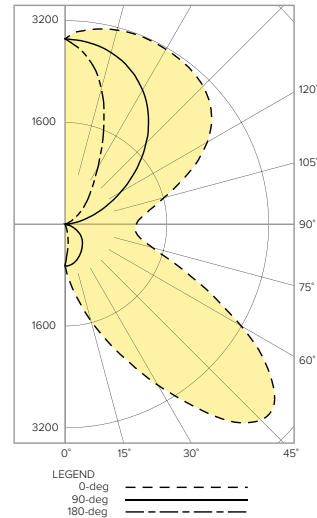
LUMINAIRE DATA

Test No.	17.02235
Description	392 - Nichia 3500K 90 CRI LEDs
Delivered Lumens	13227
Watts	150.3
Efficacy	88.0 Lm/W
Mounting	Wall

ZONAL LUMEN SUMMARY

Zone	Lumens	% Luminaire
0-30	671	5.1
0-40	1342	10.1
0-60	3446	26.0
0-90	5215	39.4
90-120	2026	15.3
90-130	3244	24.5
90-150	5856	44.3
90-180	8012	60.6
0-180	13227	100.0

POLAR GRAPH



REMEDY™

LED MULTI-FUNCTION BED LIGHT

ADDITIONAL INFORMATION

LVC SELECTION CHART

The Low Voltage Controller (LVC) option allows control of the luminaire functions from a patient pillow switch, bed side rail or wall switch with normally-open momentary dry contacts. Depending on the number of modes to be controlled, various control options are available.

Independent	I	Dedicated On/Off control for a single load.
Sequential	S	On/Off Control of two loads by sequentially cycling through them
Step dim	ST	Stepped light levels in 25% increments with each toggle of the low voltage switch.
Smooth dim	SM	Smooth increase in light level from a starting point of 25% by continuing to press the switch. When released, pressed and held again, the light level decreases until the switch is released.

LVC ORDERING CODE	FUNCTION		
	AMBIENT (top compartment)	READING (bottom compartment)	NIGHT LIGHT (top compartment)
LVC1		I	
LVC21	I or S*	I or S*	
LVC22	I or S*		I or S*
LVC23		I or S*	I or S*
LVC31	I	I	I
LVC32	S	S	I
LVCDST1	ST	I	I
LVCDST2	I	ST	I
LVCDST3	ST	ST	I
LVCDST4	ST	I	
LVCDST5	I	ST	
LVCDST6	ST	ST	
LVCDSM1	SM	I	I
LVCDSM2	I	SM	I
LVCDSM3	SM	SM	I
LVCDSM4	SM	I	
LVCDSM5	I	SM	
LVCDSM6	SM	SM	

*The selection of Individual (I) or sequential (S) control is determined by in-field connections at the control(s).