

FM Series/Flush Mount

Round Ceiling Fixtures

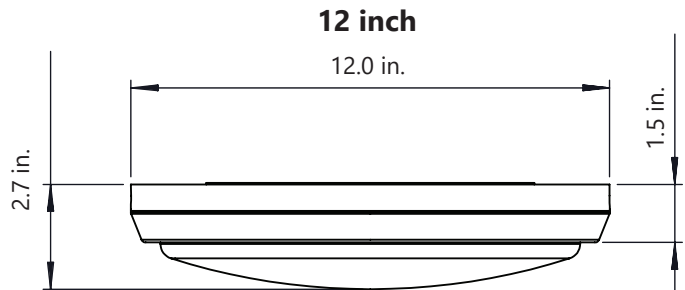
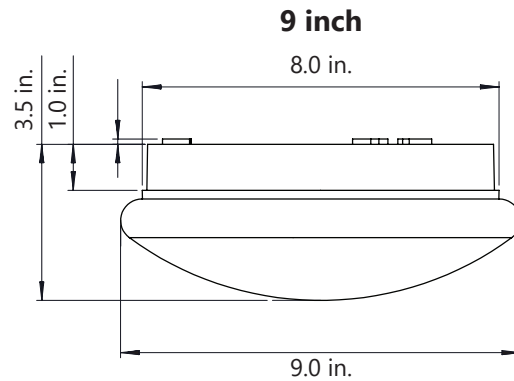
The Lumination® FM Series LED Luminaires eliminate changing light bulbs for good while consuming just 15W of energy, resulting in significant cost savings over the life of the fixture. Ideal for hospitality, commercial office, and residential use, the FM series can be used for both retrofit and new construction applications. The integrated LED/fixture design distributes light evenly without pixilation, creating a soft glow around the entire fixture. Installation is quick with included mounting brackets and hardware.



PERFORMANCE SUMMARY

Distribution Patterns: Wide
Delivered Lumen Output: 1000 (9") / 975 (12")
System Input Power: 15W
System Efficacy (LPW): 65
Input Voltage: 120V
Standard Dimming Controls: Non-dimming
CCT: 2700K
CRI: 80+
Lifetime Rating: L70 @ 25,000 Hours
Input Frequency (Hz): 60Hz
Power Factor: >0.9
Mounting Options: Included mounting brackets and hardware
Weight: 0.9 lb. (9") / 2.3 lb. (12")
IC Rating: N/A
Limited Warranty: 5 years based on rated life at 3 hrs. use per day
Files Available: LM79, LM80, IES

PRODUCT DIMENSIONS



CERTIFIED BY



- UL and cUL Listed.
- Suitable for damp locations.

CUSTOMER NAME

Project Name _____

Date _____ Type _____

Catalog Number _____

ORDERING INFORMATION

PRODUCT CODE	DESCRIPTION	DIAMETER	CCT	CRI	LUMENS	WATTS	LPW	DIMMABLE	LOCATION RATING
33741	LED15FMM9-W120	9"	2700K	80	1000	15	65	No	Damp
20433	LED15FM12-W120	12"	2700K	80	975	15	65	No	Damp

PRODUCT SPECIFICATIONS

Construction:

- Plastic housing with polycarbonate lens
- Worry free use and disposal

Installation:

- Included mounting bracket and hardware screws directly to 4" junction box
- Fixture wires directly to line voltage. No lamps to install or replace.
- Fixture attaches to mounting bracket with 2 included screws

Optical System:

- Edge-to-edge, uniform lit appearance with no hot spots or pixelation.
- Highly transmissive lens material for optimal combination of light transmission while diffusing LEDs from direct view

Electrical System:

- Integrated, high-efficiency driver with power factor > 0.9

For more information and access to all of our resources, including our design tool visit: LED.com

CUSTOMER NAME

Project Name _____

Date _____ Type _____

Catalog Number _____

PHOTOMETRIC DATA:

FM Series — 9 inch

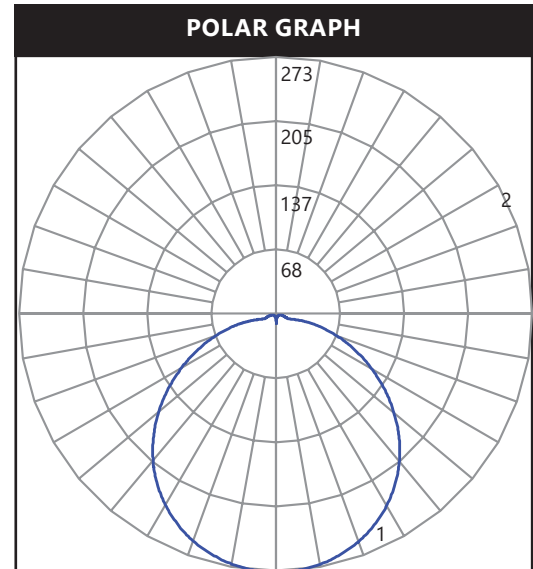
COEFFICIENTS OF UTILIZATION																		
RC	80%				70%				50%			30%			10%			0%
RW	70%	50%	30%	10%	70%	50%	30%	10%	50%	30%	10%	50%	30%	10%	50%	30%	10%	0%
0	117	117	117	117	113	113	113	113	105	105	105	99	99	99	93	93	93	90
1	104	99	94	89	101	96	91	87	89	86	82	84	81	78	78	76	74	71
2	94	85	78	72	91	82	76	70	77	72	67	72	68	64	68	64	61	58
3	86	74	66	59	82	72	64	58	67	61	55	63	58	53	59	55	51	48
4	78	66	56	49	75	64	55	48	60	52	47	56	50	45	53	48	43	41
5	72	58	49	42	69	57	48	41	53	46	40	50	44	39	47	42	37	35
6	66	52	43	37	63	51	42	36	48	40	35	45	39	34	43	37	33	30
7	61	47	38	32	59	46	38	32	44	36	31	41	35	30	39	33	29	27
8	57	43	34	29	55	42	34	28	40	33	27	38	31	27	36	30	26	24
9	53	40	31	26	51	39	31	25	37	29	25	35	28	24	33	27	23	21
10	50	36	28	23	48	35	28	23	34	27	22	32	26	22	31	25	21	19

NOTE: Floor Cavity Reflectance : 20%

CANDLEPOWER SUMMARY	
ANGLE	CANDELA
0	273
5	272
15	264
25	248
35	239
45	192
55	154
65	113
75	79
85	50
90	39

ZONAL LUMEN SUMMARY		
ZONE	LUMENS	% OF FIXTURE
0 - 30°	215	21.5
0 - 40°	355	35.5
0 - 60°	642	64.2
0 - 90°	896	89.7

Spacing Criteria: 1.3



CUSTOMER NAME

Project Name _____

Date _____ Type _____

Catalog Number _____

PHOTOMETRIC DATA:

FM Series — 12 inch

COEFFICIENTS OF UTILIZATION																		
RC	80%				70%				50%			30%			10%			0%
RW	70%	50%	30%	10%	70%	50%	30%	10%	50%	30%	10%	50%	30%	10%	50%	30%	10%	0%
0	118	118	118	118	115	115	115	115	110	110	110	105	105	105	100	100	100	98
1	107	102	97	93	104	99	95	91	94	91	87	90	87	84	86	84	81	79
2	97	88	81	74	94	86	79	73	82	76	71	78	73	69	75	71	67	65
3	88	77	68	61	85	75	67	61	72	65	59	68	63	58	66	61	56	64
4	80	68	59	52	78	66	58	51	63	56	50	61	54	49	58	53	48	46
5	74	60	51	44	71	59	50	44	57	49	43	54	48	42	52	46	42	39
6	68	54	45	38	66	53	44	38	51	43	38	49	42	37	47	41	37	34
7	63	49	40	34	61	48	40	34	46	39	33	45	38	33	43	37	32	30
8	59	45	36	30	57	44	36	30	42	35	30	41	34	29	40	33	29	27
9	55	41	33	27	53	40	32	27	39	32	27	38	31	26	37	30	26	24
10	51	38	30	24	50	37	30	24	36	29	24	35	28	24	34	28	24	22

NOTE: Floor Cavity Reflectance : 20%

CANDLEPOWER SUMMARY	
ZONE	LUMENS
0	305
5	304
15	294
25	275
35	247
45	211
55	169
65	122
75	75
85	37
90	23

ZONAL LUMEN SUMMARY		
ZONE	LUMENS	% OF FIXTURE
0 - 30°	238	24.5
0 - 40°	393	40.4
0 - 60°	707	72.6
0 - 90°	950	97.5

Spacing Criteria: 1.28

