

## TELA Mini

### Mini Track Light

**Tela Mini** provides first class options for architects and designers who want superior flexibility in an LED accent lighting system. Tela Mini compliments Tela, providing the same high performance and depth of product offering in a compact package. Available in a wide range of lumen packages, CCT and beam distributions.



### CONSTRUCTION

<b>Housing:</b>	Die-cast and precision machined head, 2-piece precision, rigid plastic driver compartment, nylon lock washer firmly sets aiming angle
<b>Lens:</b>	Silicone high-efficiency TIR lens
<b>Paint:</b>	Textured powder coat finish
<b>Weight:</b>	Vertical Driver Fixture @ 1.08 lbs, Horizontal Driver Fixture @ 1.25 lbs
<b>CRI:</b>	Precision designed reflectors and diffusers for optimal efficiency, custom designed spot optical system optimizes CBCP

### OPTICAL SYSTEM

<b>Lumens:</b>	950–1375
<b>Distribution</b>	Spot 16°, Narrow Flood 20°, Flood 25°, Wide Flood 35°
<b>Efficacy:</b>	Up to 93 LPW
<b>Wattage:</b>	9.5–18.5
<b>CCT:</b>	2700K/3000K/3500K/4000K
<b>CRI:</b>	80 and 90 CRI options

### CONTROLS

<b>Dimming:</b>	Triac & ELV (Forward & Reverse Phase) dimming standard
-----------------	--------------------------------------------------------

### ELECTRICAL

<b>Input Voltage:</b>	120V
<b>Input Frequency:</b>	50/60Hz
<b>Standard Dimming Control:</b>	Triac & ELV (Forward & Reverse Phase) dimming standard
<b>Power Factor (PF):</b>	>0.9*
<b>Total Harmonic Distortion (THD):</b>	<20%*

\*PF and THD may vary with options

### LUMEN MAINTENANCE

<b>LXX(10K) @ HOURS</b>	50,000 HR
	L70

### MOUNTING

- Track adapters easily twist into track systems for quick installation.
- Compatible with several brands of track systems.

### DESIGN LIFE & WARRANTY

- **Current's Limited 5-year Warranty:**  
Please see website.

**CUSTOMER NAME**

Project Name \_\_\_\_\_

Date \_\_\_\_\_ Type \_\_\_\_\_

Catalog Number \_\_\_\_\_

**LTM**
**A**
**1**
**P**
**Q**

FAMILY	FIXTURE TYPE	GENERATION	VOLTAGE	NOMINAL LUMENS	DISTRIBUTION	CRI	CCT	DIMMING	CONTROLS	MOUNTING	FINISH	DIFFUSER	OPTIONS
LTM = Lumination Track Mini	HD = Horizontal Driver Box VD = Vertical Driver Box	A = 1 <sup>st</sup> Generation	1 = 120V	09 = 950 Lumens 11 = 1150 Lumens 13 = 1375 Lumens	SP = Spot Flood FL = Flood WF = Wide Flood NF = Narrow Flood	8 = 80 CRI 9 = 90 CRI	27 = 2700 30 = 3000 35 = 3500 40 = 4000	P = Phase Dimming	Q = none	J1 = Juno 1 & 2 circuit (compatible with Contech) G1 = GES Global Ecosystem 1&2 circuits, compatible with Halo track L2 = Lightolier Lytespan 1&2 circuits	WHITE = White BLCK = Black SLVR = Silver	DXX = None D03 = 3.5 Diffuser D05 = 5 Diffuser D07 = 7.5 Diffuser D10 = 10 Diffuser D20 = 20 Diffuser DL6 = 60x10 Diffuser DL3 = 30x3 Diffuser	(blank) = None HX = Hexcel SN = Snoot Hexcel

**STANDARD LED CONVERSION TABLE**

Lumen and CBCP output varies based on Wattage, CCT and CRI. Table below is based on 18.5W, 3000K, 80 CRI fixture. To estimate lumen and CBCP output of other combinations, multiply photometric data by factors below.

LUMEN WATTAGE	827	830	835	840	927	930	935	940
10.2W	0.65	0.69	0.71	0.72	0.55	0.57	0.59	0.60
13.4W	0.79	0.84	0.86	0.88	0.67	0.70	0.71	0.73
18.5W	0.95	1.00	1.03	1.05	0.80	0.83	0.85	0.87

**EFFICACY CHART**

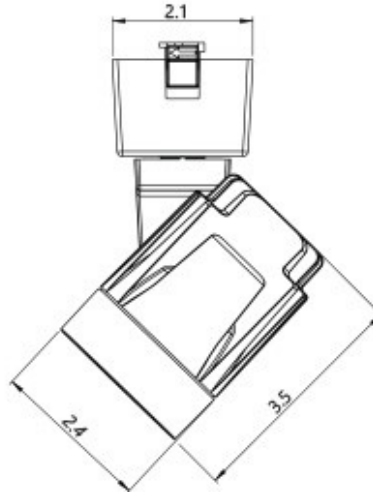
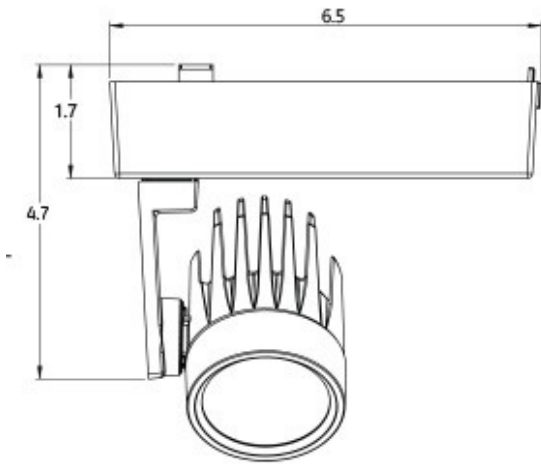
LUMENS (LM)	WATTAGE (W)	LPW
950	10.20	93
1150	13.40	86
1375	18.50	74

**ACCESSORIES: LUMINATION® LTM SERIES**

MATERIAL	DESCRIPTION CODE	PRODUCT DESCRIPTIONS
93026378	LTMDFF035	LTM 3.5° Diffuser
93026529	LTMDFF05	LTM 5° Diffuser
93026530	LTMDFF075	LTM 7.5° Diffuser
93026901	LTMDFF10	LTM 10° Diffuser
93026902	LTMDFF20	LTM 20° Diffuser
93026903	LTMDFF30	LTM 30° Diffuser
93026904	LTMDFF6010	LTM 60x10° Linear Spreader
93026905	LTMDFF303	LTM 30x3° Linear Spreader
93026697	LTMSNWHITE	LTM White Snoot
93026906	LTMSNBLCK	LTM Black Snoot
95019410	LTMSNSLVR	LTM Silver Snoot
93026696	LTMHX	LTM Hexcel Louver

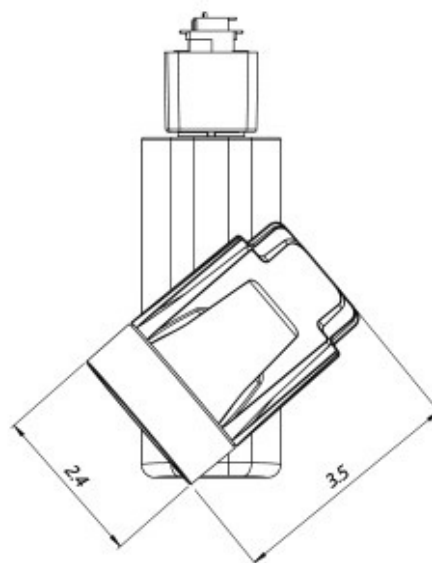
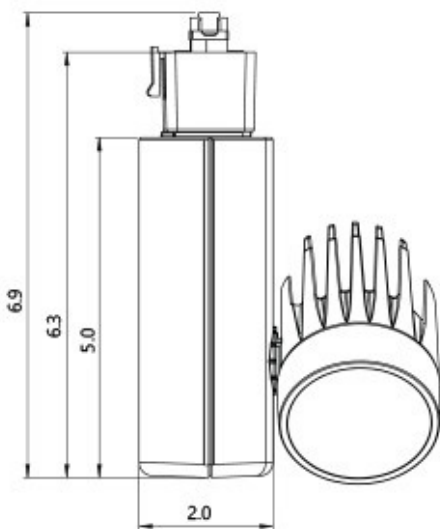
### HORIZONTAL DRIVER MOUNT

---



### VERTICAL DRIVER MOUNT

---



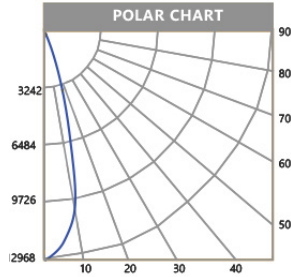
**CUSTOMER NAME**

Project Name \_\_\_\_\_

Date \_\_\_\_\_ Type \_\_\_\_\_

Catalog Number \_\_\_\_\_

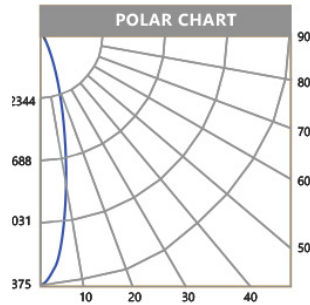
**Photometric Data**  
**LTM SERIES - TRACK MINI LED TRACK LIGHT**
**18.5 WATT**  
**1375 LUMEN**

 Spot Distribution  
 16° Beam


ANGLE	CANDELA
0	12753
5	10135
15	1103
25	106
35	65
45	27
55	16

HEIGHT	FC	DIA (FT)
6	354	1.7
8	199	2.3
10	128	2.9
12	89	3.5
14	65	4.1
16	50	4.6

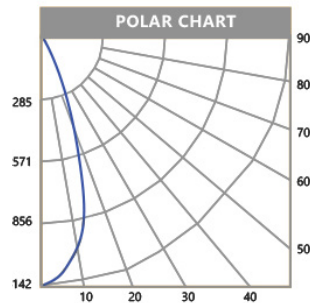
**18.5 WATT**  
**1375 LUMEN**

 Narrow Flood Distribution  
 20° Beam


ANGLE	CANDELA
0	9289.5
5	7338.4
15	1539.4
25	195.7
35	80
45	40.4
55	22.2

HEIGHT	FC	DIA (FT)
6	258	2.0
8	145	2.7
10	93	3.4
12	65	4.0
14	47	4.7
16	36	5.4

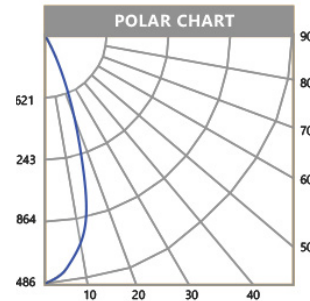
**18.5 Watt**  
**1375 Lumen**

 Flood Distribution  
 25° Beam


ANGLE	CANDELA
0	5097
5	4831
15	2386
25	457
35	141
45	62
55	31

HEIGHT	FC	DIA (FT)
6	142	1.7
8	80	2.3
10	51	2.9
12	35	3.5
14	26	4.1
16	20	4.6

**18.5 Watt**  
**1375 Lumen**

 Wide Flood Distribution  
 35° Beam


ANGLE	CANDELA
0	2456
5	2397
15	1719
25	618
35	170
45	58
55	28

HEIGHT	FC	DIA (FT)
6	68	3.9
8	38	5.3
10	25	6.6
12	17	7.9
14	13	9.2
16	10	10.5

**For Product or Technical Questions:**

 E: [lightingproinfo@currentlighting.com](mailto:lightingproinfo@currentlighting.com)  
 T: +1 888 694 3533, OPTION 2