

Lumination® LED Track Light

LTS Series - Track Light



CUSTOMER NAME _____

Project Name _____

Date _____ Type _____

Catalog Number _____

Lumination® LTS Series LED Track Lights are designed to deliver superior aesthetics, efficiency, and performance for retail accent lighting applications. These fixtures have a long rated life and deliver 90 lumens per watt (LPW) typical, allowing for lower maintenance and operating costs. Standard "Visual Comfort" lens minimizes glare while delivering up to 20,000 CBCP for high intensity accent lighting.

CONSTRUCTION

Housing:	Die-cast and precision machined head
Lens:	Visual Comfort lens reduces glare and eliminates pixilation
Paint:	Textured powder coat finish
Weight:	1.4Lbs (0.63kg)
Optical Assembly:	Precision designed reflectors and diffusers for optimal efficiency, custom designed spot optical system optimizes CBCP

PERFORMANCE

Lumens:	1000LM (9.9W), 1250LM (13.3W), 1600LM (18.3W), 800LM (9.9W), 1050LM (13.3W), 1300LM (18.3W)
Distribution:	Spot 13°, Flood 26°, Wide Flood 38°
Wattage:	Up to 18.3W
Efficacy:	Up to 90 LPW
CCT:	2700K/3000K/3500K/4000K
CRI:	80 and 90 CRI options

ELECTRICAL

Input Voltage:	120V
Input Frequency:	50/60 Hz
Standard Dimming Control:	Phase Dimming
Power Factor (PF)*:	>0.9
Total Harmonic Distortion (THD)*:	<20%

CONTROLS

Dimming: Triac & ELV (Forward & Reverse) Phase dimming standard

LUMEN AMBIENT TEMPERATURE

TYPE	TEMPERATURE RATE
OPERATING TEMPERATURE	-20C to +35C (-4F to +95F)
STORAGE TEMPERATURE	-40C to +70C (-40F to +158F)

LUMEN MAINTENANCE

LXX(10K) @ Hours
50,000 HR
L85

MOUNTING

- Track adapters easily twist into track systems for quick installation.
- Compatible with several brands of track systems.
- Several track system mounting and suspension options

DESIGN LIFE & WARRANTY

- Current's Limited 5-year Warranty: Please see website.

Lumination® LED Track Light

LTS Series - Track Light

Catalog Logic and Accessories

CUSTOMER NAME

Project Name _____

Date _____ Type _____

Catalog Number _____

Ordering Information

FAMILY	PRODUCT FAMILY	FIXTURE TYPE	GENERATION	VOLTAGE	LUMENS	DISTRIBUTION	CRI	CCT	DIMMING	CONTROLS	MOUNTING	FINISH	DIFFUSER	OPTIONS
L = Lumination®	TS = TrackLight Series	VD = Vertical Box	B = 2 nd Generation	1 = 120V	10 = 1000lm 12 = 1250lm 16 = 1600lm 08 = 800lm 11 = 1050lm 13 = 1300lm 10 = 1000lm 12 = 1250lm	FL = Flood WF = Wide Flood SP = Spot FL = Flood WF = Wide Flood	8 = 80 CRI 9 = 90 CRI T = TriGain (90CRI)	27 = 2700K (80 CRI only) 30 = 3000K 35 = 3500K 40 = 4000K 35 = 3500K 40 = 4000K	P = Phase Dimming	Q = none	G1 = GES Global Ecosystem 1&2 circuits, compatible with Halo track J1 = Juno 1 & 2 circuit (compatible with Contech) L2 = Lightolier Lytespan 1&2 circuits TK = TEK 100	WHITE = White BLCK = Black SLVR = Silver	DX = None DL6 = 60X10 Diffuser/linear spreader DL3 = 30x3 Diffuser/linear spreader	(blank) = none HX = Hexcel SN = Snoot

STANDARD LED CONVERSION TABLE

Lumen output varies based on CCT and CRI. To estimate lumen output of the various CCT/CRI combinations, multiply 3000K, 80 CRI results by the following factors:

CCT	FL/WF		SP	
	80 CRI or TriGain	90 CRI	80 CRI	90 CRI
2700K	0.954	N/A	0.941	0.797
3000K	1	0.806	1	0.825
3500K	1.033	0.83	1.027	0.855
4000K	1.044	0.858	1.042	0.868

Note: TriGain only available in 3500k and 4000k CCT

Lumination® LED Track Light

LTS Series - Track Light

CUSTOMER NAME

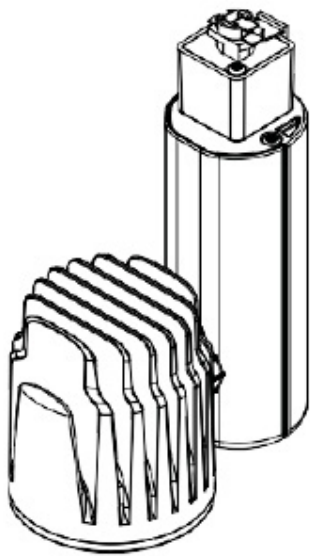
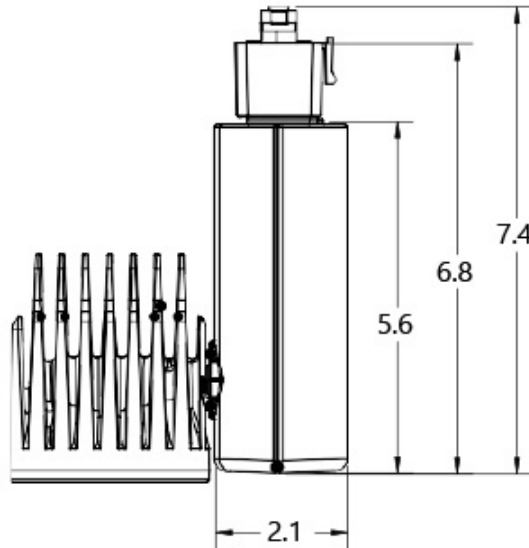
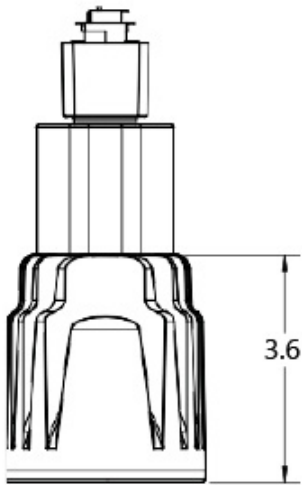
Project Name _____

Date _____ Type _____

Catalog Number _____

Dimensions

LTS SERIES DIMENSIONS



Lumination® LED Track Light

LTS Series - Track Light

Photometric Data

CUSTOMER NAME

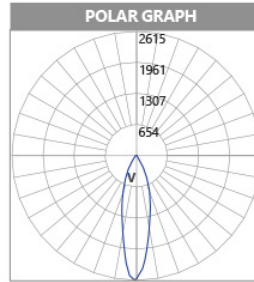
Project Name _____

Date _____ Type _____

Catalog Number _____

LTS SERIES - LED TRACK LIGHT

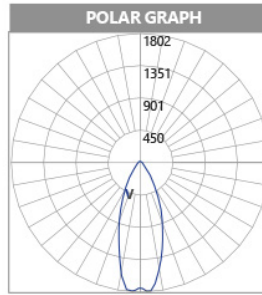
9.9 Watt - 1000 Lumen Flood Distribution - 26° Beam



ANGLE	CANDELA
0	2615
5	2298
15	1137
25	537
35	229
45	61
55	22

HEIGHT	FC	DIA (FT)
6'	27	2.8
8'	15	3.7
10'	10	4.6
12'	7	5.5
14'	5	6.5
16'	4	7.4

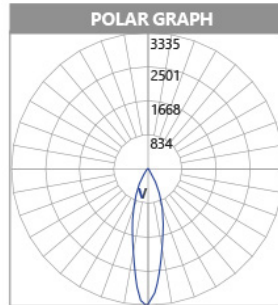
9.9 Watt - 1000 Lumen Wide Flood Distribution - 38° Beam



ANGLE	CANDELA
0	1754
5	1773
15	1153
25	565
35	250
45	64
55	16

HEIGHT	FC	DIA (FT)
6'	50	4.1
8'	28	4.1
10'	18	6.9
12'	13	8.3
14'	9	9.6
16'	7	11.0

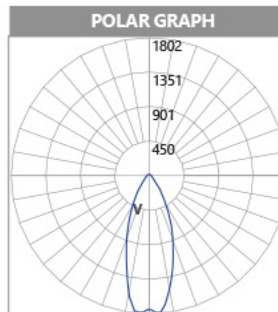
13.3 Watt - 1250 Lumen Flood Distribution - 26° Beam



ANGLE	CANDELA
0	3335
5	2968
15	1469
25	694
35	296
45	79
55	28

HEIGHT	FC	DIA (FT)
6'	93	2.8
8'	52	3.7
10'	33	4.6
12'	23	5.5
14'	17	6.5
16'	13	7.4

13.3 Watt - 1250 Lumen Wide Flood Distribution - 38° Beam



ANGLE	CANDELA
0	2237
5	2261
15	1471
25	721
35	319
45	82
55	20

HEIGHT	FC	DIA (FT)
6'	64	4.1
8'	36	5.5
10'	23	6.9
12'	16	8.3
14'	12	9.6
16'	9	11.0

Lumination® LED Track Light

LTS Series - Track Light

Photometric Data

CUSTOMER NAME

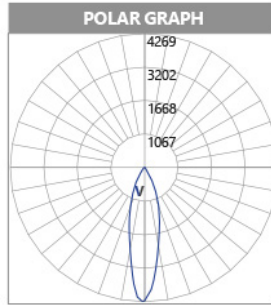
Project Name _____

Date _____ Type _____

Catalog Number _____

LTS SERIES - LED TRACK LIGHT

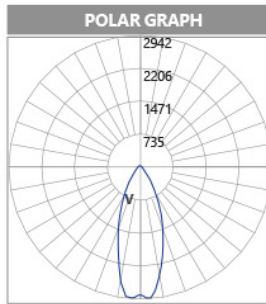
18.3 Watt - 1600 Lumen
Flood Distribution - 26° Beam



ANGLE	CANDELA
0	4269
5	3799
15	1880
25	888
35	379
45	101
55	36

HEIGHT	FC	DIA (FT)
6'	119	2.8
8'	67	3.7
10'	43	4.6
12'	30	5.5
14'	22	6.5
16'	17	7.4

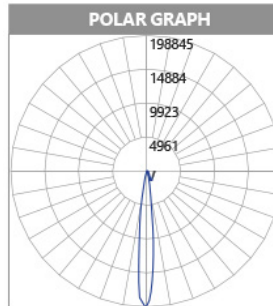
18.3 Watt - 1600 Lumen
Wide Flood Distribution - 38° Beam



ANGLE	CANDELA
0	2864
5	2895
15	1882
25	922
35	408
45	104
55	26

HEIGHT	FC	DIA (FT)
6'	82	4.1
8'	46	5.5
10'	29	6.9
12'	20	8.3
14'	15	9.6
16'	11	9.6

18.3 Watt - 1300 Lumen
Spot Distribution - 13° Beam



ANGLE	CANDELA
0	19845
5	15295
15	15295
25	108
35	70
45	40
55	30

HEIGHT	FC	DIA (FT)
6'	551	1.4
8'	310	1.8
10'	198	2.3
12'	138	2.7
14'	101	3.2
16'	78	3.6

For Additional Information or Product Technical Questions:
lightingproinfo@currentlighting.com