

## LRX Series

### Transformer Kit

The Lumination® LRX Series transformer kits provides connection to LRX fixtures. This kit is essential in Canadian commercial and industrial applications.

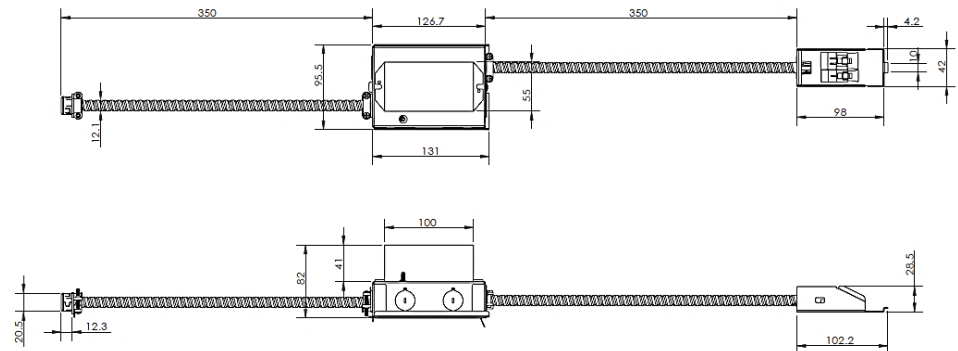
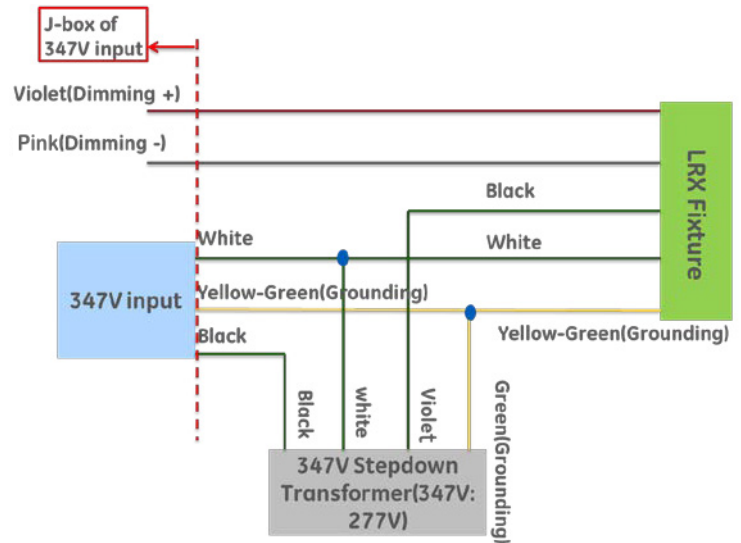
## PERFORMANCE SUMMARY

**Input Voltage:** 347V  
**Output Voltage:** 277V  
**Input Frequency:** 60Hz  
**Output Frequency:** 60Hz  
**Maximum Current:** 0.27A (277V) or 0.23A (347V)  
**Maximum Power:** 70VA  
**Storage temperature:** -40C ~ +70C  
**Operating temperature:** -10C ~ +35C  
**Compatible Fixtures:** LRX  
**Weight:** 1.80kg  
**Limited Warranty:** 5 Years  
**IC Rating:** Non-IC

## ORDERING INFORMATION

MATERIAL	DESCRIPTION CODE
93036250	LRX347V277

## PRODUCT DIMENSIONS



## LISTINGS



• UL and cUL Listed