



CUSTOMER NAME _____

Project Name _____

Date _____ Type _____

Catalog Number _____

Montage Series

Recessed Multiples | 1x1

The **Montage Series** of luminaires is the ideal recessed counterpart to Tela Mini, sharing the same performance, features and family aesthetic. Available in flange and flange-free configurations, the Montage Series is designed for new construction and retrofit in both T-Grid and hard ceilings.

CONSTRUCTION

| | |
|--------------------------|--|
| Housing: | Die-cast and precision machined head |
| Lens: | Custom designed spot optical system optimizes CBCP |
| Optical Assembly: | Silicone optic with high thermal resistance prevents yellowing |
| Paint: | Textured powder coat finish |
| Weight: | 4.6 lbs. (2.1kg.) |

OPTICAL SYSTEM

| | |
|---------------------|---|
| Lumens: | Up to 1320 lumens |
| Distribution | Spot (15°), Narrow Flood (18°), Flood (25°) |
| Efficacy: | Up to 74 LPW |
| Wattage: | Up to 20 watts |
| CCT: | 2700K, 3000K, 3500K, 4000K |
| CRI: | 90 CRI |

ELECTRICAL

| | |
|---|----------------|
| Input Voltage: | 120–277V |
| Input Frequency: | 50/60Hz |
| Standard Dimming Control: | 0–10V, Dimming |
| Power Factor (PF): | >0.9* |
| Total Harmonic Distortion (THD): | <20%* |

*PF and THD may vary with options

CONTROLS

Standard Dimming: 0–10VDC, Dimming

AMBIENT TEMPERATURE

| TYPE | TEMPERATURE RATE |
|-------------------------------|----------------------------|
| Operating Temperature: | -20C to +30C (-4F to +86F) |

LUMEN MAINTENANCE

| |
|-------------------------|
| LXX(10K) @ HOURS |
| 50,000 HR |
| L85 |

MOUNTING

- Standalone rough-in kit for installation in finished and t-grid ceilings.

DESIGN LIFE & WARRANTY

- UL Listed and Energy Star rated.
- **Current's Limited 5-year Warranty:** Please see website.

CUSTOMER NAME

Project Name _____

Date _____ Type _____

Catalog Number _____

Important: Must order LMM Fixture + LMM Rough-in Kit, Both parts required for complete installation.

| FAMILY | FIXTURE TYPE | GENERATION | VOLTAGE | NOMINAL LUMENS | DISTRIBUTION | CRI | CCT | DIMMING | CONTROLS | MOUNTING | FINISH | DIFFUSER | OPTIONS |
|---|---|---------------------------------------|---------------------|--|---|-------------------|--|--------------------------|-----------------|--|---|--|---|
| LMM = Lumination Recessed Mini Multiples | S1 = Semi-Recessed 1 Head R1 = Recessed 1 Head | A = 1 st Generation | 0 = 120–277V | 09 = 950 Lumens 11 = 1150 Lumens 13 = 1375 Lumens | SP = Spot (15°) NF = Narrow Flood (18°) FL = Flood (25°) WF = Wide Flood (35°) | 9 = 90 CRI | 27 = 2700K 30 = 3000K 35 = 3500K 40 = 4000K | V = 0–10V Dimming | Q = None | TR = Trim XT = Trimless | WHITE = White BLCK = Black SLVR = Silver | DXX = None D03 = 3.5° Diffuser D05 = 5° Diffuser D07 = 7.5° Diffuser D10 = 10° Diffuser D20 = 20° Diffuser DL6 = 60° X 10° Diffuser DL3 = 30° X 3° Diffuser | HX = Hexcel SN = Snoot HS = Snoot + Hexcel |

CLAIMS - BASED ON 3000K

| CONFIGURATION | FIXTURE LUMENS | FIX-TURE WATTS | FIX-TURE LPW | LUMEN PER HEAD |
|---------------------------|----------------|----------------|--------------|----------------|
| 1 Head, Standard White 09 | 950 | 13 | 74 | 950 |
| 1 Head, Standard White 11 | 1150 | 16 | 73 | 1150 |
| 1 Head, Standard White 13 | 1320 | 20 | 67 | 1320 |

LMM ROUGH-IN KIT

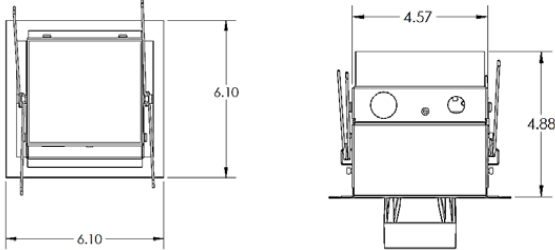
| MATERIAL | MATERIAL DESCRIPTION | PRODUCT DESCRIPTION |
|----------|----------------------|--------------------------------|
| 93039496 | LMMRK1A1 | LMM Rough-In Kit, 1 Head, 120V |
| 93039501 | LMMRK1A4 | LMM Rough-In Kit, 1 Head, 277V |

FIELD-INSTALLABLE OPTICAL ACCESSORIES

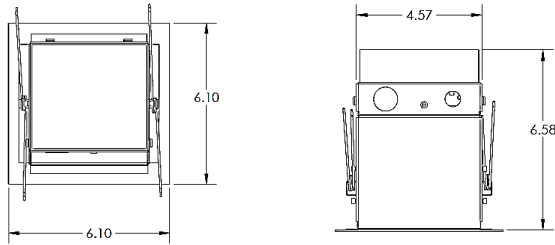
| MATERIAL | MATERIAL DESCRIPTION | PRODUCT DESCRIPTION |
|----------|----------------------|-----------------------------|
| 93026378 | LT MDF035 | LTM 3.5° Diffuser |
| 93026529 | LT MDF05 | LTM 5° Diffuser |
| 93026530 | LT MDF075 | LTM 7.5° Diffuser |
| 93026901 | LT MDF10 | LTM 10° Diffuser |
| 93026902 | LT MDF20 | LTM 20° Diffuser |
| 93026903 | LT MDF30 | LTM 30° Diffuser |
| 93026904 | LT MDF6010 | LTM 60°x10° Linear Spreader |
| 93026905 | LT MDF303 | LTM 30°x3° Linear Spreader |
| 93026697 | LTMSNWHITE | LTM White Snoot |
| 93026906 | LTMSNBLCK | LTM Black Snoot |
| 95019410 | LTMSNSLVR | LTM Silver Snoot |
| 93026696 | LTMHX | LTM Hexcel Louver |

TRIM

SEMI-RECESSED

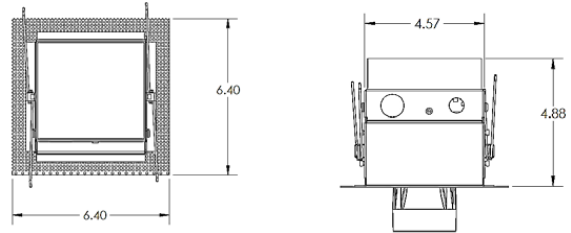


FULLY-RECESSED

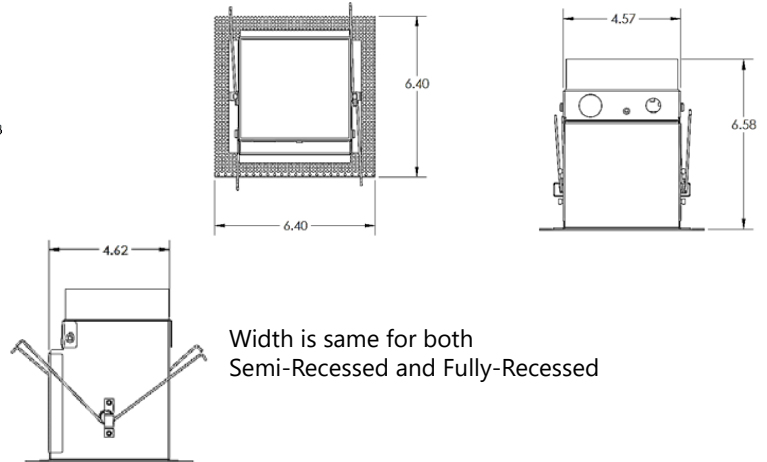


TRIMLESS

SEMI-RECESSED



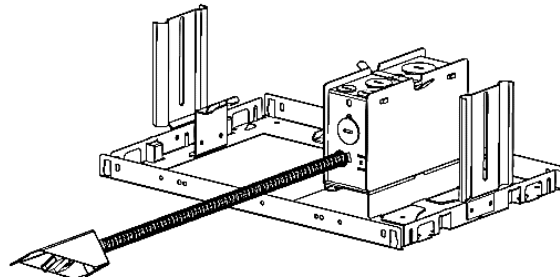
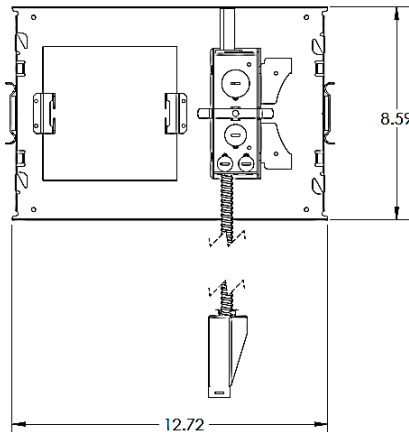
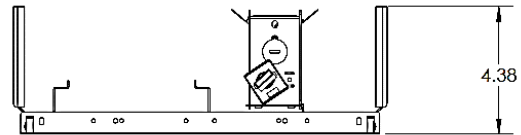
FULLY-RECESSED



Width is same for both
Semi-Recessed and Fully-Recessed

ROUGH-IN KIT INFORMATION: LMM SERIES RECESSED MULTIPLES

| MATERIAL | MATERIAL DESCRIPTION | PRODUCT DESCRIPTION |
|----------|----------------------|--------------------------------|
| 93039496 | LMMRK1A1 | LMM Rough-In Kit, 1 Head, 120V |
| 93039501 | LMMRK1A4 | LMM Rough-In Kit, 1 Head, 277V |



CUSTOMER NAME

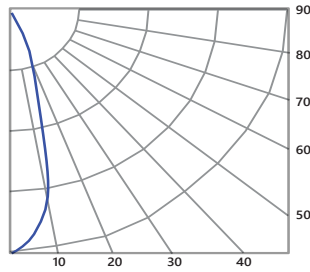
Project Name _____

Date _____ Type _____

Catalog Number _____

20 Watt
1320 Lumens per head

Spot Flood Distribution
15° Beam

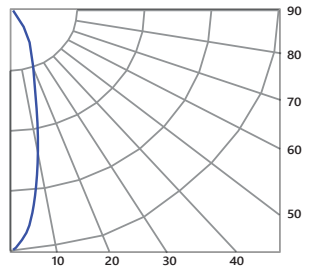


| CANDLEPOWER SUMMARY | |
|---------------------|---------|
| Angle | Candela |
| 0 | 12243 |
| 5 | 9730 |
| 15 | 1059 |
| 25 | 102 |
| 35 | 62 |
| 45 | 26 |
| 55 | 15 |

| CONE OF LIGHT | | |
|---------------|-----|-----------|
| Height | fc | Dia. (ft) |
| 6 | 340 | 1.7 |
| 8 | 191 | 2.3 |
| 10 | 123 | 2.9 |
| 12 | 85 | 3.5 |
| 14 | 62 | 4.1 |
| 16 | 48 | 4.6 |

20 Watt
1320 Lumens per head

Narrow Flood Distribution
18° Beam

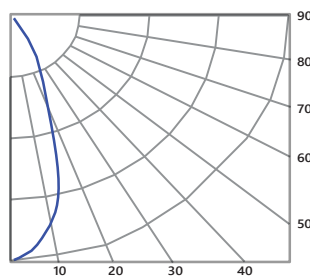


| CANDLEPOWER SUMMARY | |
|---------------------|---------|
| Angle | Candela |
| 0 | 8919 |
| 5 | 7045 |
| 15 | 1478 |
| 25 | 188 |
| 35 | 77 |
| 45 | 39 |
| 55 | 21 |

| CONE OF LIGHT | | |
|---------------|-----|-----------|
| Height | fc | Dia. (ft) |
| 6 | 248 | 2.0 |
| 8 | 139 | 2.7 |
| 10 | 89 | 3.4 |
| 12 | 62 | 4.0 |
| 14 | 45 | 4.7 |
| 16 | 35 | 5.4 |

20 Watt
1320 Lumens per head

Flood Distribution
25° Beam



| CANDLEPOWER SUMMARY | |
|---------------------|---------|
| Angle | Candela |
| 0 | 4893 |
| 5 | 4638 |
| 15 | 2291 |
| 25 | 439 |
| 35 | 135 |
| 45 | 60 |
| 55 | 30 |

| CONE OF LIGHT | | |
|---------------|-----|-----------|
| Height | fc | Dia. (ft) |
| 6 | 136 | 2.8 |
| 8 | 77 | 3.8 |
| 10 | 49 | 4.7 |
| 12 | 34 | 5.7 |
| 14 | 25 | 6.6 |
| 16 | 19 | 7.6 |

STANDARD LED CONVERSION TABLE

Lumen and CBCP output varies based on Wattage, CCT and CRI. Table below is based on 3000K, 80 CRI fixture. To estimate lumen and CBCP output of other combinations, multiply photometric data by factors below.

| 827 | 830 | 835 | 840 | 927 | 930 | 935 | 940 |
|------|-----|------|------|-----|------|------|------|
| 0.95 | 1 | 1.03 | 1.05 | 0.8 | 0.83 | 0.85 | 0.87 |

For Product or Technical Questions:

E: lightingproinfo@currentlighting.com
T: +1 888 694 3533, OPTION 2