



LBR 14 Series

Backlit Recessed 1'x4' LED

Lumination® LBR Series Recessed LED Luminaires are for commercial ceilings providing high uniformity, excellent efficiency and reduced glare for T-grid ceiling applications. The lumen maintenance of greater than L85 at 50,000 hours operation, allows for lower maintenance costs. With access to the power supply through a drop down door frame, it is suitable for indoor general lighting for both new construction and retrofit luminaire replacements.

CONSTRUCTION

Housing:	Durable, long lasting steel construction. Steel, galvanized, cold-rolled, commercial quality
Lens:	Precision formed optical assembly drop down door with access to the power supply from underneath the ceiling plane comprised of high specularly reflective paint
Paint:	High reflectance baked white enamel finish
Weight:	< 16lbs

CONTROLS

Dimming: 0-10V Dimming

LUMEN AMBIENT TEMPERATURE

TYPE	TEMPERATURE RATE
OPERATING TEMPERATURE	-20°C to +25°C (-4 °F to +77 °F)
STORAGE TEMPERATURE	-40°C TO +70°C (-40 °F to +158°F)

OPTICAL SYSTEM

Lumens:	Up to 7000 Lumens
Wattage:	Up to 59 Watts
Efficacy:	Up to 128 LPW
CCT:	3500K/4000K/5000K
CRI:	80+, R9 >0
Distribution:	Medium Lambertian
Color Consistency:	Central limit 4-Step MacAdam Ellipse with LED recipe approach for tight unit to unit color control

LUMEN MAINTENANCE

LXX(10K) @ Hours 50,000 HR
L85

ADDITIONAL FEATURES

- **Typical Mounting:** Fits standard T-Bar grid (drop ceilings)
- **Wiring Access:** 1/2" trade-size KOs on a removable access plate provided
- **Surface Mounting:** Factory installed Surface Mount option available
- **Optional Emergency Battery:** Provides 90-minutes of Emergency lighting. Note, EL option is not available with 347V option. Initial design lumen output: 1400 lumens
- **Optional Chicago Plenum:** Openings in recessed fixture sealed per requirements for CCEA
- **Optional Bypass Relay:** Overrides dimming when emergency generator is used (see ordering notes for limitations)
- Please refer to the DLC QPL website for the latest and most complete information. www.designlights.org/QPL

ELECTRICAL

Input Voltage:	120-277V, 347V
Input Frequency:	50/60 Hz
Standard Dimming Control:	0-10v Dimming
Power Factor (PF)*:	>0.9*
Total Harmonic Distortion (THD)*:	<20%*
Surge Protection	ANSI C82.77 Compliant

* PF and THD may vary with options

DESIGN LIFE & WARRANTY

- Damp Location rated
- All luminaires are built to UL 1598 standards and bear appropriate CSA labels
- Reliability Testing: Components and systems evaluation
- Current's Limited 5-year Warranty: Please see website.



CUSTOMER NAME

Project Name _____

Date _____ Type _____

Catalog Number _____

Ordering Information
LBR 14 B
WHITE

FAMILY	FIXTURE TYPE	GENERATION	VOLTAGE	NOMINAL LUMENS	DISTRIBUTION	CRI/CCT	CONTROLS	MOUNTING	FINISH	OPTIONS
LBR = Lumination Backlit Recessed	14 = 1' x 4'	B = 2 nd Generation	O = 120-277V D = 347V	25 = 2500 30 = 3000 35 = 3500 40 = 4000 45 = 4500 55 = 5500 70 = 7000	MM = Smooth Frosted Acrylic Lens, .080" Nominal A1 = Pattern A12 Acrylic Lens, .095" Nominal A2 = Pattern A12 Acrylic Lens, .125" Nominal MA = Smooth Frosted Acrylic Lens, .080" Nominal, Flush Aluminum Door	835 = 80CRI, 3500K 840 = 80CRI, 4000K 850 = 80CRI, 5000K		LT = T-Grid SM = Surface Mount	WHITE= White	(blank) = None CP = Chicago Plenum EL ¹ = Emergency Light B2 ¹ = Dimming Bypass Module W3 = 6' Whip, 4 Wire W5 ¹ = 6' Whip, 6 Wire, Dimming Leads SG = Single Gasket, Door to Housing DG = Double Gasket, SG and Lens to Door TG = Triple Gasket, DG and Housing to Ceiling WL ⁴ = Wet Location, DG or TG Required

EXAMPLE CONFIGURATIONS	LUMINAIRE LUMENS	LUMINAIRE TOTAL SYSTEM WATTS	LUMINAIRE LPW ²
LBR14B025MM835VQLTWHITE	2322	20	116
LBR14B030MM835VQLTWHITE	2923	27	108
LBR14B035MM835VQLTWHITE	3430	31	111
LBR14B040MM835VQLTWHITE	3766	34	111
LBR14B045MM835VQLTWHITE	4158	38	109
LBR14B055MM835VQLTWHITE	4761	45	106
LBR14B070MM835VQLTWHITE	6492	59	110
LBR14B025MM840VQLTWHITE	2358	20	118
LBR14B030MM840VQLTWHITE	2968	27	110
LBR14B035MM840VQLTWHITE	3484	31	112
LBR14B040MM840VQLTWHITE	3824	34	112
LBR14B045MM840VQLTWHITE	4222	38	111
LBR14B055MM840VQLTWHITE	4834	45	107
LBR14B070MM840VQLTWHITE	6593	59	112
LBR14B025MM850VQLTWHITE	2568	20	128
LBR14B030MM850VQLTWHITE	3232	27	120
LBR14B035MM850VQLTWHITE	3794	31	122
LBR14B040MM850VQLTWHITE	4164	34	122
LBR14B045MM850VQLTWHITE	4598	38	121
LBR14B055MM850VQLTWHITE	5264	45	117
LBR14B070MM850VQLTWHITE	7179	59	122

CONTROL OPTIONS	DESCRIPTIONS
VQ	0-10V Dimming

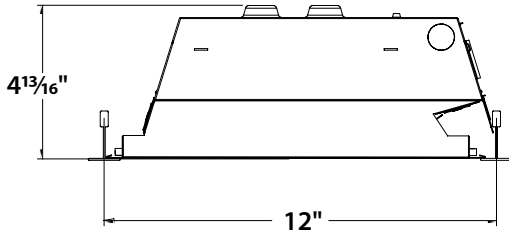
Ordering Notes:

1. EL option not available in 347V or Surface Mount.
2. Most Standard base SKU's are DLC, there are exceptions for 347V and EL for meeting PF and/or THD results. Please check the DLC QPL.
3. For emergency circuit control loads including sensors and wireless systems CSA certified to UL 924. Not available in 347V or with EL option.
4. Available with MA distribution and LT mounting only.
5. To be used in conjunction with EL option.

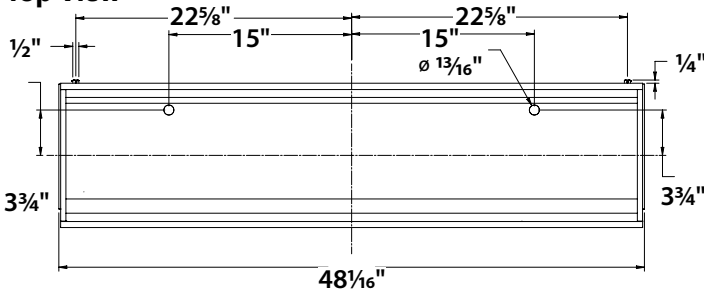
ACCESSORIES	DESCRIPTION CODE	PRODUCT CODE
Drywall mount Kit 1' x 4'	GESK09	69068

DIMENSIONS

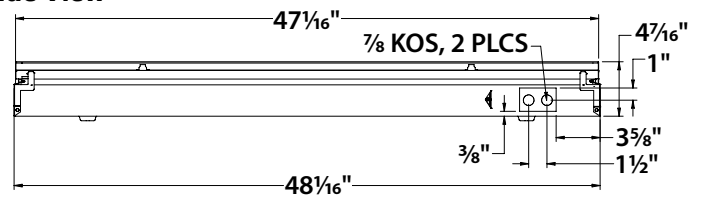
END VIEW



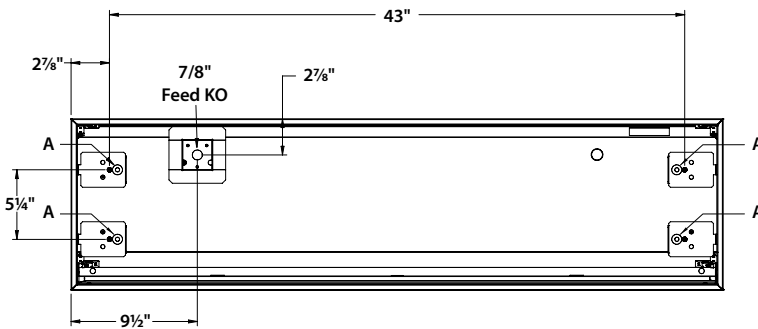
Top View



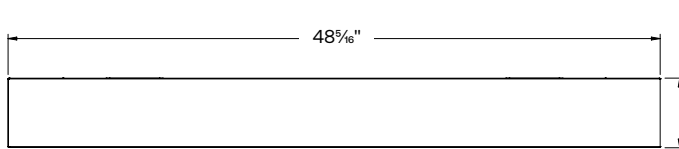
Side View



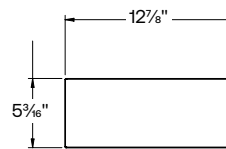
DIMENSIONAL DATA - SURFACE MOUNT (SM)



NOTE: All dimensions are in inches; dimensions and specifications are subject to change without notice. Please consult factory or check sample for verification.



Side View



End View

SURFACE MOUNT

Order SM ceiling type. Mounting collar required for surface mounting. (4) Mounting knock-outs, 1/4" to 1/2" provided as shown, marked "A".

CUSTOMER NAME

Project Name _____

Date _____ Type _____

Catalog Number _____

PHOTOMETRIC DATA

ZONAL LUMEN SUMMARY		
ZONE	LUMENS	% OF FIXTURE
0-20	695.78	17.2
0-30	1452.96	35.9
0-40	2280.66	56.4
0-60	3489.44	86.3
0-80	3961.99	98
0-90	4043.42	100
10-90	3862.54	95.5
20-40	1584.88	39.2
20-50	2295.65	56.8
40-70	1502.12	37.1
60-80	472.56	11.7
70-80	179.21	4.4
80-90	81.43	2
90-110	0	0
90-120	0	0
90-130	0	0
90-150	0	0
90-180	0	0
110-180	0	0
0-180	4043.42	100

ZONAL LUMEN SUMMARY	
ZONE	LUMENS
0-10	180.88
10-20	514.9
20-30	757.18
30-40	827.7
40-50	710.78
50-60	498
60-70	293.35
70-80	179.21
80-90	81.43
90-100	0
100-110	0
110-120	0
120-130	0
130-140	0
140-150	0
150-160	0
160-170	0
170-180	0

