



CUSTOMER NAME _____

Project Name _____

Date _____ Type _____

Catalog Number _____

LBRB 22 Series

Backlit Recessed 2'x2' LED

Lumination® LBR Series Recessed LED Luminaires are for commercial ceilings providing high uniformity, excellent efficiency and reduced glare for T-grid ceiling applications. The lumen maintenance of greater than L85 at 50,000 hours operation, allows for lower maintenance costs. With access to the power supply through a drop down door frame, it is suitable for indoor general lighting for both new construction and retrofit luminaire replacements.

CONSTRUCTION

Housing:	Durable, long lasting steel construction. Steel, galvanized, cold-rolled, commercial quality
Lens:	Precision formed optical assembly drop down door with access to the power supply from underneath the ceiling plane comprised of high specularly reflective paint
Paint:	High reflectance baked white enamel finish
Weight:	< 11lbs

CONTROLS

Dimming: 0-10V Dimming, 1%

LUMEN AMBIENT TEMPERATURE

TYPE	TEMPERATURE RATE
OPERATING TEMPERATURE	-20°C to +25°C (-4 °F to +77 °F)
STORAGE TEMPERATURE	-40°C TO +70°C (-40 °F to +158°F)

LUMEN MAINTENANCE

LXX(10K) @ Hours 50,000 HR
L85

OPTICAL SYSTEM

Lumens:	Up to 5500 Lumens
Wattage:	Up to 40 Watts
Efficacy:	Up to 135 LPW
CCT:	3500K/4000K/5000K
CRI:	80+, R9 >0
Distribution:	Medium Lambertian
Color Consistency:	Central limit 4-Step MacAdam Ellipse with LED recipe approach for tight unit to unit color control

ADDITIONAL FEATURES

- **Typical Mounting:** Fits standard T-Bar grid (drop ceilings)
- **Wiring Access:** 1/2" trade-size KOs on a removable access plate provided
- **Surface Mounting:** Factory installed Surface Mount option available
- **Optional Emergency Battery:** Provides 90-minutes of Emergency lighting. Note, EL option is not available with 347V option. Initial design lumen output: 1400 lumens
- **Optional Chicago Plenum:** Openings in recessed fixture sealed per requirements for CCEA
- **Optional Bypass Relay:** Overrides dimming when emergency generator is used (see ordering notes for limitations)
- Please refer to the DLC QPL website for the latest and most complete information. www.designlights.org/QPL

ELECTRICAL

Input Voltage:	120-277V, 347V
Input Frequency:	50/60 Hz
Standard Dimming Control:	0-10v Dimming
Power Factor (PF)*:	>0.9*
Total Harmonic Distortion (THD)*:	<20%*
LED Driver Type:	Class 2
Surge Protection:	ANSI C82.77 Compliant

* PF and THD may vary with options

DESIGN LIFE & WARRANTY

- Damp Location rated
- All luminaires are built to UL 1598 standards and bear appropriate CSA labels.
- Reliability Testing: Components and systems evaluation
- Current's Limited 5-year Warranty: Please see website.



Ordering Information

LBR 22 B _____ **WHITE** _____

FAMILY	FIXTURE TYPE	GENERATION	VOLTAGE	NOMINAL LUMENS	DISTRIBUTION	CRI/CCT	CONTROLS	MOUNTING	FINISH	OPTIONS
LBR = Lumination Backlit Recessed	22 = 2' x 2'	B = 2 nd Generation	0 = 120-277V D = 347V	20 = 2000 25 = 2500 30 = 3000 35 = 3500 45 = 4500 55 = 5500	MM = Smooth Frosted Acrylic Lens, .080" Nominal A1 = Pattern A12 Acrylic Lens, .095" Nominal A2 = Pattern A12 Acrylic Lens, .125" Nominal MA = Smooth Frosted Acrylic Lens, .080" Nominal, Flush Aluminum Door	835 = 80CRI, 3500K 840 = 80CRI, 4000K 850 = 80CRI, 5000K		LT = T-Grid SM = Surface Mount	WHITE= White	(blank) = None CP = Chicago Plenum EL ¹ = Emergency Light B2 ¹ = Dimming Bypass Module W3 = 6' Whip, 4 Wire W5 ⁴ = 6' Whip, 6 Wire, Dimming Leads SG = Single Gasket, Door to Housing DG = Double Gasket, SG and Lens to Door TG = Triple Gasket, DG and Housing to Ceiling WL ³ = Wet Location, DG or TG Required

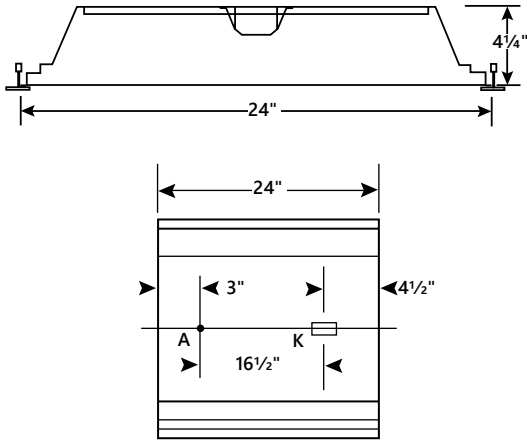
EXAMPLE CONFIGURATIONS	LUMINAIRE LUMENS	LUMINAIRE TOTAL SYSTEM WATTS	LUMINAIRE LPW ²
LBR22B020MM835VQLTWHITE	1926	18	107
LBR22B025MM835VQLTWHITE	2479	24	103
LBR22B030MM835VQLTWHITE	3365	31	109
LBR22B035MM835VQLTWHITE	3684	33	112
LBR22B045MM835VQLTWHITE	4265	42	102
LBR22B055MM835VQLTWHITE	4824	40	121
LBR22B020MM840VQLTWHITE	1956	18	109
LBR22B025MM840VQLTWHITE	2517	24	105
LBR22B030MM840VQLTWHITE	3419	31	110
LBR22B035MM840VQLTWHITE	3743	33	113
LBR22B045MM840VQLTWHITE	4334	42	103
LBR22B055MM840VQLTWHITE	4899	40	122
LBR22B020MM850VQLTWHITE	2130	18	118
LBR22B025MM850VQLTWHITE	2741	24	114
LBR22B030MM850VQLTWHITE	3722	31	120
LBR22B035MM850VQLTWHITE	4074	33	123
LBR22B045MM850VQLTWHITE	4718	42	112
LBR22B055MM850VQLTWHITE	5334	40	133

CONTROL OPTIONS	DESCRIPTIONS
VQ	0-10v Dimming

- Ordering Notes:**
1. EL option not available in 347V or with SM mounting
 2. Most Standard base SKU's are DLC, there are exceptions for 347V and EL for meeting PF and/or THD results. Please check the DLC QPL.
 3. Bypass is not available with 347V and cannot be selected with EL.
 4. To be used in conjunction with EL option
 5. Available with MA distribution and LT mounting only

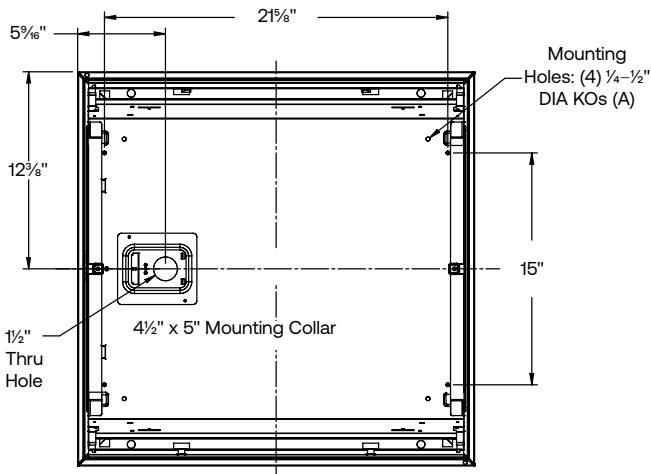
ACCESSORIES	PRODUCT CODE
LBRB Drywall Kit 2' x 2'	93310593

DIMENSIONS

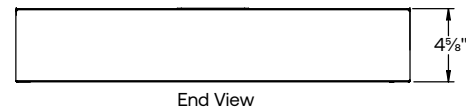
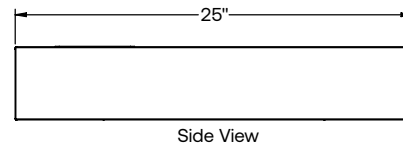


A - 7/8" Diameter Knockout
 K - 2" x 3" through hole for access plate

DIMENSIONAL DATA - SURFACE MOUNT



NOTE: All dimensions are in inches; dimensions and specifications are subject to change without notice. Please consult factory or check sample for verification.



SURFACE MOUNT

Order SM ceiling type. Mounting collar required for surface mounting. (4) Mounting knock-outs, 1/4" to 1/2" provided as shown, marked "A".

CUSTOMER NAME

Project Name _____

Date _____ Type _____

Catalog Number _____

PHOTOMETRIC DATA

ZONAL LUMEN SUMMARY		
ZONE	LUMENS	% OF FIXTURE
0-20	524.43	16.5
0-30	1095.56	34.5
0-40	1732.08	54.5
0-60	2719.89	85.6
0-80	3113.49	98
0-90	3176.71	100
10-90	3040.08	95.7
20-40	1207.65	38
20-50	1781.58	56.1
40-70	1235.1	38.9
60-80	393.6	12.4
70-80	146.31	4.6
80-90	63.22	2
90-110	0	0
90-120	0	0
90-130	0	0
90-150	0	0
90-180	0	0
110-180	0	0
0-180	3176.71	100

ZONAL LUMEN SUMMARY	
ZONE	LUMENS
0-10	136.63
10-20	387.8
20-30	571.12
30-40	636.52
40-50	573.94
50-60	413.88
60-70	247.29
70-80	146.31
80-90	63.22
90-100	0
100-110	0
110-120	0
120-130	0
130-140	0
140-150	0
150-160	0
160-170	0
170-180	0

