

## LBR 24 Series

### Backlit Recessed 2'x4' LED

Lumination® **LBR Series** Recessed LED Luminaires are for commercial ceilings providing high uniformity, excellent efficiency and reduced glare for T-grid ceiling applications. The lumen maintenance of greater than L85 at 50,000 hours operation, allows for lower maintenance costs. With access to the power supply through a drop down door frame, it is suitable for indoor general lighting for both new construction and retrofit luminaire replacements.



### CONSTRUCTION

<b>Housing:</b>	Durable, long lasting steel construction. Steel, galvanized, cold-rolled, commercial quality
<b>Lens:</b>	Precision formed optical assembly drop down door with access to the power supply from underneath the ceiling plane comprised of high specularly reflective paint
<b>Paint:</b>	High reflectance baked white enamel finish
<b>Weight:</b>	16lbs

### OPTICAL SYSTEM

<b>Lumens:</b>	Up to 9500 Lumens
<b>Wattage:</b>	Up to 75 Watts
<b>Efficacy:</b>	Up to 146 LPW
<b>CCT:</b>	3500K/4000K/5000K
<b>CRI:</b>	80+, R9 >0
<b>Distribution:</b>	Medium Lambertian
<b>Color Consistency:</b>	Central limit 4-Step MacAdam Ellipse with LED recipe approach for tight unit to unit color control

### ELECTRICAL

<b>Input Voltage:</b>	120-277V, 347V
<b>Input Frequency:</b>	50/60 Hz
<b>Standard Dimming Control:</b>	0-10v Dimming
<b>Power Factor (PF)*:</b>	>0.9*
<b>Total Harmonic Distortion (THD)*:</b>	<20%*
<b>LED Driver Type:</b>	Class 2
<b>Surge Protection:</b>	ANSI C82.77 Compliant

\* PF and THD may vary with options

### CONTROLS

**Dimming:** 0-10v Dimming

### LUMEN AMBIENT TEMPERATURE

TYPE	TEMPERATURE RATE
<b>OPERATING TEMPERATURE</b>	-20°C to +25°C (-4 °F to +77 °F)
<b>STORAGE TEMPERATURE</b>	-40°C TO +70°C (-40 °F to +158°F)

### LUMEN MAINTENANCE

LXX(10K) @ Hours 50,000 HR
L85

### ADDITIONAL FEATURES

- **Typical Mounting:** Fits standard T-Bar grid (drop ceilings)
- **Wiring Access:** 1/2" trade-size KOs on a removable access plate provided
- **Surface Mounting:** Factory installed Surface Mount option available
- **Optional Emergency Battery:** Provides 90-minutes of Emergency lighting. Note, EL option is not available with 347V option. Initial design lumen output: 1400 lumens
- **Optional Chicago Plenum:** Openings in recessed fixture sealed per requirements for CCEA
- **Optional Bypass Relay:** Overrides dimming when emergency generator is used (see ordering notes for limitations)
- Please refer to the DLC QPL website for the latest and most complete information. [www.designlights.org/QPL](http://www.designlights.org/QPL)

### DESIGN LIFE & WARRANTY

- Damp Location rated
- All luminaries are built to UL 1598 standards and bear appropriate CSA labels
- Reliability Testing: Components and systems evaluation
- Current's Limited 5-year Warranty: Please see website.




**CUSTOMER NAME**

Project Name \_\_\_\_\_

Date \_\_\_\_\_ Type \_\_\_\_\_

Catalog Number \_\_\_\_\_

**Ordering Information**
**LBR 24 B**
**WHITE**

FAMILY	FIXTURE TYPE	GENERATION	VOLTAGE	NOMINAL LUMENS	DISTRIBUTION	CRI/CCT	CONTROLS	MOUNTING	FINISH	OPTIONS
LBR = Lumination Backlit Recessed	24 = 2' x 4'	B = 2 <sup>nd</sup> Generation	O = 120-277V D = 347V	25 = 2500 30 = 3000 35 = 3500 40 = 4000 45 = 4500 55 = 5500 70 = 7000 85 = 8500 95 = 9500	MM = Smooth Frosted Acrylic Lens, .080" Nominal A1 = Pattern A12 Acrylic Lens, .095" Nominal A2 = Pattern A12 Acrylic Lens, .125" Nominal MA = Smooth Frosted Acrylic Lens, .080" Nominal, Flush Aluminum Door	835 = 80CRI, 3500K 840 = 80CRI, 4000K 850 = 80CRI, 5000K		LT = T-Grid SM = Surface Mount	WHITE= White	(blank) = None CP = Chicago Plenum EL <sup>1</sup> = Emergency Light B2 <sup>2</sup> = Dimming Bypass Module W3 <sup>3</sup> = 6' Whip, 4 Wire W5 <sup>3</sup> = 6' Whip, 6 Wire, Dimming Leads SG = Single Gasket, Door to Housing DG = Double Gasket, SG and Lens to Door TG = Triple Gasket, DG and Housing to Ceiling WL <sup>4</sup> = Wet Location, DG or TG Required

EXAMPLE CONFIGURATIONS	LUMINAIRE LUMENS	LUMINAIRE TOTAL SYSTEM WATTS	LUMINAIRE LPW <sup>2</sup>
LBR24B025MM835VQLTWHITE	2640	20	132
LBR24B030MM835VQLTWHITE	3441	27	127
LBR24B035MM835VQLTWHITE	3886	31	125
LBR24B040MM835VQLTWHITE	4268	34	126
LBR24B045MM835VQLTWHITE	4718	38	124
LBR24B055MM835VQLTWHITE	5441	45	121
LBR24B070MM835VQLTWHITE	7407	59	126
LBR24B085MM835VQLTWHITE	8829	73	121
LBR24B095MM835VQLTWHITE	9865	75	132
LBR24B025MM840VQLTWHITE	2681	20	134
LBR24B030MM840VQLTWHITE	3495	27	129
LBR24B035MM840VQLTWHITE	3946	31	127
LBR24B040MM840VQLTWHITE	4334	34	127
LBR24B045MM840VQLTWHITE	4792	38	126
LBR24B055MM840VQLTWHITE	5526	45	123
LBR24B070MM840VQLTWHITE	7522	59	127
LBR24B085MM840VQLTWHITE	8966	73	123
LBR24B095MM840VQLTWHITE	10018	75	134
LBR24B025MM850VQLTWHITE	2919	20	146
LBR24B030MM850VQLTWHITE	3806	27	141
LBR24B035MM850VQLTWHITE	4297	31	139
LBR24B040MM850VQLTWHITE	4720	34	139
LBR24B045MM850VQLTWHITE	5218	38	137
LBR24B055MM850VQLTWHITE	6017	45	134
LBR24B070MM850VQLTWHITE	8191	59	139
LBR24B085MM850VQLTWHITE	9763	73	134
LBR24B095MM850VQLTWHITE	10909	75	146

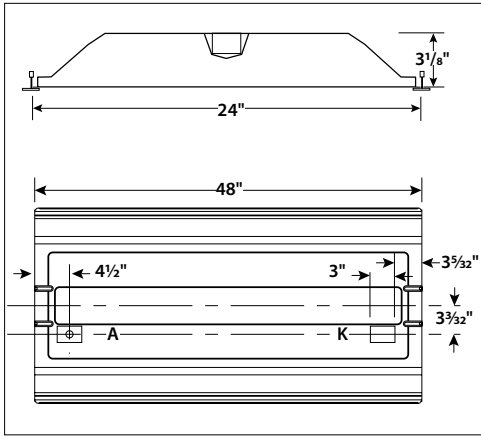
CONTROL OPTIONS	DESCRIPTIONS
VQ	0-10v Dimming

**Ordering Notes:**

- EL option not available in 347V
- Most Standard base SKU's are DLC, there are exceptions for 347V and EL for meeting PF and/or THD results. Please check the DLC QPL.
- For emergency circuit control loads including sensors and wireless systems CSA certified to UL 924. Not available in 347V or with EL option
- Available with MA distribution and LT mounting only.
- To be used in conjunction with EL option.

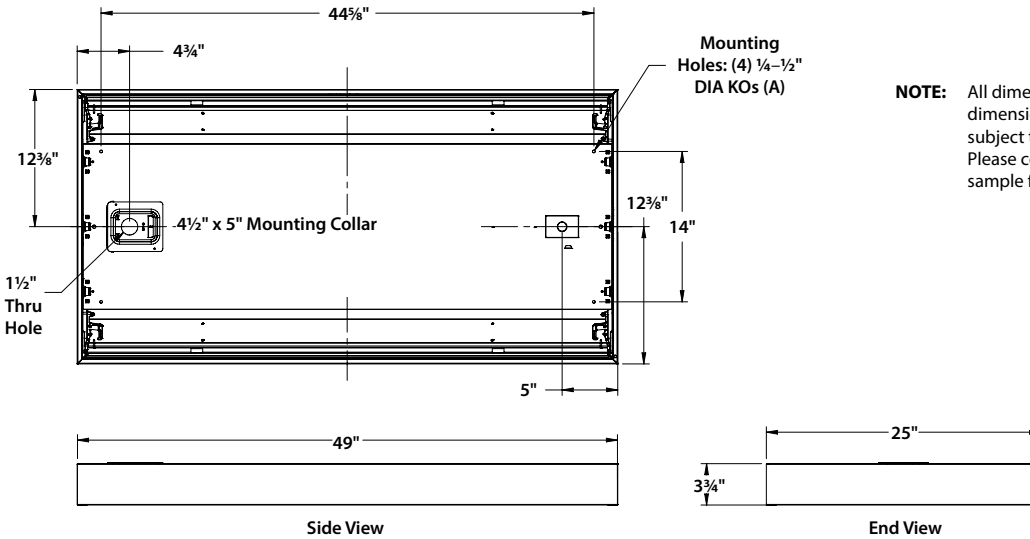
ACCESSORIES	DESCRIPTION CODE	PRODUCT CODE
Drywall mount Kit 2' x 4'	GESK11	69523

### DIMENSIONS



A: 3/8" Diameter knockout  
 K: 2" x 3" through hole for access plate.

### DIMENSIONAL DATA - SURFACE MOUNT



**NOTE:** All dimensions are in inches; dimensions and specifications are subject to change without notice. Please consult factory or check sample for verification.

### SURFACE MOUNT

Order SM ceiling type. Mounting collar required for surface mounting. (4) Mounting knock-outs, 1/4" to 1/2" provided as shown, marked "A".

**CUSTOMER NAME**

Project Name \_\_\_\_\_

Date \_\_\_\_\_ Type \_\_\_\_\_

Catalog Number \_\_\_\_\_

**PHOTOMETRIC DATA**

ZONAL LUMEN SUMMARY		
ZONE	LUMENS	% OF FIXTURE
0-20	723.96	15.8
0-30	1532.17	33.4
0-40	2466.66	53.8
0-60	3946.24	86
0-80	4500.63	98.1
0-90	4586.56	100
10-90	4399.33	95.9
20-40	1742.7	38
20-50	2600.14	56.7
40-70	1837.31	40.1
60-80	554.39	12.1
70-80	196.66	4.3
80-90	85.93	1.9
90-110	0	0
90-120	0	0
90-130	0	0
90-150	0	0
90-180	0	0
110-180	0	0
0-180	4586.56	100

ZONAL LUMEN SUMMARY	
ZONE	LUMENS
0-10	187.23
10-20	536.73
20-30	808.21
30-40	934.5
40-50	857.44
50-60	622.14
60-70	357.73
70-80	196.66
80-90	85.93
90-100	0
100-110	0
110-120	0
120-130	0
130-140	0
140-150	0
150-160	0
160-170	0
170-180	0

