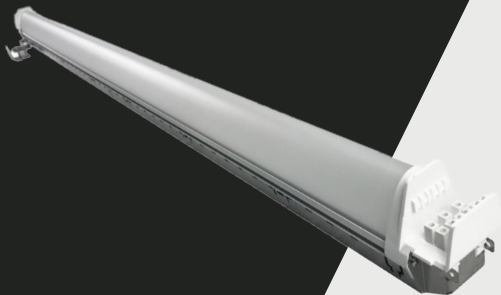


# Lumination

## LUR2 Series

### LED Suspended Retrofit Kit



CUSTOMER NAME \_\_\_\_\_

Project Name \_\_\_\_\_

Date \_\_\_\_\_ Type \_\_\_\_\_

Catalog Number \_\_\_\_\_

**Lumination®** LUR2 Series retrofit kits are designed to offer lighting designers a high performance retrofit solution with excellent efficacy, reliability and quality of light matched with the Daintree Connected wireless dimming solution for fully independent control of all luminaire. Equipped with integrated electrical connections for continuous rows the LUR2 series offers unparalleled speed of installation.

### CONSTRUCTION

<b>Housing:</b>	Extruded aluminum and steel
<b>Lens:</b>	Premium optical grade acrylic
<b>Paint:</b>	White powder paint, White connectors & endcaps
<b>Weight:</b>	<15lbs (8ft length)

### OPTICAL SYSTEM

<b>Lumens:</b>	10,400lm
<b>Distribution</b>	Lambertian
<b>Efficacy</b>	142 LPW
<b>Wattage:</b>	73W
<b>CCT:</b>	4000K
<b>CRI (Min):</b>	85
<b>R9 (Min):</b>	25

### ELECTRICAL

<b>Input Voltage:</b>	120V-277V
<b>Input Frequency:</b>	50/60Hz
<b>Power Factor (PF)*:</b>	> 90%
<b>Total Harmonic Distortion (THD)*:</b>	<20
<b>Surge Protection:</b>	ANSI C82.77 Compliant
<b>Transient Protection:</b>	100 kHz ring wave, 2.5kV level,
<b>Electronic Vibration Testing:</b>	Multi-axis, Vibration Profile: 2-2000 Hz, 0.5Gs on electronics

\* PF and THD may vary with options

### CONTROLS

<b>Dimming:</b>	0-10V 1%
<b>Controls:</b>	Daintree Wireless® Compatible

### AMBIENT TEMPERATURE

Product ID	Operating Temperature	Storage Temperature
LUR2	-10°C TO +30° C	-40°C TO +70°C

### LUMEN MAINTENANCE

Projected L70 per IES TM-21 at max 35°C

<b>LXX(10K) @ Hours</b>
<b>60,000 HR</b>
<b>L70</b>

### MOUNTING

- Mounting:** Universal bracket design allows for retrofit into a multitude of existing suspended fixtures. Choose Cxxx option for custom retrofit bracket\*  
\*Contact manufacturer for details and lead time

### DESIGN LIFE & WARRANTY

- Reliability Testing:** Components and/or systems evaluation at extreme conditions and monitored during production.
- Damp Location Rated
- IP40 Rated
- Current's Limited 5-year Warranty:** Please see website.



**CUSTOMER NAME**

Project Name \_\_\_\_\_

Date \_\_\_\_\_ Type \_\_\_\_\_

Catalog Number \_\_\_\_\_

**1. FIXTURE**
**LUR2    D8    0    A0    V1    840       CS    WHITE**  
 - - - -    - -    -    - -    - -    - - - -    - -    - - - -    - - - -

FAMILY	FIXTURE TYPE	VOLTAGE	LUMEN OUTPUT	DISTRIBUTION	CRI/CCT	CONTROL	MOUNTING	FINISH	BRACKETS
LUR2	D8 = 2x8FT	0 = 120-277V	A0 = 10400	V1 = Very Wide	840 = 85CRI, 4000K	V1 = 0-10V TQ = Daintree Connected	CS = Suspended	WHITE	MAIN = 3IN1 = Standard SIN = Single Tombstone CXXX = Custom

**2. STARTER KITS**

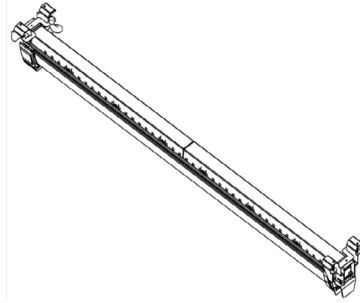
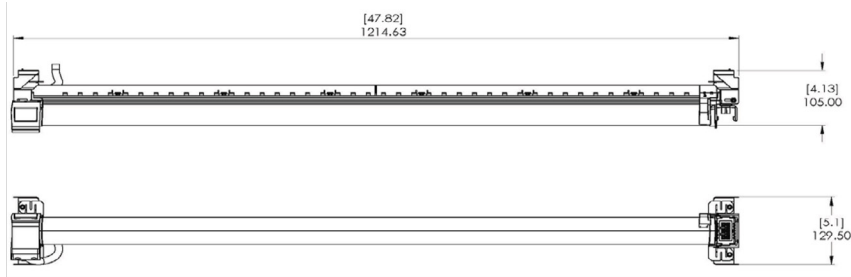
Required - 1 per row / electrical drop

SKU	ORDERING CAT	DESCRIPTION
93149313	AK-LUR-STARTER-3IN1	STARTER KIT FOR 3IN1 MOUNTING
93149315	AK-LUR-STARTER-SIN	STARTER KIT FOR SIN MOUNTING

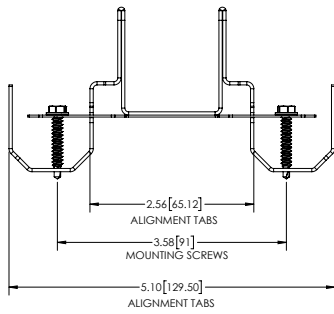
**3. ACCESSORIES KITS**

SKU	ORDERING CAT	DESCRIPTION
93149311	AK-LUR2-CON-BRIDGE	B-BRIDGE KIT
93149312	AK-LUR2-CON-BRIDGE-EXT	EXTENDED B-BRIDGE KIT
93149240	AK-LUR2-BRKT-SAMPLER	SAMPLER KIT FOR MOUNTING BRACKETS (1 PAIR)

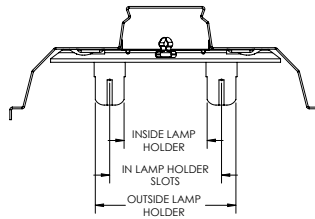
**DIMENSIONS**



3 in 1 BRACKET DIMENSIONS

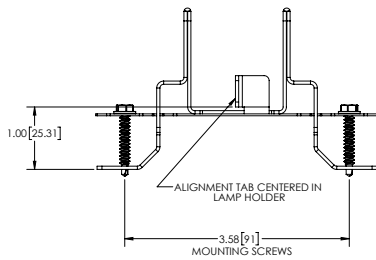


ALIGNMENT ON FIXTURE

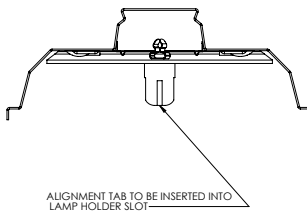


ONE SET OF ALIGNMENT TABS SHOULD LINE UP WITH THE INSIDE, OUTSIDE, OR SLOTS OF THE LAMP HOLDERS TO ENSURE STRAIGHT INSTALLATION

SIN BRACKET DIMENSIONS



ALIGNMENT ON FIXTURE



ALIGNMENT TAB TO BE INSERTED INTO LAMP HOLDER SLOT

**For Product or Technical Questions:**

Email: [lightingproinfo@currentlighting.com](mailto:lightingproinfo@currentlighting.com)

Phone: +1 888 694 3533, option 2