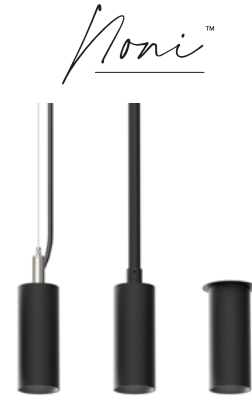


NOC-1.5R

NONI 1.5" ROUND CYLINDER FAMILY

FEATURES

- Downlight, Lensed Wall Wash
- Surface, Pendant
- Cast aluminum, magnetically-attached reflectors with applied finishes
- High-CBCP (HO) Optic available (excludes LW)
- 740 lumens max @ 80 CRI 3500K
- 90 CRI (27, 30, 35, 40K); 80 CRI (30, 35K)



SPECIFICATIONS

CONSTRUCTION

- Extruded and machined aluminum housing
- Downlight (DL) & Lensed Wall Wash (LW) functions feature reflectors from recessed portfolio
- ¼" Overlap flange fully covers junction box
- Cylinder assembly includes cylinder housing & reflector insert. Both matte finish. Can be mixed/matched as desired. Insert attaches to housing via magnets. Gasket centers insert

OPTICS

- High-CBCP (HO) Optic: High efficiency, hybrid-style polycarbonate TIR
- Primary optic (HO) accepts 1 beam shaping accessory.
- Reflector media holders included standard. Accept 1 reflector accessory.
- LW style wall washer from recessed portfolio provided

ELECTRICAL

- Integral LED module and driver are field-servicable
- Chip-on-board LED. 2 SDCM CCT consistency.
- LED rated life L70 at >55,000 hours (TM-21)
- Integral solid state constant current dimming driver. 1% and Dim-to-Dark options for 0-10V, ELV and TRIAC controls
- UL Class 2, inherent short circuit and overload protection. RoHS compliant

INSTALLATION

- Ceiling mounted applications utilize standard 4x4" octagonal junction box (provided by others)
- Open ceiling canopy option features cutouts to allow surface-mounted conduit to pass through luminaire

CERTIFICATIONS

- cULus certified to UL 1598 for damp locations
- Do not install in environments where ambient temperature exceeds 25°C

WARRANTY

- 5 year warranty

KEY DATA	
Lumen Range	445 - 680
SCDM	2
Rated life	L70 @ >55,000 Hours
Efficacy	85 LPW @ 90 CRI 3000K

NOC-1.5R

NONI 1.5" ROUND CYLINDER FAMILY

ORDERING GUIDE

Examples: NOC-1.5RDL-CHNCSCMBL-HO25927K-DM1NU-GT-CLR/NOC-1.5RDL-TRM-RPP-FRS

CATALOG #

HOUSING

NOC-1.5R		CHN			Optic Type	
Series/Category/Size/Shape	Function	Housing	Canopy	Mounting		
NOC-1.5R Noni Cylinder Family 1.5" Round	DL Downlight	CHN Cylinder Housing	CS Canopy - Standard CC Canopy - Conduit	CMBL Cable/Cord 6ft Black Cord ² CMWH Cable/Cord 6ft White Cord ² CM15BL Cable/Cord 15ft Black Cord CM15WH Cable/Cord 15ft White Cord PR Stem - Rigid (Standard) Nominal 18" length from cylinder top to ceiling ¹ PR_ Stem - Rigid (Custom) Specify length from cylinder top to ceiling in 1 inch increments from 15" to 60" ¹ P Stem - Swivel (Standard) Nominal 18" length from cylinder top to ceiling ¹ P_ Stem - Swivel (Custom) Specify length from cylinder top to ceiling in 1 inch increments from 15" to 60" ¹ SU Surface	High-CBCP Optic	
	LW Lensed Wall Wash				HO25 25° HO30 30° HO35 35° HO40 40° HO45 45° Wall Wash Optic LWLW Lensed Wall Wash ⁴	

CRI/CCT	DM1	Control Options	U	Cylinder Housing Color	Lens ³
	Driver Options		Voltage	Texture	
927K 90 CRI, 2700K 930K 90 CRI, 3000K 935K 90 CRI, 3500K 940K 90 CRI, 4000K 830K 80 CRI, 3000K 835K 80 CRI, 3500K	DM1 0-10V, ELV, TRIAC 1%	N None	U Universal Voltage 120-277V	WH White GY Gray BL Black GT Graphite PP Pink Panache GH Grasshopper Smooth WHS White GYS Gray BLS Black COS Copper AMW Anti-Microbial White Other X Custom Finish	CLR Clear FRS Frosted HEX Hex Cell Louver LIN Linear Spread NON No Lens SOL Solite

TRIM

NOC-1.5R		TRM	Reflector Insert Color	Reflector Accessory
Series/Category/Size/Shape	Function	Housing	Texture	
NOC-1.5R Noni Cylinder Family 1.5" Round	DL Downlight	TRM Trim	RWH White RGY Gray RBL Black RGT Graphite RPP Pink Panache RGH Grasshopper Smooth RWHS White RGYS Gray RBL Black RCOS Copper RAMW Anti-Microbial White Other RX Custom Finish	FRS Frosted ⁴
	LW Lensed Wall Wash			

Notes:

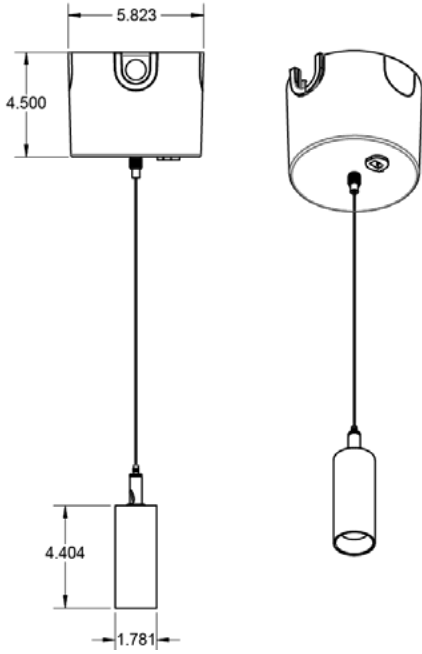
- 1 Stem length varies by canopy configuration. See Dimensions section for details
- 2 Cable/Cord can be cut in the field to custom length
- 3 For DL only
- 4 Available only when "LW" function selected

NOC-1.5R

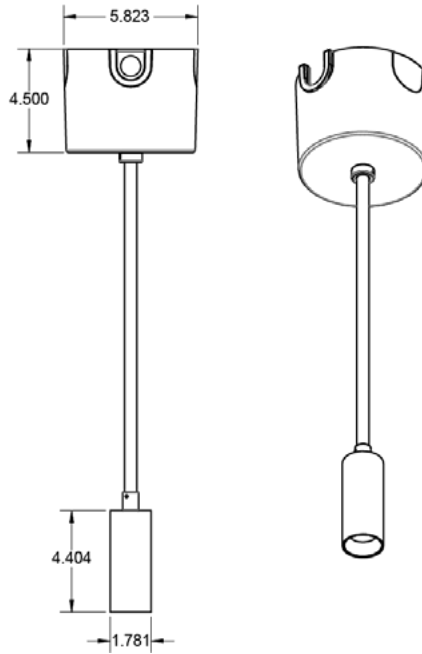
NONI 1.5" ROUND CYLINDER FAMILY

DIMENSIONS

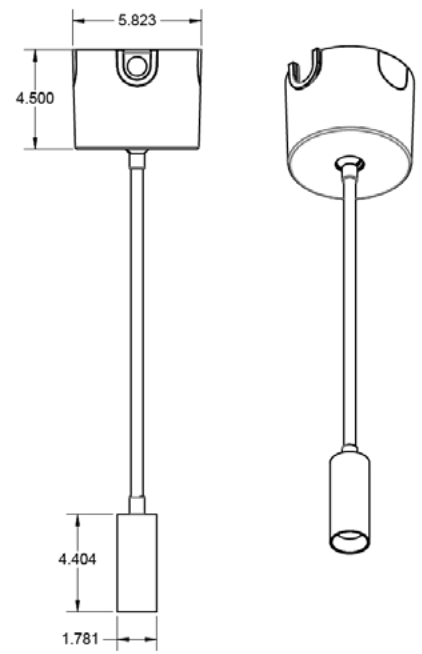
**Cable/Cord Mount
Conduit Canopy**



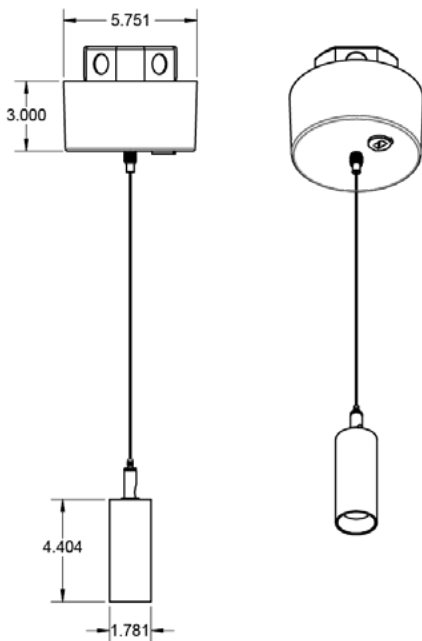
**Stem - Rigid Mount
Conduit Canopy**



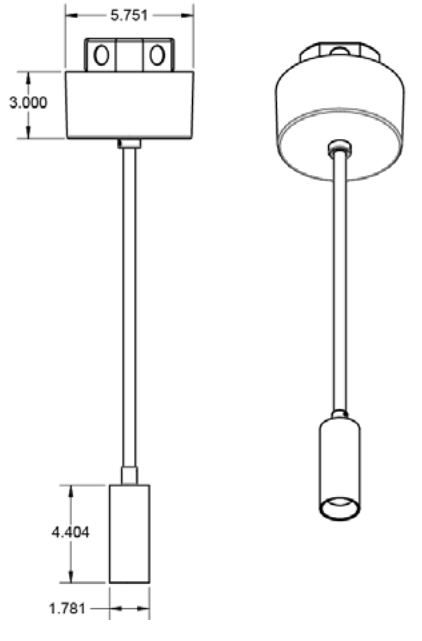
**Stem - Swivel Mount
Conduit Canopy**



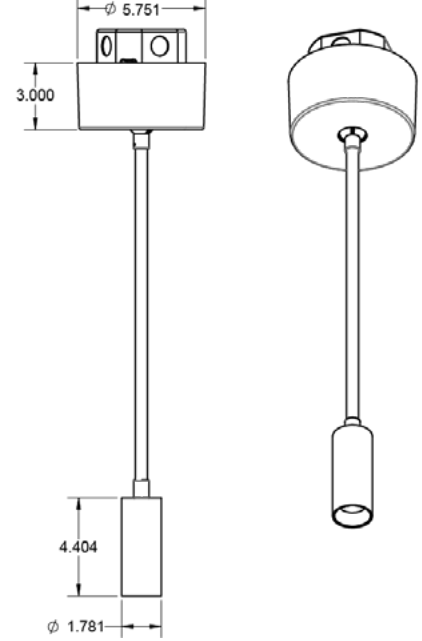
**Cable/Cord Mount
Standard Canopy**



**Stem - Rigid Mount
Standard Canopy**



**Stem - Swivel Mount
Standard Canopy**

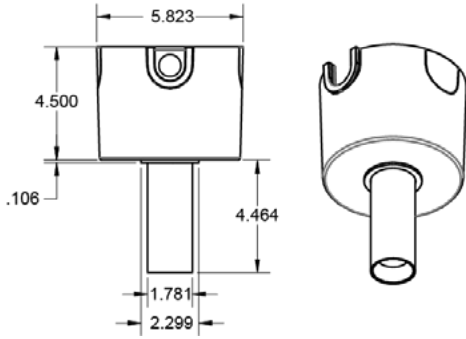


NOC-1.5R

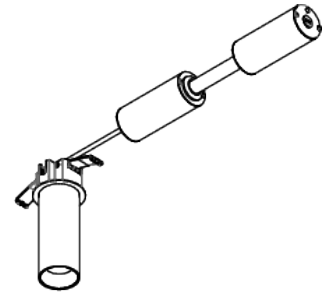
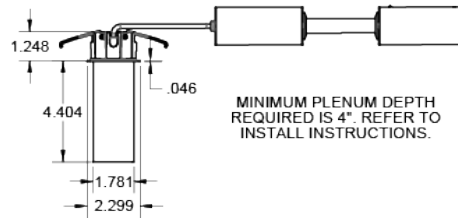
NONI 1.5" ROUND CYLINDER FAMILY

DIMENSIONS (CONTINUED)

**Surface Mount
Conduit Canopy**



**Surface Mount
Standard Canopy**



NOC-1.5R

NONI 1.5" ROUND CYLINDER FAMILY

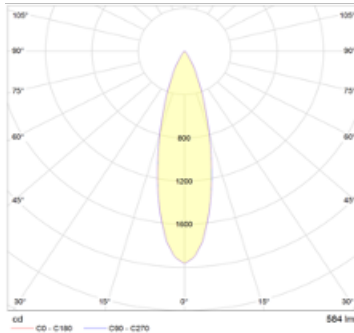
PHOTOMETRY

NOC-1.5RDL-CHNCSSU-HO25835K-DM1NUWHSSOL - NOR-1.5RDL-TRM-RWHS

LUMINAIRE DATA

Test No.	Scaled from 22.00410
Description	Noni 1.5" round downlight. 80 CRI, 35K. High Output Optic, 25 deg beam. White Reflector, Solite Lens.
Delivered Lumens	586
Watts	8
Efficacy	77
Mounting	Surface
Spacing Criterion	0.5
Beam Angle	25

POLAR GRAPH



CANDELA DISTRIBUTION

Degree	Candela
0	1965
5	1769
15	839
25	257
35	64
45	17
55	10
65	7
75	3
85	1
90	0

LUMINANCE DATA*

Vertical Angle	Average
45°	17532
55°	12968
65°	11733
75°	9581
85°	9484

*Candela/Square Meter

ZONAL LUMEN SUMMARY

Zone	Lumens	% Luminaire
0-40	552	94
0-60	575	98
0-90	586	100
0-180	586	100

NOC-1.5R

NONI 1.5" ROUND CYLINDER FAMILY

ELECTRICAL DATA

	DM1
Dimming Protocols Supported	0-10V, ELV, TRIAC
Input Voltage	120-277V
Input Frequency	50/60 Hz
Dim Level	2%
Power Factor (PF)	≥0.90
Total Harmonic Distortion (THD)	<20%
Inrush Current	NEMA 410 Limit
Electromagnetic Interference (EMI) Filtering	FCC CFR Title 47 Part 15 Class B
Transient Surge Protection	IEEE C62.41.1-2002 & C62.41.2-2002 Category A
Output Power	8W - Standard CCT, NHN

ADDITIONAL INFORMATION

Central Inverters

For full lumen output in back-up mode, we recommend you visit www.dual-lite.com for your Central Lighting Inverter options. Please contact your local Current representative for any assistance with proper sizing and loading of your inverter selection. Central lighting inverters must be ordered separately.