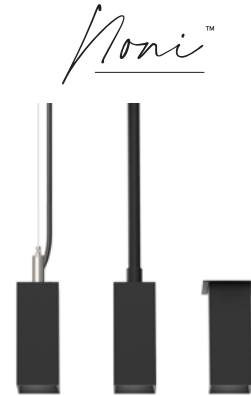


# NOC-1.5S

NONI 1.5" SQUARE CYLINDER FAMILY

## FEATURES

- Downlight, Lensed Wall Wash
- Surface, Pendant
- Cast aluminum, magnetically-attached reflectors with applied finishes
- Ultra-Smooth (SO) Optic (excludes LW)
- 760 lumens max @ 80 CRI 3500K
- 90 CRI (27, 30, 35, 40K); 80 CRI (30, 35K)



## SPECIFICATIONS

### CONSTRUCTION

- Extruded and machined aluminum housing
- Downlight (DL) & Lensed Wall Wash (LW) functions feature reflectors from recessed portfolio
- ¼" Overlap flange fully covers junction box
- Cylinder assembly includes cylinder housing & reflector insert. Both matte finish. Can be mixed/matched as desired. Insert attaches to housing via magnets. Gasket centers insert

### OPTICS

- Ultra-Smooth (SO) Optic: Optical-grade silicone resulting in uniform distribution & smooth transition
- Primary optic (SO) accepts 1 beam shaping accessory
- Reflector media holders included standard. Accept 1 reflector accessory
- LW style wall washer from recessed portfolio provided

### ELECTRICAL

- Integral LED module and driver are field-servicable
- Chip-on-board LED. 2 SDCM CCT consistency
- LED rated life L70 at >55,000 hours (TM-21)
- Integral solid state constant current dimming driver. 1% and Dim-to-Dark options for 0-10V, ELV and TRIAC controls
- UL Class 2, inherent short circuit and overload protection. RoHS compliant

### INSTALLATION

- Ceiling mounted applications utilize standard 4x4" octagonal junction box (provided by others)
- Open ceiling canopy option features cutouts to allow surface-mounted conduit to pass through luminaire

### CERTIFICATIONS

- cULus certified to UL 1598 for damp locations
- Do not install in environments where ambient temperature exceeds 25°C

### WARRANTY

- 5 year warranty

KEY DATA	
Lumen Range	440 - 680
SCDM	2
Rated life	L70 @ >55,000 Hours
Efficacy	85 LPW @ 90 CRI 3000K

# NOC-1.5S

NONI 1.5" SQUARE CYLINDER FAMILY

## ORDERING GUIDE

Examples: NOC-1.5SDL-CHNCSCMBL-SO50930K-DM1NU-GT-FRS/NOC-1.5SDL-TRM-RPP-FRS

CATALOG #

### HOUSING

NOC-1.5S		CHN			Optic Type	
Series/Category/Size/Shape	Function	Housing	Canopy	Mounting		
NOC-1.5S Noni Cylinder Family 1.5" Square	DL Downlight	CHN Cylinder Housing	CS Canopy - Standard CC Canopy - Conduit	CMBL Cable/Cord 6ft Black Cord <sup>2</sup>	Ultra-Smooth Optic SO50 50° Wall Wash Optic LWLW Lensed Wall Wash <sup>3</sup>	
	LW Lensed Wall Wash			CMWH Cable/Cord 6ft White Cord <sup>2</sup>		
		CM15BL Cable/Cord 15ft Black Cord				
		CM15WH Cable/Cord 15ft White Cord				
		PR Stem - Rigid (Standard) Nominal 18" length from cylinder top to ceiling <sup>1</sup>				
		PR_ Stem - Rigid (Custom) Specify length from cylinder top to ceiling in 1 inch increments from 15" to 60" <sup>1</sup>				
		P Stem - Swivel (Standard) Nominal 18" length from cylinder top to ceiling <sup>1</sup>				
		P_ Stem - Swivel (Custom) Specify length from cylinder top to ceiling in 1 inch increments from 15" to 60" <sup>1</sup>				
		SU Surface				

CRI/CCT	DM1 Driver Options	Control Options	U Voltage	Cylinder Housing Color	Lens
927K 90 CRI, 2700K	DM1 0-10V, ELV, TRIAC 1%	N None	U Universal Voltage 120-277V	<b>Texture</b>	FRS Frosted <sup>4</sup>
930K 90 CRI, 3000K				WH White	
935K 90 CRI, 3500K				GY Gray	
940K 90 CRI, 4000K				BL Black	
830K 80 CRI, 3000K				GT Graphite	
835K 80 CRI, 3500K				PP Pink Panache	
	GH Grasshopper				
	<b>Smooth</b>				
	WHS White				
	GYS Gray				
	BLS Black				
	COS Copper				
	AMW Anti-Microbial White				
	<b>Other</b>				
	X Custom Finish				

### TRIM

NOC-1.5S		TRM	Reflector Insert Color	Reflector Accessory
Series/Category/Size/Shape	Function	Housing		
NOC-1.5S Noni Cylinder Family 1.5" Square	DL Downlight	TRM Trim	<b>Texture</b>	FRS Frosted <sup>5</sup>
	LW Lensed Wall Wash		RWH White	
	RGY Gray			
	RBL Black			
	RGT Graphite			
	RPP Pink Panache			
	RGH Grasshopper			
	<b>Smooth</b>			
	RWHS White			
	RGYS Gray			
	RBLS Black			
	RCOS Copper			
	RAMW Anti-Microbial White			
	<b>Other</b>			
	RX Custom Finish			

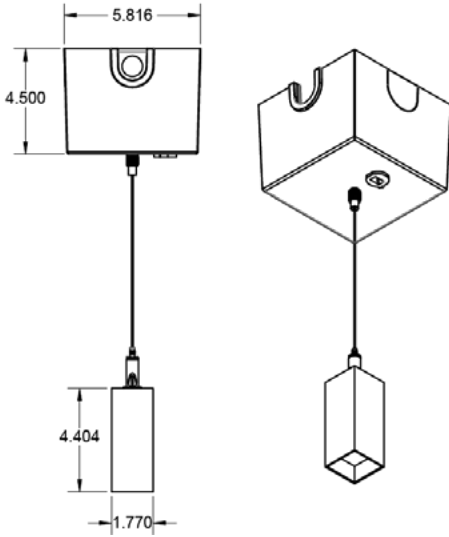
- Notes:
- 1 Stem length varies by canopy configuration. See Dimensions section for details
  - 2 Cable/Cord can be cut in the field to custom length
  - 3 Available only when "LW" function selected
  - 4 For DL only
  - 5 For LW only

# NOC-1.5S

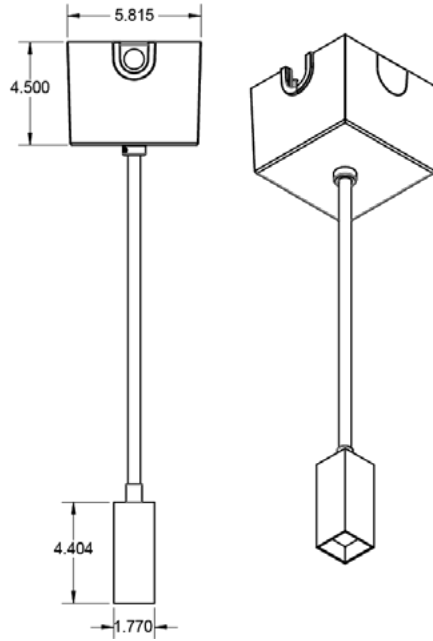
NONI 1.5" SQUARE CYLINDER FAMILY

## DIMENSIONS

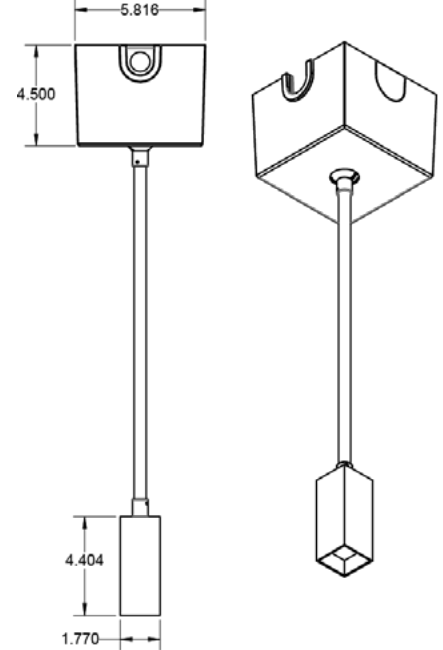
**Cable/Cord Mount  
Conduit Canopy**



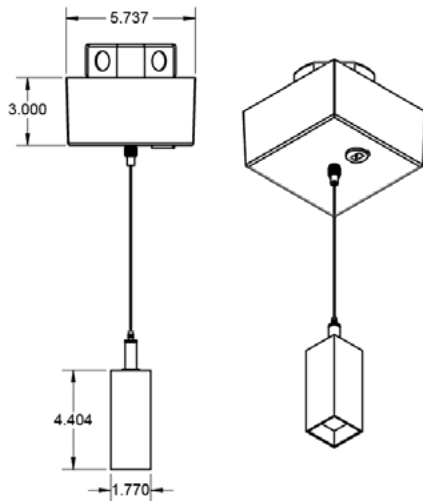
**Stem - Rigid Mount  
Conduit Canopy**



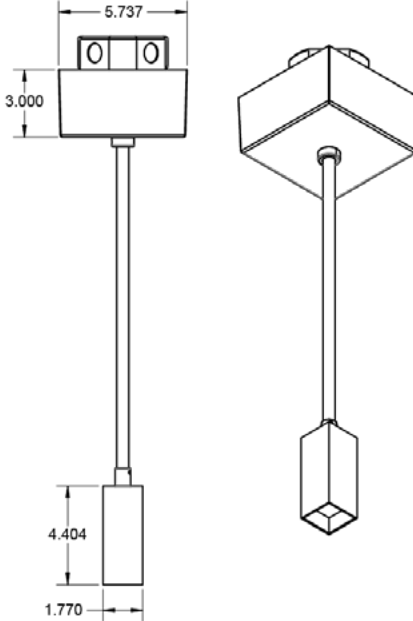
**Stem - Swivel Mount  
Conduit Canopy**



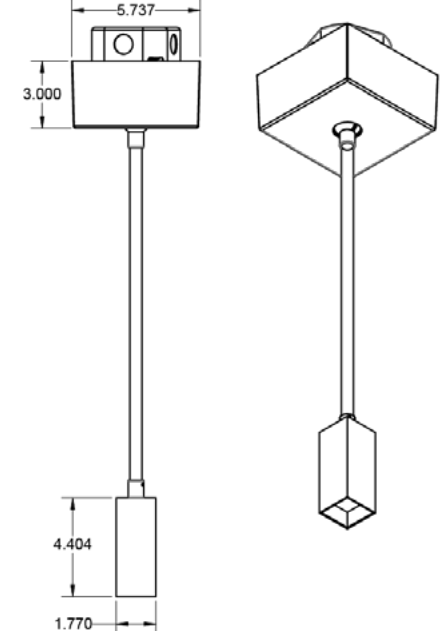
**Cable/Cord Mount  
Standard Canopy**



**Stem - Rigid Mount  
Standard Canopy**



**Stem - Swivel Mount  
Standard Canopy**

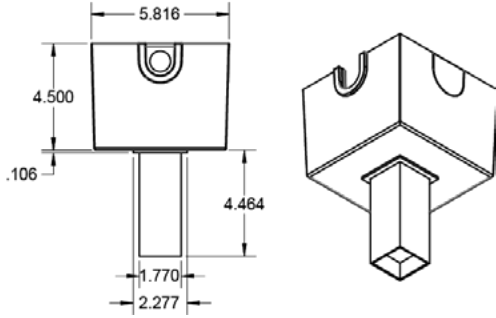


# NOC-1.5S

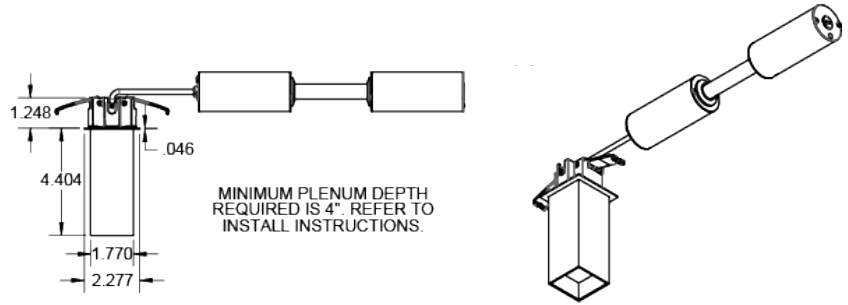
NONI 1.5" SQUARE CYLINDER FAMILY

## DIMENSIONS (CONTINUED)

**Surface Mount  
Conduit Canopy**



**Surface Mount  
Standard Canopy**



# NOC-1.5S

NONI 1.5" SQUARE CYLINDER FAMILY

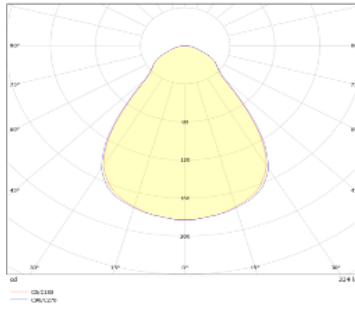
## PHOTOMETRY

### NOC-1.5SDL-CHN-SO50835-DM1NUFWHSFRS - NOC-1.5SDL-TRM-RWHS

#### LUMINAIRE DATA

Test No.	Scaled from 22.00464
Description	Noni 1.5" square cylinder. 80 CRI, 35K. Ultra-Smooth Optic. White Reflector, Frosted Lens.
Delivered Lumens	334
Watts	8
Efficacy	44
Mounting	Surface
Spacing Criterion	1.18
Beam Angle	78

#### POLAR GRAPH



#### CANDELA DISTRIBUTION

Degree	Candela
0	183
5	182
15	175
25	160
35	119
45	50
55	34
65	20
75	9
85	2
90	0

#### LUMINANCE DATA\*

Vertical Angle	Average
45°	48350
55°	40640
65°	33095
75°	24018
85°	17831

\*Candela/Square Meter

#### ZONAL LUMEN SUMMARY

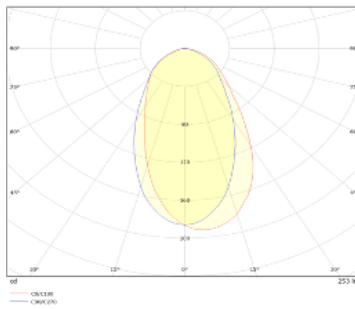
Zone	Lumens	% Luminaire
0-40	221	66
0-60	301	90
0-90	334	100
0-180	334	100

### NOR-1.5SLW-RHI-LWLW835-DM1NUFWHS - NOR-1.5SLW-TRM-RRWHSFRS

#### LUMINAIRE DATA

Test No.	Scaled from 22.00555
Description	Noni 1.5" square cylinder wall washer. 80 CRI, 35K. White Reflector
Delivered Lumens	253
Watts	8
Efficacy	33
Mounting	Surface

#### POLAR GRAPH



#### CANDELA DISTRIBUTION

Degree	Candela
0	186
5	192
15	181
25	145
35	91
45	55
55	37
65	24
75	11
85	1
90	0

#### LUMINANCE DATA\*

Vertical Angle	Average
45°	45879
55°	38091
65°	32899
75°	5581
85°	7597

\*Candela/Square Meter

#### ZONAL LUMEN SUMMARY

Zone	Lumens	% Luminaire
0-40	157	62
0-60	225	89
0-90	253	100
0-180	253	100

# NOC-1.5S

NONI 1.5" SQUARE CYLINDER FAMILY

## ELECTRICAL DATA

	DM1
Dimming Protocols Supported	0-10V, ELV, TRIAC
Input Voltage	120-277V
Input Frequency	50/60 Hz
Dim Level	2%
Power Factor (PF)	≥0.90
Total Harmonic Distortion (THD)	<20%
Inrush Current	NEMA 410 Limit
Electromagnetic Interference (EMI) Filtering	FCC CFR Title 47 Part 15 Class B
Transient Surge Protection	IEEE C62.41.1-2002 & C62.41.2-2002 Category A
Output Power	8W - Standard CCT

## ADDITIONAL INFORMATION

### Central Inverters

For full lumen output in back-up mode, we recommend you visit [www.dual-lite.com](http://www.dual-lite.com) for your Central Lighting Inverter options. Please contact your local Current representative for any assistance with proper sizing and loading of your inverter selection. Central lighting inverters must be ordered separately.