

LBSE-RD-RM

EDGE-LIT ROUND FIXED CCT DOWNLIGHT
W/ REMOTE J-BOX



FEATURES

- 4", 6", and 8" aperture, delivering 750-1750 lumens
- Low surface profile of 1/2"
- Remote Driver J-Box included
- Quick snap installation with no housing required
- Fixed CCT (3000K or 3500K, 80+ CRI) options
- Universal 120-277V, ideal for commercial applications
- All models standard with 0-10V/Triac/ELV dimming



SERVICE PROGRAMS



SPECIFICATIONS

CONSTRUCTION

- Durable cast aluminum low profile trim with 1/2" surface profile
- Suitable for IC or Non-IC remodel or new construction (install from below)
- Can be installed in areas with as little as 3.5" ceiling plenum space
- Metal remote driver J-Box eliminates the need for existing J-Box or recessed housing
- Plenum rated cables with quick connects from LED trim to remote J-Box; optional extension cables allow longer distances
- Optional non-conductive Decorative Color Trim accessories available in White, Black, Silver, and Brushed Oil Rubbed Bronze
- EM Battery Pack accessory with integral test switch/indicator can be field installed to provide 90 minutes of emergency power
- Unobtrusive EM ring adds only 1/16" to overall profile height; blends seamlessly with nearby standard fixtures

OPTICAL

- Utilizes the latest Edge-Lit LED technology
- Integral diffuse polycarbonate lens provides uniform light distribution
- Light distribution is free of distracting bright spots
- Visually comfortable with low glare

ELECTRICAL

- Edge-Lit LED array with 3 SDCM color consistency
- Long LED life: Maintains 80% of lumen output at 54,000 hours of operation, L80 at >54,000 hours (TM-21)
- Available in Fixed CCT in 3000K or 3500K, 80+ CRI
- High efficiency integral driver with universal 120V-277V, 50/60Hz
- All models have flicker-free dimming with 120-277V 0-10V Dim to Off or 120V Triac or ELV phase cut to 5%
- See Additional Information section for a list of recommended dimmers
- EMI: Meets Class A (<24dba) noise rating, FCC CFR 47 Part 15 Class B, ≥0.9 Power Factor, <20% THD

INSTALLATION

- Easily installs into a 3.5" hole saw cutout
- Adjustable mounting wings on remodel sleeve accommodates 3/8" to 1" ceiling thickness
- Remote driver J-Box includes 7/8" conduit knockouts and keyholes with pryouts to mechanically attach to structure
- Trim mounts to remodel sleeve with quick snap retention clips for a secure fit

CERTIFICATIONS

- cETLus listed to UL 1598
- Can be used in direct contact with insulation (IC Rated)
- Suitable for wet locations, covered ceiling
- Certified Air Tight per ASTM E283
- Suitable for use in clothes closets when installed in accordance to N.E.C. 410.16
- EM Accessory: ETL Listed to UL 924 (for use with LiteBox® Edge-lit Remote Mount models only)

WARRANTY

- 5 year warranty

KEY DATA	
Lumen Range	783-1973
Wattage Range	10.4-20.0
Efficacy Range (LPW)	75-99
Reported Life (Hours)	L80 / >54,000
Input Current (mA)	88-164 (120V)

LBSE-RD-RM

EDGE-LIT ROUND FIXED CCT DOWNLIGHT
W/ REMOTE J-BOX



ORDERING GUIDE

Example: LBSE-4RD-RM-35K8-WH

CATALOG #

HOUSING

LBSE	Aperture/Shape/Function	RM	CCT/CRI
Model/CCT Configuration		Mounting	
LBSE Edge-Lit Surface, Fixed CCT, 120-277V with 0-10V/Triac/ELV dimming	4RD 4" Round, 750 Lumens 6RD 6" Round, 1100 Lumens 8RD 8" Round, 1750 Lumens	RM Remote Driver J-Box	30K8 3000K, 80+ CRI 35K8 3500K, 80+ CRI

Accessories: (Order separately)

- LBSE-4RD-T-WH** Trim Accessory, 4" Round, White
- LBSE-4RD-T-BL** Trim Accessory, 4" Round, Black
- LBSE-4RD-T-BBZ** Trim Accessory, 4" Round, Brushed Oil Rubbed Bronze
- LBSE-4RD-T-SVR** Trim Accessory, 4" Round, Silver

- LBSE-6RD-T-WH** Trim Accessory, 6" Round, White
- LBSE-6RD-T-BL** Trim Accessory, 6" Round, Black
- LBSE-6RD-T-BBZ** Trim Accessory, 6" Round, Brushed Oil Rubbed Bronze
- LBSE-6RD-T-SVR** Trim Accessory, 6" Round, Silver

- LBSE-8RD-T-WH** Trim Accessory, 8" Round, White
- LBSE-8RD-T-BL** Trim Accessory, 8" Round, Black
- LBSE-8RD-T-BBZ** Trim Accessory, 8" Round, Brushed Oil Rubbed Bronze
- LBSE-8RD-T-SVR** Trim Accessory, 8" Round, Silver

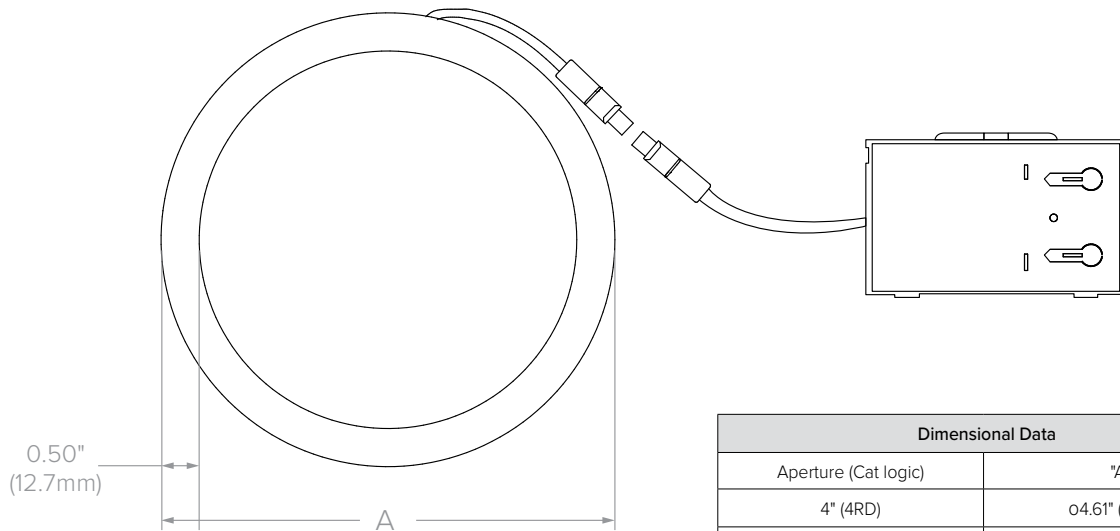
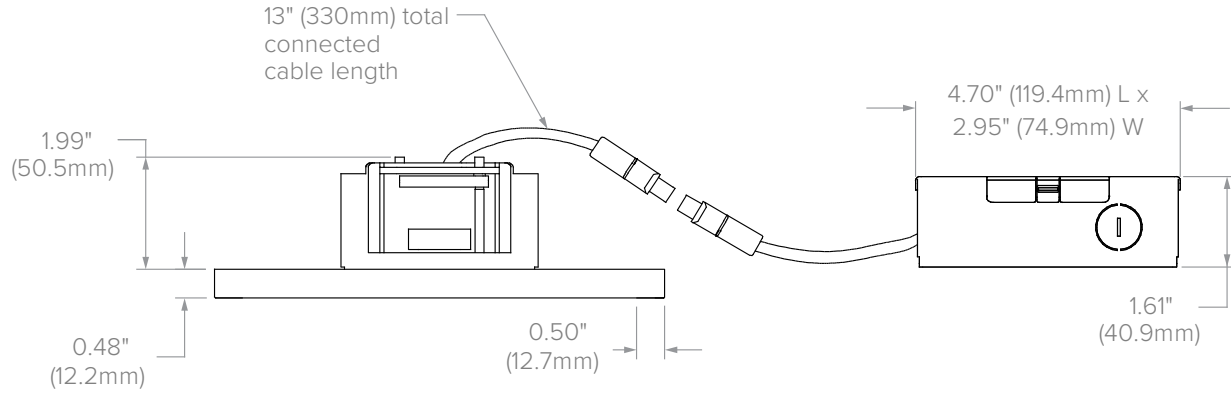
- LBSES-C-12** Extension Cable, LBSE/LBSES, 12"
- LBSES-C-24** Extension Cable, LBSE/LBSES, 24"

- LBSE-4RD-EM-WH** EM Accessory, 4" Round, White
- LBSE-4RD-EM-BL** EM Accessory, 4" Round, Black
- LBSE-6RD-EM-WH** EM Accessory, 6" Round, White
- LBSE-6RD-EM-BL** EM Accessory, 6" Round, Black
- LBSE-8RD-EM-WH** EM Accessory, 8" Round, White
- LBSE-8RD-EM-BL** EM Accessory, 8" Round, Black
- LBSE-C-24-EM** Extension Cable, EM, 24"

LBSE-RD-RM

EDGE-LIT ROUND FIXED CCT DOWNLIGHT
W/ REMOTE J-BOX

DIMENSIONS



Dimensional Data	
Aperture (Cat logic)	"A"
4" (4RD)	ø4.61" (117.1mm)
6" (6RD)	ø6.00" (152.4mm)
8" (8RD)	ø8.00" (203.2mm)

Dimensional Data	
Ceiling Cutout	ø3.50" (88.9mm)
Ceiling Thickness	.38" to 1.00" (9.7mm to 25.4mm)

Recommended minimum plenum clearance: 3.50" (88.9mm)

LBSE-RD-RM

EDGE-LIT ROUND FIXED CCT DOWNLIGHT
W/ REMOTE J-BOX

DATE: _____ LOCATION: _____

TYPE: _____ PROJECT: _____

CATALOG #: _____

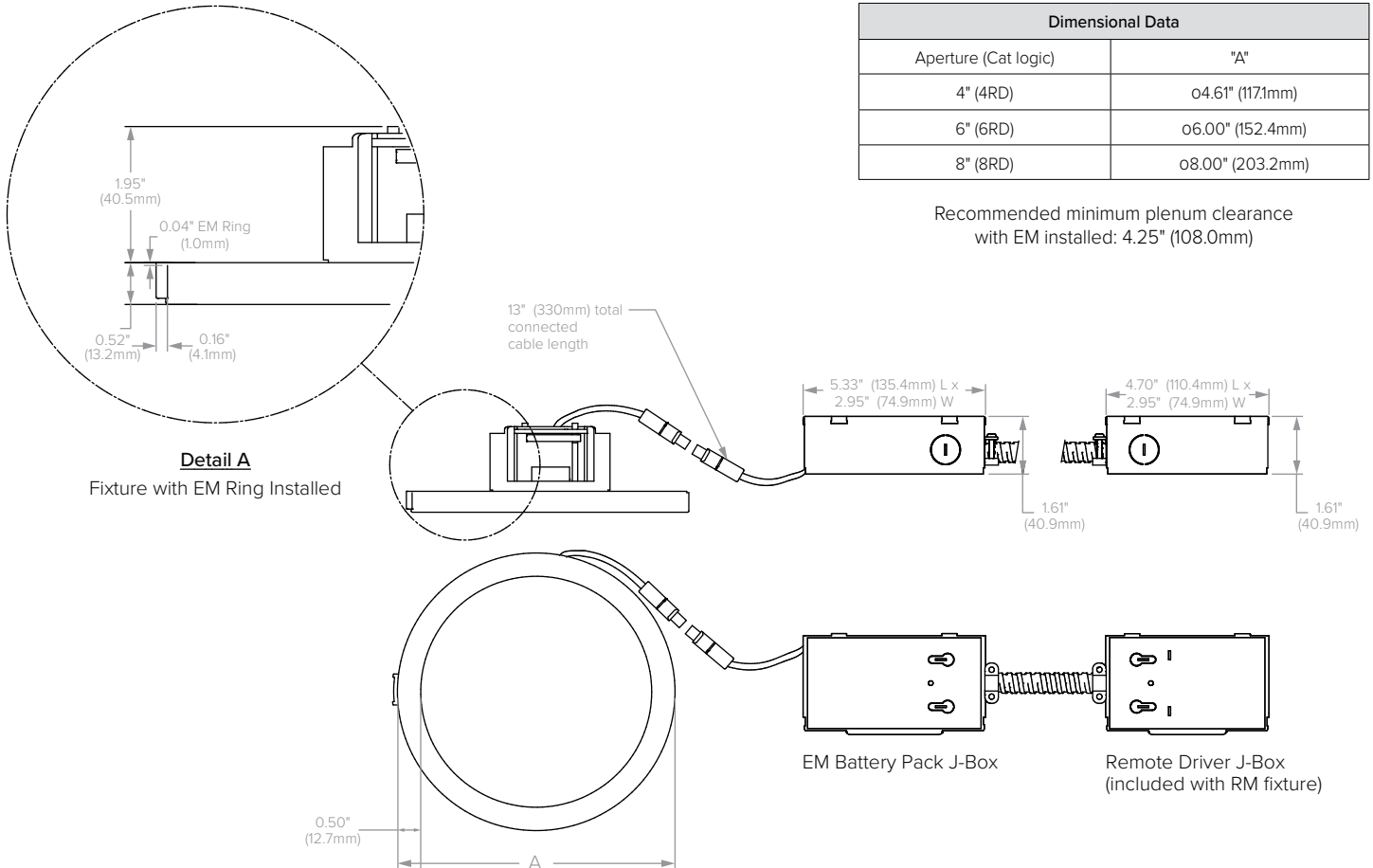
DIMENSIONS (CONTINUED)

WITH EM ACCESSORY (FIELD INSTALLED)

Includes Remote EM Battery Pack and EM Trim
Ring with integral test switch/indicator light

Dimensional Data	
Aperture (Cat logic)	"A"
4" (4RD)	ø4.61" (117.1mm)
6" (6RD)	ø6.00" (152.4mm)
8" (8RD)	ø8.00" (203.2mm)

Recommended minimum plenum clearance
with EM installed: 4.25" (108.0mm)



Detail View
EM Integral Test Switch
with Indicator Light

LBSE-RD-RM

EDGE-LIT ROUND FIXED CCT DOWNLIGHT
W/ REMOTE J-BOX

PERFORMANCE DATA TABLE

Nominal Aperture	Nominal Lumens	Cat #	CCT	CRI	Delivered Lumens	Watts	LPW
4"	750	LBSE-4RD-30K8-RM-WH	3000K	80	783	10.4	75
		LBSE-4RD-35K8-RM-WH	3500K		846	10.4	81
6"	1100	LBSE-6RD-30K8-RM-WH	3000K	80	1144	12.9	89
		LBSE-6RD-35K8-RM-WH	3500K		1237	12.9	96
8"	1750	LBSE-8RD-30K8-RM-WH	3000K	80	1825	20.0	91
		LBSE-8RD-35K8-RM-WH	3500K		1973	20.0	99

LBSE-RD-RM

EDGE-LIT ROUND FIXED CCT DOWNLIGHT
W/ REMOTE J-BOX

PHOTOMETRY

LBSE-4RD-30K8-RM-WH

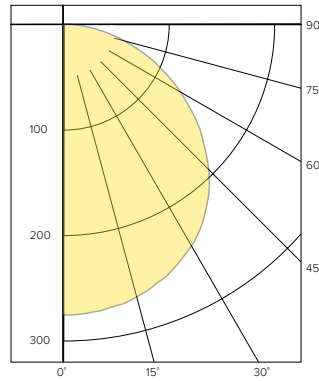
LUMINAIRE DATA

Test No.	R20.00827-C01
Description	4" Downlight, 3000K, 80 CRI
Delivered Lumens	783
Watts	10.4W
Efficacy	75.0
Mounting	Surface
Spacing Criterion	1.3

ZONAL LUMEN SUMMARY

Zone	Lumens	% Luminaire
0-40	342	43.6
0-60	611	78.0
0-90	783	100.0
0-180	783	100.0

POLAR GRAPH



CANDELA DISTRIBUTION

Degree	Candela
0	260
5	259
15	253
25	239
35	217
45	184
55	142
65	98
75	55
85	15
90	0

LUMINANCE DATA*

Vertical Angle	Average
45°	48544
55°	46342
65°	43318
75°	39448
85°	32315

*Candela/Square Meter

LBSE-6RD-30K8-RM-WH

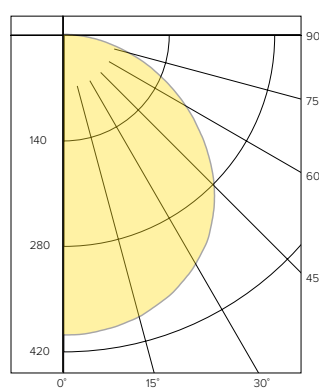
LUMINAIRE DATA

Test No.	R20.00832-C01
Description	6" Downlight, 3000K, 80 CRI
Delivered Lumens	1144
Watts	12.9W
Efficacy	89
Mounting	Surface
Spacing Criterion	1.3

ZONAL LUMEN SUMMARY

Zone	Lumens	% Luminaire
0-40	499	43.6
0-60	891	77.9
0-90	1144	100.0
0-180	1144	100.0

POLAR GRAPH



CANDELA DISTRIBUTION

Degree	Candela
0	380
5	379
15	369
25	348
35	317
45	268
55	207
65	144
75	80
85	23
90	0

LUMINANCE DATA*

Vertical Angle	Average
45°	23513
55°	22408
65°	21066
75°	19135
85°	16235

*Candela/Square Meter

LBSE-8RD-30K8-RM-WH

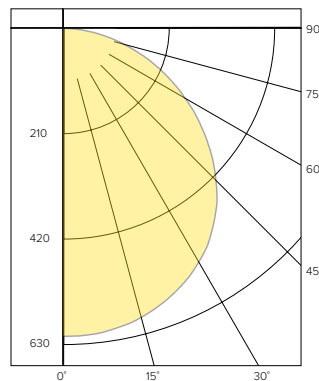
LUMINAIRE DATA

Test No.	R20.00834-C01
Description	8" Downlight, 3000K, 80 CRI
Delivered Lumens	1826
Watts	20W
Efficacy	92
Mounting	Surface
Spacing Criterion	1.3

ZONAL LUMEN SUMMARY

Zone	Lumens	% Luminaire
0-40	798	43.7
0-60	1422	77.9
0-90	1826	100.0
0-180	1826	100.0

POLAR GRAPH



CANDELA DISTRIBUTION

Degree	Candela
0	608
5	607
15	592
25	558
35	505
45	427
55	331
65	228
75	127
85	38
90	0

LUMINANCE DATA*

Vertical Angle	Average
45°	24287
55°	23187
65°	21736
75°	19752
85°	17413

*Candela/Square Meter

LBSE-RD-RM

EDGE-LIT ROUND FIXED CCT DOWNLIGHT
W/ REMOTE J-BOX

ADDITIONAL INFORMATION

Dimming Compatibility

For more details and recommended dimmer list, see Dimming Compatibility Information at www.currentlighting.com/prescolite.

EM Accessory

For more information, refer to the LiteBox Edge-Lit EM Accessory Installation Manual.

9 ft. Maximum mounting height for all aperture sizes per UL 924.

Maximum EM Extension cable length: 24"