

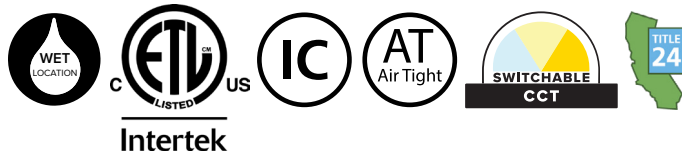
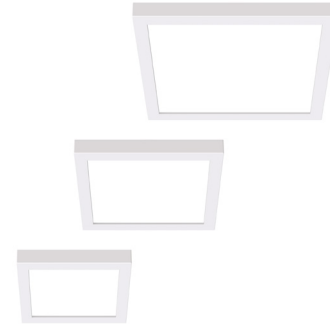
LBSSES-SQD-RM

EDGE-LIT SQUARE SWITCHABLE CCT
DOWNLIGHT W/ REMOTE J-BOX



FEATURES

- 4", 6", and 8" aperture, delivering 750-1750 lumens
- Low surface profile of 1/2"
- Remote Driver J-Box included
- Quick snap installation with no housing required
- CCT Switchable (2700K/3000K/3500K/4000K, 90+ CRI)
- Universal 120-277V, ideal for commercial applications
- All models standard with 0-10V/Triac/ELV dimming



SERVICE PROGRAMS



SPECIFICATIONS

CONSTRUCTION

- Durable cast aluminum low profile trim with 1/2" surface profile
- Suitable for IC or Non-IC remodel or new construction (install from below)
- Can be installed in areas with as little as 3.5" ceiling plenum space
- Metal remote driver J-Box eliminates the need for existing J-Box or recessed housing
- Plenum rated cables with quick connects from LED trim to remote J-Box; optional extension cables allow longer distances
- Optional non-conductive Decorative Color Trim accessories available in White, Black, Silver, and Brushed Oil Rubbed Bronze
- EM Battery Pack accessory with integral test switch/indicator can be field installed to provide 90 minutes of emergency power
- Unobtrusive EM ring adds only 1/16" to overall profile height; blends seamlessly with nearby standard fixtures

OPTICS

- Utilizes the latest Edge-Lit LED technology
- Integral diffuse polycarbonate lens provides uniform light distribution
- Light distribution is free of distracting bright spots
- Visually comfortable with low glare

ELECTRICAL

- Edge-Lit LED array with 3 SDCM color consistency
- Long LED life: Maintains 80% of lumen output at 54,000 hours of operation, L80 at >54,000 hours (TM-21)
- CCT Switchable (2700K/3000K/3500K/4000K)
- 90+ CRI with R9 >50
- High efficiency integral driver with universal 120V-277V, 50/60Hz
- All models have flicker-free dimming with 120-277V 0-10V Dim to Off or 120V Triac or ELV phase cut to 5%
- See Additional Information section for a list of recommended dimmers
- EMI: Meets Class A (<24dba) noise rating, FCC CFR 47 Part 15 Class B, ≥0.9 Power Factor, <20% THD

INSTALLATION

- Easily installs into a 3.5" hole saw cutout
- Adjustable mounting wings on remodel sleeve accommodates 3/8" to 1" ceiling thickness
- Remote driver J-Box includes 7/8" conduit knockouts and keyholes with pryouts to mechanically attach to structure
- Trim mounts to remodel sleeve with quick snap retention clips for a secure fit
- CCT Switchable: Field select one of four CCTs at installation with an integral switch accessible on the remote J-Box

CERTIFICATIONS

- cETLus listed to UL 1598
- Can be used in direct contact with insulation (IC Rated)
- Suitable for wet locations, covered ceiling
- Certified Air Tight per ASTM E283
- Suitable for use in clothes closets when installed in accordance to N.E.C. 410.16
- Meets CA Title 24 High Efficacy (JA8 2019) requirements
- EM Accessory: ETL Listed to UL 924 (for use with LiteBox® Edge-lit Remote Mount models only)

WARRANTY

- 5 year warranty

KEY DATA	
Lumen Range	757-1770
Wattage Range	10.0-20.0
Efficacy Range (LPW)	76-89
Reported Life (Hours)	L80 / >54,000
Input Current (mA)	88-164 (120V)

LBSES-SQD-RM

EDGE-LIT SQUARE SWITCHABLE CCT
DOWNLIGHT W/ REMOTE J-BOX



ORDERING GUIDE

Example: LBSES-4RD-RM-CS9-WH

CATALOG #

HOUSING

LBSES		RM	CS9	WH
Model/CCT Configuration	Aperture/Shape/Function	Mounting	CCT/CRI	Trim Color
LBSES Edge-Lit Surface, Switchable CCT, 120-277V with 0-10V/Triac/ELV dimming	4SQD 4" Square, 750 Lumens 6SQD 6" Square, 1100 Lumens 8SQD 8" Square, 1750 Lumens	RM Remote Driver J-Box	CS9 Switchable CCT, 90+ CRI 2700K/3000K/3500K/4000K	WH White

Accessories: (Order separately)

- LBSE-4SQD-T-WH** Trim Accessory, 4" Square, White
- LBSE-4SQD-T-BL** Trim Accessory, 4" Square, Black
- LBSE-4SQD-T-BBZ** Trim Accessory, 4" Square, Brushed Oil Rubbed Bronze
- LBSE-4SQD-T-SVR** Trim Accessory, 4" Square, Silver

- LBSE-6SQD-T-WH** Trim Accessory, 6" Square, White
- LBSE-6SQD-T-BL** Trim Accessory, 6" Square, Black
- LBSE-6SQD-T-BBZ** Trim Accessory, 6" Square, Brushed Oil Rubbed Bronze
- LBSE-6SQD-T-SVR** Trim Accessory, 6" Square, Silver

- LBSE-8SQD-T-WH** Trim Accessory, 8" Square, White
- LBSE-8SQD-T-BL** Trim Accessory, 8" Square, Black
- LBSE-8SQD-T-BBZ** Trim Accessory, 8" Square, Brushed Oil Rubbed Bronze
- LBSE-8SQD-T-SVR** Trim Accessory, 8" Square, Silver

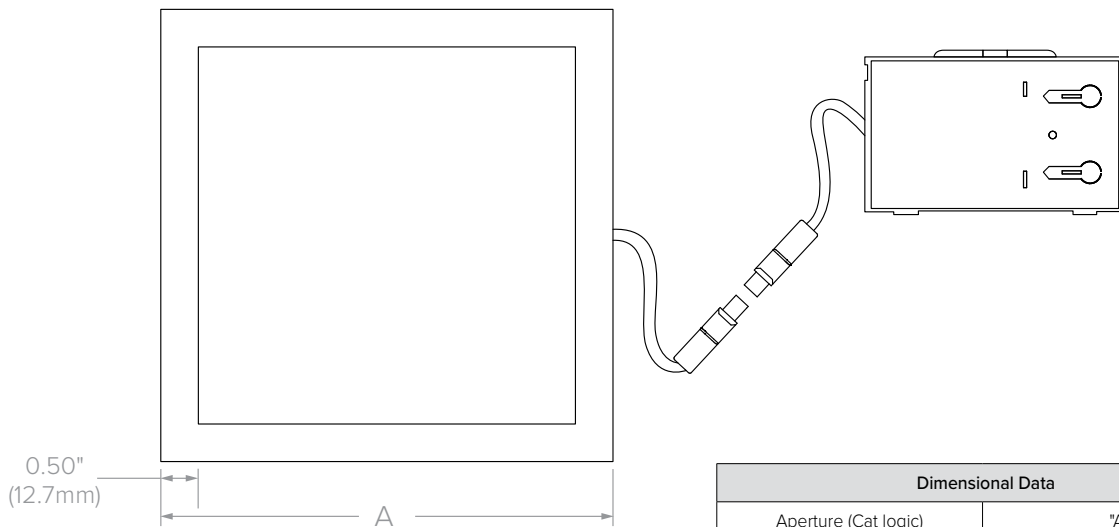
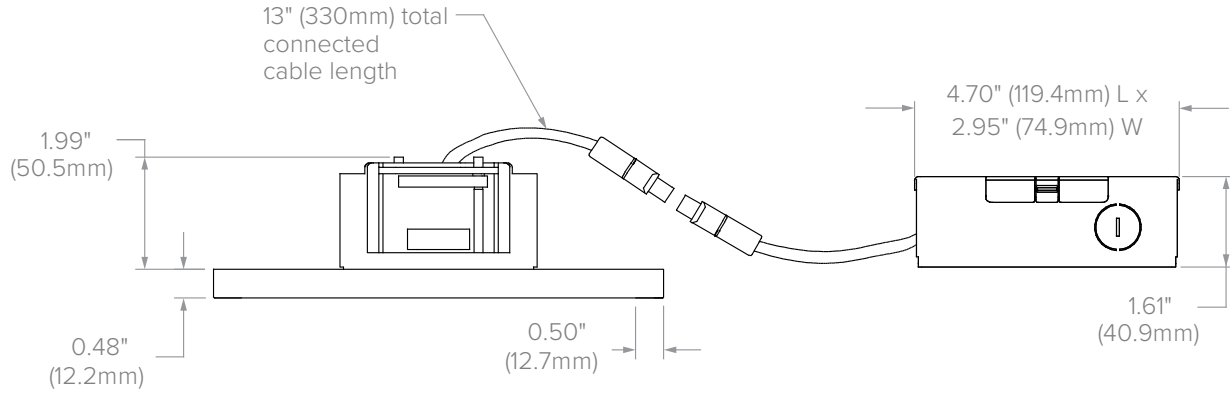
- LBSES-C-12** Extension Cable, LBSE/LBSES, 12"
- LBSES-C-24** Extension Cable, LBSE/LBSES, 24"

- LBSE-4SQD-EM-WH** EM Accessory, 4" Square, White
- LBSE-4SQD-EM-BL** EM Accessory, 4" Square, Black
- LBSE-6SQD-EM-WH** EM Accessory, 6" Square, White
- LBSE-6SQD-EM-BL** EM Accessory, 6" Square, Black
- LBSE-8SQD-EM-WH** EM Accessory, 8" Square, White
- LBSE-8SQD-EM-BL** EM Accessory, 8" Square, Black
- LBSE-C-24-EM** Extension Cable, EM, 24"

LBSSES-SQD-RM

EDGE-LIT SQUARE SWITCHABLE CCT
DOWNLIGHT W/ REMOTE J-BOX

DIMENSIONS



Dimensional Data	
Aperture (Cat logic)	"A"
4" (4SQD)	4.61" SQ (117.1mm)
6" (6SQD)	6.00" SQ (152.4mm)
8" (8SQD)	8.00" SQ (203.2mm)

Dimensional Data	
Ceiling Cutout	ø3.50" (88.9mm)
Ceiling Thickness	.38" to 1.00" (9.7mm to 25.4mm)

Recommended minimum plenum clearance: 3.50" (88.9mm)

LBSES-SQD-RM

EDGE-LIT SQUARE SWITCHABLE CCT
DOWNLIGHT W/ REMOTE J-BOX

DATE: _____ LOCATION: _____

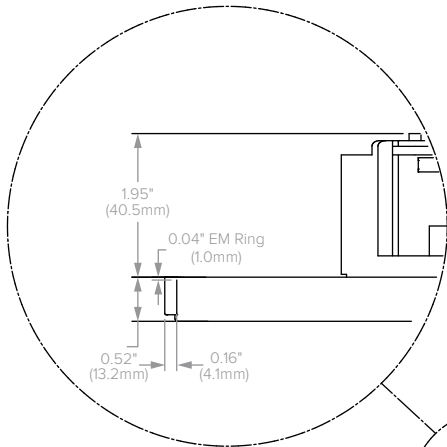
TYPE: _____ PROJECT: _____

CATALOG #: _____

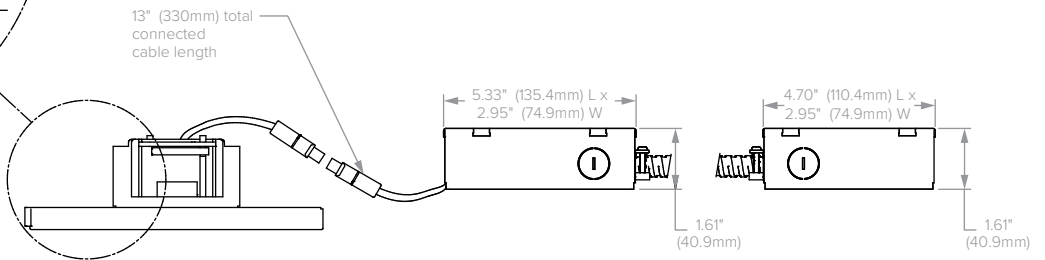
DIMENSIONS (CONTINUED)

WITH EM ACCESSORY (FIELD INSTALLED)

Includes Remote EM Battery Pack and EM Trim
Ring with integral test switch/indicator light

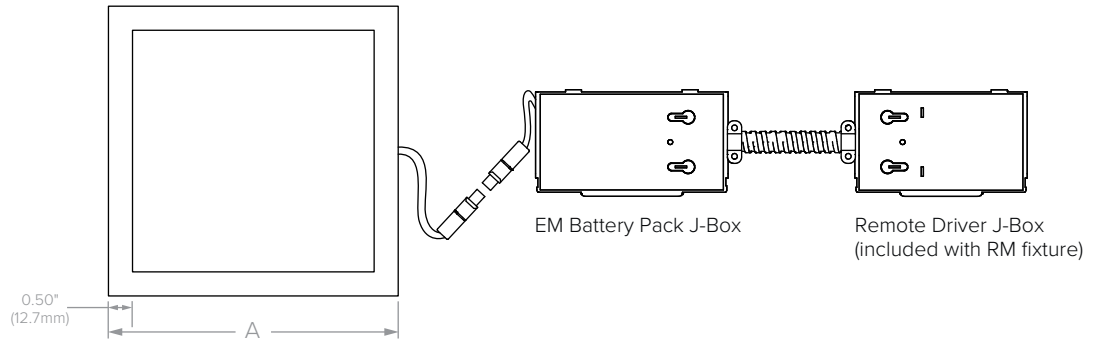


Detail A
Fixture with EM Ring Installed



Dimensional Data	
Aperture (Cat logic)	"A"
4" (4SQD)	4.61" SQ (117.1mm)
6" (6SQD)	6.00" SQ (152.4mm)
8" (8SQD)	8.00" SQ (203.2mm)

Recommended minimum plenum clearance
with EM installed: 4.25" (108.0mm)



Detail View
EM Integral Test Switch
with Indicator Light

LBSSES-SQD-RM

EDGE-LIT SQUARE SWITCHABLE CCT
DOWNLIGHT W/ REMOTE J-BOX

PERFORMANCE DATA TABLE

Nominal Aperture	Nominal Lumens	Cat #	CCT**	CRI	Delivered Lumens	Watts	LPW
4"	750	LBSSES-4SQD-CS9-RM-WH	3000K	90	757	10.0	76
6"	1100	LBSSES-6SQD-CS9-RM-WH	3000K	90	1076	13.0	83
8"	1750	LBSSES-8SQD-CS9-RM-WH	3000K	90	1770	20.0	89

** For all other CCTs, use the Lumen Multiplier in Photometry Section

LBSSES-SQD-RM

EDGE-LIT SQUARE SWITCHABLE CCT
DOWNLIGHT W/ REMOTE J-BOX

PHOTOMETRY

LBSSES-4SQD-CS9-RM-WH

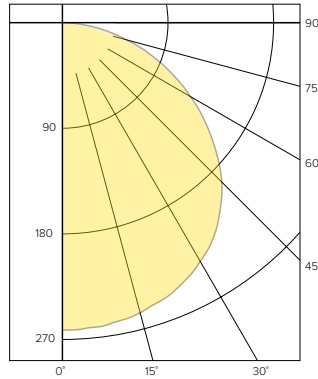
LUMINAIRE DATA

Test No.	R20.00829-C01
Description	4" Downlight, Switchable CCT @3000K, 90 CRI
Delivered Lumens	758
Watts	10.0W
Efficacy	76
Mounting	Surface
Spacing Criterion	1.3

ZONAL LUMEN SUMMARY

Zone	Lumens	% Luminaire
0-40	328	43.2
0-60	590	77.9
0-90	758	100.0
0-180	758	100.0

POLAR GRAPH



CANDELA DISTRIBUTION

Degree	Candela
0	245
5	244
15	239
25	229
35	210
45	179
55	139
65	96
75	53
85	14
90	0

LUMINANCE DATA*

Vertical Angle	Average
45°	27823
55°	26698
65°	24912
75°	22599
85°	18303

*Candela/Square Meter

LBSSES-6SQD-CS9-RM-WH

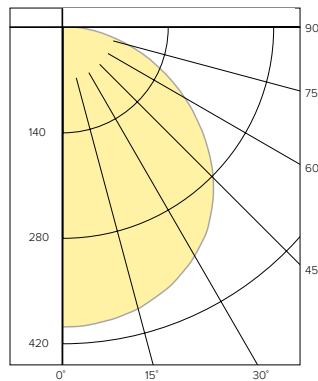
LUMINAIRE DATA

Test No.	R20.00835-C01
Description	6" Downlight, Switchable CCT @3000K, 90 CRI
Delivered Lumens	1077
Watts	13.0W
Efficacy	83
Mounting	Surface
Spacing Criterion	1.3

ZONAL LUMEN SUMMARY

Zone	Lumens	% Luminaire
0-40	465	43.2
0-60	838	77.8
0-90	1077	100.0
0-180	1077	100.0

POLAR GRAPH



CANDELA DISTRIBUTION

Degree	Candela
0	350
5	349
15	341
25	325
35	297
45	254
55	198
65	136
75	76
85	21
90	0

LUMINANCE DATA*

Vertical Angle	Average
45°	22267
55°	21350
65°	19984
75°	18180
85°	15228

*Candela/Square Meter

LBSSES-8SQD-CS9-RM-WH

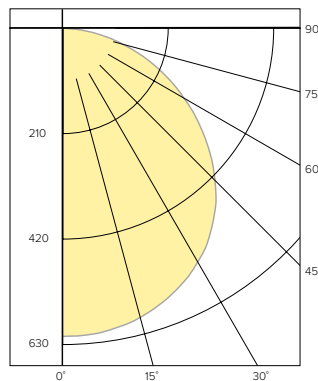
LUMINAIRE DATA

Test No.	R20.00837-C01
Description	8" Downlight, Switchable CCT @3000K, 90 CRI
Delivered Lumens	1771
Watts	20W
Efficacy	89
Mounting	Surface
Spacing Criterion	1.3

ZONAL LUMEN SUMMARY

Zone	Lumens	% Luminaire
0-40	766	43.3
0-60	1376	77.7
0-90	1771	100.0
0-180	1771	100.0

POLAR GRAPH



CANDELA DISTRIBUTION

Degree	Candela
0	576
5	575
15	563
25	535
35	490
45	416
55	323
65	224
75	124
85	37
90	0

LUMINANCE DATA*

Vertical Angle	Average
45°	18602
55°	17823
65°	16771
75°	15141
85°	13293

*Candela/Square Meter

LBSSES-SQD-RM

EDGE-LIT SQUARE SWITCHABLE CCT
DOWNLIGHT W/ REMOTE J-BOX

ADDITIONAL INFORMATION

Dimming Compatibility

For more details and recommended dimmer list, see Dimming Compatibility Information at www.currentlighting.com/prescolite.

EM Accessory

For more information, refer to the LiteBox Edge-Lit EM Accessory Installation Manual.

9 ft. Maximum mounting height for all aperture sizes per UL 924.

Maximum EM Extension cable length: 24"