

Bend

4" PENDANT OR SURFACE
DIRECT OR INDIRECT/DIRECT

FEATURES

- Variable Intensity technology provides a range of specifiable outputs and resulting fixture wattages
- 1250 lumens max direct; 1500 lumens max indirect.. See performance data table for additional information.



bend



RELATED PRODUCTS

88L-PS-3

88L-R-3

88L-R-4

SPECIFICATIONS

Due to the complexity of this specification, submittal drawings for any configuration are required. Some configurations may require remote mounting drivers.

CONSTRUCTION

- 4.5" x 4.8" profile with 3.5" aperture (nominal).
- Extruded aluminum housing with machined aluminum end headers
- Machined aluminum end caps mechanically attached with no exposed fasteners

OPTICS

- 3 SDCM CCT consistency, 80 CRI.
- White Opal (WOL) diffuse acrylic downlight diffuser
- Optional White Opal (WOL) or Clear (L1) acrylic indirect diffuser

ELECTRICAL

- Variable Intensity (VI) technology allows precise specification of fixture output/wattage. Fixture will be programmed and labeled to specification.
- LED boards and solid state constant current driver are field-servicable.
- LED rated life L85 > 50,000 hours. Tested in accordance to LM79-2008 & rated life derived from EPA TM-21 calculator.
- 1C (1 Circuit) Fixture wired for a single circuit
- 2C (2 Circuit) Uplight and downlight switched/dimmed separately. Two power feeds required.
- 10W battery powered driver. Provides a minimum of 90 minutes of emergency lighting. Available in straight fixtures greater than 3' in length.
- Inverter-Compatible. Provided by others.

INSTALLATION

- Fixture weight: 4 lbs/ft
- Suspension required at every row joint. 3/32" diameter field adjustable cables, ship separately
- Low profile cable gripper limits visibility.
- Non-feed canopy covers 2" diameter (unless 5" non-feed cover specified).
- Surface mount available as direct distribution only.

CERTIFICATIONS

- ETL listed for wet locations
- IBEW
- AF of L

WARRANTY

- LED boards - 5 years
- LED drivers (standard) - 5 years

KEY DATA	
Lumen Range	I: 450 - 1500 D: 350 - 1250
SDCM	3
Rated Life	L85 > 50,000 Hours
Efficacy	82 - 109

Bend

4" PENDANT OR SURFACE
DIRECT OR INDIRECT/DIRECT

ORDERING GUIDE

Example: 88L-P-ID-4-STD-16-08-WOL-C1-35K-I060-D080-D01-2C-UNV-FA1-L1

CATALOG #

88L – Straight Sections								
Series	Mounting	Distribution	Aperture	Uplight Distribution	Row Length (In Feet)	Max Length in Row	Direct Diffuser	
88L Bend	P Pendant S Surface ¹	D Direct ID Indirect/Direct	4 4"	STD Standard	____' Enter in foot increments	02 2', 609mm 03 3', 914mm 04 4', 1219mm 05 5', 1524mm 06 6', 1828mm 08 8', 2438mm	WOL White Opal Diffuse Lens, Lambertian	

Finish/Color	CCT/CRI	Indirect Output/Ft ²	Direct Output/Ft ³	Driver	Circuiting	Voltage
C1 Matte White (Default)	30K 3000K, 80CRI	I045 450 (Min) to	D035 350 (Min) to	D01 1% Dimming, 0-10V	1C 1 Circuit 2C 2 Circuit - Uplight/Downlight	UNV 120-277V
C4 Machined Aluminum	35K 3500K, 80CRI	I150 1500 (Max)	D125 1250 (Max)			
C5 Carbon Black	40K 4000K, 80CRI					
CC Custom Color						

OPTIONAL

Mounting Kit ⁷	Nightlight	Emergency	Thru-Wiring	Uplight Diffuser
FA1 Suspension Kit, 51" FA2 Suspension Kit, 87" FA3 Suspension Kit, 219"	NL Nightlight Circuit Required ⁴	EF 10W Emergency Battery Backup ⁵	W1 No Thru-Wire W2 Provide Normal and NL/EF Thru-Wiring ⁶ W3 Provide Normal Thru-Wiring Only	WOL White Opal Diffuse Lens L1 Clear Acrylic Dust Cover

Notes:
¹ For surface mount, Mounting Kit specification not required.
² Specifiable in 50 lumen increments. Reference the Performance Data Table for full performance offering and exceptions.
³ Specifiable in 50 lumen increments. Reference the Performance Data Table for full performance offering and exceptions.
⁴ Enter Quantity. 2NL= 2 Nightlight circuits per row.
⁵ Enter Quantity. 2EF= 2 Batteries per row. 10W battery powered driver. Provides a minimum of 90 minutes of emergency lighting. Inverter Compatible. Provided by others.
⁶ Only applicable when specified with Emergency/Nightlight
⁷ Add suffix /V to replace all 2" non-feed canopy covers with 5" canopy covers. FA1V = 51" suspension kit w/ 5" canopies; canopies and feed cord are supplied in white regardless of fixture color unless otherwise specified.

DATE: _____ LOCATION: _____

TYPE: _____ PROJECT: _____

CATALOG #: _____

Bend

4" PENDANT OR SURFACE
DIRECT OR INDIRECT/DIRECT
ORDERING GUIDE

Example: 88L-P-ID-4-STD-4A4/90-WOL-C1-35K-I060-D080-D01-2C-UNV-FA1-L1

CATALOG #

88L – Curved sections						
Series	Mounting	Distribution	Aperture	Uplight Distribution	Arc	Direct Diffuser
88L Bend	P Pendant S Surface ¹	D Direct ID Indirect/Direct	4 4"	STD Standard	A2/90 2' Diameter, 90° Arc A2/180 2' Diameter, 180° Arc A4/45 4' Diameter, 45° Arc A4/90 4' Diameter, 90° Arc A4/180 4' Diameter, 180° Arc A6/90 6' Diameter, 90° Arc A8/45 8' Diameter, 45° Arc A8/90 8' Diameter, 90° Arc A12/45 12' Diameter, 45° Arc A16/45 16' Diameter, 45° Arc A20/30 20' Diameter, 30° Arc Enter Quantity. 2A2/180 = 2x 2', 180° Arcs	WOL White Opal Diffuse Lens, Lambertian

Finish/Color	CCT/CRI	Indirect Output/Ft ²	Direct Output/Ft ³	Driver	Circuiting	Voltage
C1 Matte White (Default)	30K 3000K, 80CRI	I045 450 (Min) to	D035 350 (Min) to	D01 1% Dimming, 0-10V	1C 1 Circuit	UNV 120-277V
C4 Machined Aluminum	35K 3500K, 80CRI	I150 1500 (Max)	D125 1250 (Max)		2C 2 Circuit - Uplight/Downlight	
C5 Carbon Black	40K 4000K, 80CRI					
CC Custom Color						

OPTIONAL

Mounting Kit	Nightlight	Thru-Wiring	Uplight Diffuser
FA1 Suspension Kit, 51" FA2 Suspension Kit, 87" FA3 Suspension Kit, 219"	NL Nightlight Circuit Required ⁴	W1 No Thru-Wire W2 Provide Normal and NL/EF Thru-Wiring ⁶ W3 Provide Normal Thru-Wiring Only	WOL White Opal Diffuse Lens L1 Clear Acrylic Dust Cover

Notes:

- ¹ For surface mount, Mounting Kit specification not required.
- ² Specifiable in 50 lumen increments. Reference the Performance Data Table for full performance offering and exceptions.
- ³ Specifiable in 50 lumen increments. Reference the Performance Data Table for full performance offering and exceptions.
- ⁴ Enter Quantity. 2NL= 2 Nightlight circuits per row.
- ⁵ Enter Quantity. 2EF= 2 Batteries per row. 10W battery powered driver. Provides a minimum of 90 minutes of emergency lighting. Inverter Compatible. Provided by others.
- ⁶ Only applicable when specified with Emergency/Nightlight

Bend

4" PENDANT OR SURFACE
DIRECT OR INDIRECT/DIRECT

PERFORMANCE DATA TABLE

Nomenclature	Lumens/Ft	W/Ft	Efficacy
Direct			
D035	350	3.8	92
D040	400	4.3	93
D045	450	4.8	94
D050	500	5.4	93
D055	550	5.9	93
D060	600	6.5	92
D065	650	7.1	92
D070	700	7.7	91
D075	750	8.3	90
D080	800	8.9	90
D085	850	10.1	84
D090	900	10.8	83
D095	950	11.4	83
D100	1000	12.1	83
D105	1050	12.8	82
D110	1100	13.4	82
D115	1150	13.4	86
D120	1200	14.1	85
D125 (MAX)	1250	14.8	84
Indirect			
I045	450	3.8	120
I050	500	4.2	120
I055	550	4.7	118
I060	600	5.1	118
I065	650	5.5	117
I070	700	6.0	117
I075	750	6.4	117
I080	800	6.8	117
I085	850	7.3	117
I090	900	7.8	115
I095	950	8.2	115
I100	1000	8.7	115
I105	1050	9.2	114
I110	1100	9.6	114
I115	1150	10.2	113
I120	1200	10.7	112
I125	1250	11.2	112
I130	1300	11.7	111
I135	1350	12.2	110
I140	1400	12.8	109
I145	1450	13.3	109
I150 (max)	1500	13.9	108

(Wattage may vary up to 5% from published)

Output Multiplier Table

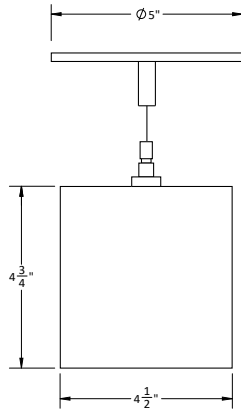
CCT	80 CRI
3000K	0.98
3500K	1
4000K	1.03

Photometrics and outputs published on this spec sheet are based on nominal 3500K temperature. This table may be used to approximate the lumen values at different Kelvin temperatures. Power consumption would stay the same.

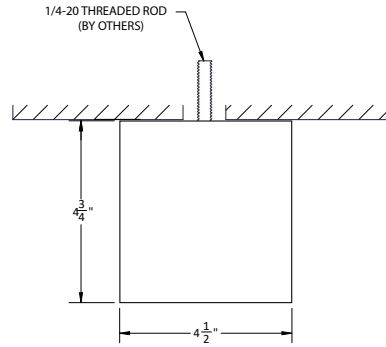
Bend

4" PENDANT OR SURFACE
DIRECT OR INDIRECT/DIRECT

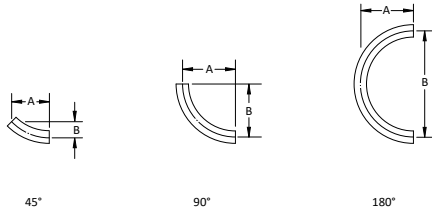
DIMENSIONS



Cross Section
Pendant

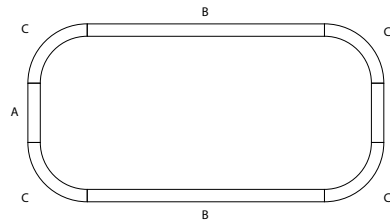


Cross Section
Surface

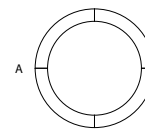


Arc Specification	Diameter [Nominal]	Angle	DIM A	DIM B
A2/90	2'	90°	12"	12"
A2/180	2'	180°	12"	24"
A4/45	4'	45°	16.97"	7.03"
A4/90	4'	90°	24"	24"
A4/180	4'	180°	24"	48"
A6/90	6'	90°	36"	36"
A8/45	8'	45°	33.94"	14.06"
A8/90	8'	90°	48"	48"
A16/45	16'	45°	67.88"	28.12"
A20/30	20'	30°	60"	16.08"

Ordering Examples



A: (QTY 2) 88L-P-D-4-2-02-WOL-C4-35K-D080-D01-1C-UNV-FA1
B: (QTY 2) 88L-P-D-4-8-08-WOL-C4-35K-D080-D01-1C-UNV-FA1
C: (QTY 4) 88L-P-D-4-A4/90-WOL-C4-35K-D080-D01-1C-UNV-FA1



A: (QTY 4) 88L-P-D-4-A4/90-WOL-C5-35K-D100-D01-1C-UNV

Bend

4" PENDANT OR SURFACE
DIRECT OR INDIRECT/DIRECT

PHOTOMETRY

88L-P-D-4-4-WOL-C1-35K8-D125-D01-1C-UNV-H

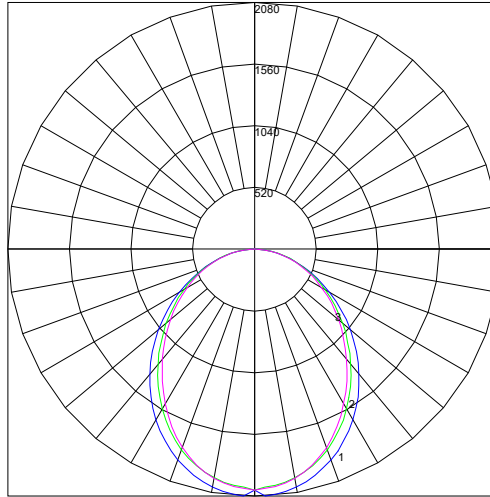
LUMINAIRE DATA

Test No.	R22.01373-49
Description	Pendant Direct 4" Aperture, 4' Length
Delivered Lumens	5000
Watts	59.2
Efficacy	84
Mounting	Pendant

ZONAL LUMEN SUMMARY

Zone	Lumens	% Luminaire
0-40	2398	48
0-60	4015	80
0-90	5000	100
0-180	5000	100

POLAR GRAPH



Maximum Candela = 2080.282 Located At Horizontal Angle = 0, Vertical Angle = 2.5
 # 1 - Vertical Plane Through Horizontal Angles (0 - 180)
 # 2 - Vertical Plane Through Horizontal Angles (45 - 225)
 # 3 - Vertical Plane Through Horizontal Angles (90 - 270)