

DATE:	LOCATION:
TYPE:	PROJECT:
CATALOG #:	

Bend

4" RECESSED
DIRECT

FEATURES

- Variable Intensity technology provides a range of specifiable outputs and resulting fixture wattages
- 1250 lumens max. See performance data table for additional information.



bend



RELATED PRODUCTS

88L-PS-4 88L-R-3 88L-PS-3

SPECIFICATIONS

Due to the complexity of this specification, submittal drawings for any configuration are required. Some configurations may require remote mounting drivers.

CONSTRUCTION

- 4.5" x 3.8" profile with 1.9" aperture (nominal).
- Extruded aluminum housing with machined aluminum end headers
- Machined aluminum end caps mechanically attached with no exposed fasteners

OPTICS

- 3 SDCM CCT consistency, 80 CRI.
- White Opal (WOL) diffuse acrylic downlight diffuser

ELECTRICAL

- Variable Intensity (VI) technology allows precise specification of fixture output/wattage. Fixture will be programmed and labeled to specification.
- LED boards and solid state constant current driver are field-servicable.
- LED rated life L85 > 50,000 hours. Tested in accordance to LM79-2008 & rated life derived from EPA TM-21 calculator.
- 1C (1 Circuit) Fixture wired for a single circuit
- 10W battery powered driver. Provides a minimum of 90 minutes of emergency lighting. Available in straight fixtures greater than 3' in length.
- Inverter-Compatible. Provided by others.

INSTALLATION

- Fixture weight: 4 lbs/ft
- Integral side rails allow installation into drywall slot. Visible flange is located on all 4 sides of fixture.

CERTIFICATIONS

- ETL listed for damp locations
- IC Rated
- IBEW
- AF of L

WARRANTY

- LED boards - 5 years
- LED drivers (standard) - 5 years

KEY DATA	
Lumen Range	350 - 1250
SDCM	3
Rated Life	L85 > 50,000 Hours
Efficacy	82 - 94

Bend

4" RECESSED
DIRECT

ORDERING GUIDE

Example: 88L-DW-D-4-STD-16-08-WOL-C1-35K-D080-D01-1C-UNV

CATALOG #

88L – Straight Sections							
Series	Mounting	Distribution	Aperture	Row Length (In Feet)	Max Length in Row	Direct Diffuser	
88L Bend	DW Drywall	D Direct	4 4"	____' Enter in foot increments	02 2', 609mm 03 3', 914mm 04 4', 1219mm 05 5', 1524mm 06 6', 1828mm 08 8', 2438mm	WOL White Opal Diffuse Lens, Lambertian	

Finish/Color	CCT/CRI	Direct Output/Ft ¹	Driver	Circuiting	Voltage
C1 Matte White (Default)	30K 3000K, 80CRI	D035 350 (Min) to	D01 1% Dimming, 0-10V	1C 1 Circuit	UNV 120-277V
C4 Machined Aluminum	35K 3500K, 80CRI				
C5 Carbon Black	40K 4000K, 80CRI	D125 1250 (Max)			
CC Custom Color					

OPTIONAL

Nightlight	Emergency	Thru-Wiring
NL Nightlight Circuit Required ²	EF 10W Emergency Battery Backup ³	W1 No Thru-Wire W2 Provide Normal and NL/EF Thru-Wiring ⁴ W3 Provide Normal Thru-Wiring Only

Notes:

- ¹ Specifiable in 50 lumen increments. Reference the Performance Data Table for full performance offering and exceptions.
- ² Enter Quantity. 2NL= 2 Nightlight circuits per row.
- ³ Enter Quantity. 2EF= 2 Batteries per row. 10W battery powered driver. Provides a minimum of 90 minutes of emergency lighting. Inverter Compatible. Provided by others.
- ⁴ Only applicable when specified with Emergency/Nightlight.

DATE: _____ LOCATION: _____

TYPE: _____ PROJECT: _____

CATALOG #: _____

Bend

4" RECESSED

DIRECT

ORDERING GUIDE

Example: 88L-DW-D-4-STD-4A4/90-WOL-C1-35K-D080-D01-1C-UNV

CATALOG # _____

88L – Curved sections						
Series	Mounting	Distribution	Aperture	Arc	Direct Diffuser	
88L Bend	DW Drywall	D Direct	4 4"	A2/90 2' Diameter, 90° Arc A2/180 2' Diameter, 180° Arc A4/45 4' Diameter, 45° Arc A4/90 4' Diameter, 90° Arc A4/180 4' Diameter, 180° Arc A6/90 6' Diameter, 90° Arc A8/45 8' Diameter, 45° Arc A8/90 8' Diameter, 90° Arc A12/45 12' Diameter, 45° Arc A16/45 16' Diameter, 45° Arc A20/30 20' Diameter, 30° Arc	WOL White Opal Diffuse Lens, Lambertian	

Finish/Color	CCT/CRI	Direct Output/Ft ¹	Driver	Circuiting	Voltage
C1 Matte White (Default)	30K 3000K, 80CRI	D035 350 (Min) to	D01 1% Dimming, 0-10V	1C 1 Circuit	UNV 120-277V
C4 Machined Aluminum	35K 3500K, 80CRI	D125 1250 (Max)			
C5 Carbon Black	40K 4000K, 80CRI				
CC Custom Color					

OPTIONAL

Nightlight	Thru-Wiring
NL Nightlight Circuit Required ²	W1 No Thru-Wire W2 Provide Normal and NL/EF Thru-Wiring ³ W3 Provide Normal Thru-Wiring Only

Notes:

¹ Specifiable in 50 lumen increments. Reference the Performance Data Table for full performance offering and exceptions.

² Enter Quantity. 2NL= 2 Nightlight circuits per row.

³ Only applicable when specified with Emergency/Nightlight

Bend

4" RECESSED
DIRECT

PERFORMANCE DATA TABLE

The table below shows the delivered lumens for the various lumen outputs. Use this chart in connection with the output multiplier capability to deliver any output required

Nomenclature	Lumens/Ft	W/Ft	Efficacy
D035	350	3.8	92
D040	400	4.3	93
D045	450	4.8	94
D050	500	5.4	93
D055	550	5.9	93
D060	600	6.5	92
D065	650	7.1	92
D070	700	7.7	91
D075	750	8.3	90
D080	800	8.9	90
D085	850	10.1	84
D090	900	10.8	83
D095	950	11.4	83
D100	1000	12.1	83
D105	1050	12.8	82
D110	1100	13.4	82
D115	1150	13.4	86
D120	1200	14.1	85
D125 (MAX)	1250	14.8	84

(Wattage may vary up to 5% from published)

Output Multiplier Table

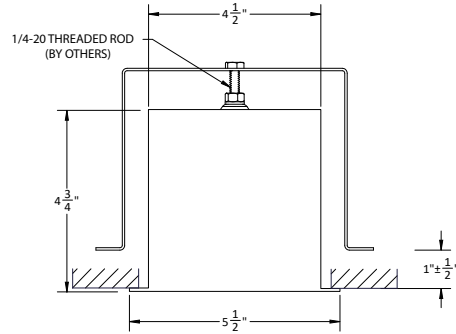
Photometrics and outputs published on this spec sheet are based on nominal 3500K temperature. This table may be used to approximate the lumen values at different Kelvin temperatures. Power consumption would stay the same.

CCT	80 CRI
3000K	0.98
3500K	1
4000K	1.03

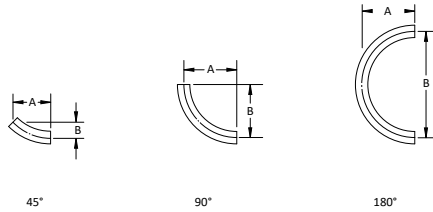
Bend

4" RECESSED
DIRECT

DIMENSIONS

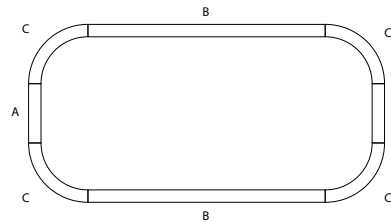


Cross Section
Recessed Drywall

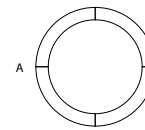


Arc Specification	Diameter [Nominal]	Angle	DIM A	DIM B
A2/90	2'	90°	12"	12"
A2/180	2'	180°	12"	24"
A4/45	4'	45°	16.97"	7.03"
A4/90	4'	90°	24"	24"
A4/180	4'	180°	24"	48"
A6/90	6'	90°	36"	36"
A8/45	8'	45°	33.94"	14.06"
A8/90	8'	90°	48"	48"
A16/45	16'	45°	67.88"	28.12"
A20/30	20'	30°	60"	16.08"

Ordering Examples



A: (QTY 2) 88L-DW-D-4-2-02-WOL-C4-35K-D080-D01-1C-UNV-FA1
 B: (QTY 2) 88L-DW-D-4-8-08-WOL-C4-35K-D080-D01-1C-UNV-FA1
 C: (QTY 4) 88L-DW-D-4-A4/90-WOL-C4-35K-D080-D01-1C-UNV-FA1



A: (QTY 4) 88L-DW-D-4-A4/90-WOL-C5-35K-D100-D01-1C-UNV

Bend

4" RECESSED
DIRECT

PHOTOMETRY

DIRECT [FPO]

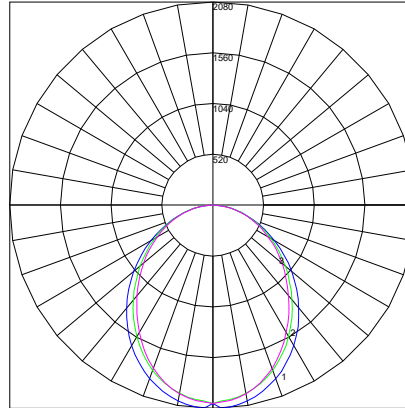
LUMINAIRE DATA

Test No.	R22.01373-68
Description	Recessed Direct 4" Aperture, 4' Length
Delivered Lumens	5000
Watts	59.2
Efficacy	84
Mounting	Recessed

ZONAL LUMEN SUMMARY

Zone	Lumens	% Luminaire
0-40	2398	48
0-60	4015	80
0-90	5000	100
0-180	5000	100

POLAR GRAPH



Maximum Candela = 2080.282 Located At Horizontal Angle = 0, Vertical Angle = 2.5
 # 1 - Vertical Plane Through Horizontal Angles (0 - 180)
 # 2 - Vertical Plane Through Horizontal Angles (45 - 225)
 # 3 - Vertical Plane Through Horizontal Angles (90 - 270)