

# Nelo+ 75

OPEN APERTURE RECESSED DIRECT

## FEATURES

- Variable Intensity technology provides a range of specifiable outputs and resulting fixture wattages
- 1500 lumens max. See performance data table on page 4 for additional information
- 80 & 90 CRI (30, 35, 40K); Warm Dim (30–22K), Tunable White (27–65K & 27–50K)



## CONTROL TECHNOLOGY



## SPECIFICATIONS

### CONSTRUCTION

- 4" x 4" nominal profile with 2.8" aperture.
- Extruded aluminum housing with machined aluminum end headers
- End caps constructed from die-formed steel.
- Patent pending ConJoin™ row mounting system

### OPTICS

- 3 SDCM CCT consistency, 80 or 90 CRI. Tunable White and Dim to Warm options available.
- 98% High reflectance laminated reflector for soft, continuous illumination. UV stable, UL 94 V rated.
- Additional reflector seam cover blends appearance for unbroken illumination in row mount configurations.

### ELECTRICAL

- Variable Intensity (VI) technology allows precise specification of fixture output/wattage. Fixture will be programmed and labeled to specification.
- LED boards and solid state constant current driver are field-serviceable from below through housing aperture.
- 1C (1 Circuit) Fixture wired for a single circuit
- Emergency Battery: 10W battery powered driver. Provides a minimum of 90 minutes of emergency lighting. Inverter-Compatible. Provided by others. Available in 4'+ fixtures, LH/RH options available for 8' fixtures.

### INSTALLATION

- Fixture weight: 5 lbs/ft
- PT Mounting: Continuous spackle trim with beaded edge fastened to housing. Spackle trim allows plaster coat up to fixture edge for clean ceiling appearance.
- LG/NG/SS Mounting: Side rails provide continuous mounting, lateral spacing between T-bars and allows clearance for T-bar supporting wire. For Tegular grid mount, fixture will sit level with the T-bar.
- DW Mounting: Side rails allow installation into drywall slot. Visible flange is located on all 4 sides of fixture.

### CONTROLS

- Sensors install at end of individual fixtures. For rows or additional information, contact factory.
- NX Lighting Control: Supports indoor and outdoor applications, wired, wireless and hybrid networked NX Lighting Controls deployments and enabled emerging applications, such as Current Lighting's SpectraSync™ Color Tuning Technology
- SpectraSync™ Color Tuning Technology: Control your space based on the needs of the application, specific activities throughout the day and preferences of the occupants

### CERTIFICATIONS

- CSA listed for damp locations
- UL924
- IC Rated
- CCEA
- IBEW
- AF of L
- This product qualifies as a "designated country construction material" per FAR 52.225-11 Buy American-Construction. Materials under Trade Agreements effective 5/19/2022. Contact factory for configurations including SpectraSync, NX Lighting Controls, or sensors

### WARRANTY

- LED boards - 5 years
- LED drivers (standard) - 5 years
- LED drivers (Lutron) - 3 years

KEY DATA	
Lumen Range	300–1500
SDCM	3
Rated Life	L85 > 50,000 Hours
Efficacy	108–120 LPW

# Nelo+ 75

OPEN APERTURE RECESSED DIRECT

DATE:	LOCATION:
TYPE:	PROJECT:
CATALOG #:	

## ORDERING GUIDE

Example: 75L-LG-D-8-08-C1-35K-D100-D01-1C-UNV

CATALOG #

Series	Ceiling Type	Distribution	Row Length (In Feet)	Max Length in Row	Finish/Color <sup>1</sup>	CCT/CRI <sup>2</sup>
75L Nelo+	DW Drywall	D Direct	—' Enter in foot increments	02 2', 609mm	C1 Matte White (Default)	30K 3000K, 80CRI
	PT Drywall with Plaster Trim			03 3', 914mm		C2 Textured Matte White
	LG 1 <sup>5</sup> / <sub>16</sub> " Grid			04 4', 1219mm	C3 Light Silver	35K 3500K, 80CRI
	NG 9/ <sub>16</sub> " Grid			05 5', 1524mm		35K9 3500K, 90CRI
	SS 9/ <sub>16</sub> " Screw Slot Grid			06 6', 1829mm	C4 Machined Aluminum	40K 4000K, 80CRI
				08 8', 2438mm		40K9 4000K, 90CRI
					C5 Carbon Black	2230TD 2200K–3000K SpectraSync™ Dim-to-Warm
					C6 Textured Camera Black	2750T 2700K–5000K SpectraSync™ Tunable White
		CC Custom Color	2765T 2700K–6500K SpectraSync™ Tunable White			

Direct Output/ft	Driver	Circuiting	Voltage	Nightlight <sup>5</sup>	Emergency <sup>6</sup>
D030 300 (Min) to D150 1500 (Max)	D01 1% Dimming, 0–10V D05 5% Dimming, 0–10V <sup>3</sup> LEC Hi-Lume 1% EcoSystem NDM Non-Dimming	1C 1 Circuit	UNV 120–277V 347 347V <sup>4</sup>	NL Nightlight Circuit Required. Enter quantity.	EF 10W Emergency Battery Backup. Enter quantity.

Thru-Wiring	City of Chicago Environmental Airst	Control Options <sup>4</sup>
W1 No Thru-Wire W2 Provide Normal and NL/EF Thru-Wiring W3 Provide Normal Thru-Wiring Only	CCEA Chicago Environmental Air Modification	<p><b>NX Networked – Wired</b></p> <p>NXE NX Wired Dual RJ45 SmartPORTS, without Sensor<sup>7,8</sup></p> <p>NXERM NX Wired Dual RJ45 SmartPORTS and Integral NX SMP2-LMI PIR Occupancy Sensor with Automatic Dimming Photocell and Bluetooth Programming<sup>7,8</sup></p> <p><b>NX Networked – Wireless</b></p> <p>NXW NX Networked Wireless Radio Module NXRM2 and Bluetooth Programming, without Sensor<sup>7,8</sup></p> <p>NXWRM NX Networked Wireless Enabled Integral NX SMP2-LMI PIR Occupancy Sensor with Automatic Dimming Photocell and Bluetooth Programming<sup>7,8</sup></p> <p><b>Sensors</b></p> <p>BTSL Bluetooth Programmable, BT SMP-LMI PIR Occupancy Sensor with Automatic Dimming Photocell and 360° Lens<sup>7</sup></p>

**Notes:**

- 1 Visit [currentlighting.com/litecontrol](http://currentlighting.com/litecontrol) for details.
- 2 SpectraSync must be ordered with D05 driver option
- 3 Must be ordered with SpectraSync options
- 4 Additional lead time may be applicable. Contact factory.
- 5 2NL = 2 nightlight circuits/row. Available in 4+ fixtures.
- 6 2EF = 2 Emergency batteries/row. See Details for restrictions. Provides a minimum of 90 minutes of emergency lighting. Inverter-Compatible. Provided by others. Available in 4+ fixtures; 8' available LH/RH.
- 7 Not available for row mounting. Only available with 0–10V Driver options. Contact factory for Length restrictions.
- 8 Refer to NX Integrated Controls Reference Table for Functionality of Options.

# Nelo+ 75

OPEN APERTURE RECESSED DIRECT

## CONTROLS

### NX LIGHTING CONTROLS:

Supports both indoor and outdoor applications in a variety of deployment options. Integrates with and enables a wide array of luminaires including those with SpectraSync™ Color Tuning Technology.



NX INTEGRATED CONTROLS REFERENCE								
NX Option	Sensor	Networkable	Scheduling	Occupancy	Daylight Harvesting	0–10V Dimming	On/off Control	Bluetooth® App Programming
<b>NX Networked – Wired</b>								
NXE	N/A	Yes	Yes	No	No	Yes	Yes	Requires NXBTC dongle <sup>1</sup>
NXERM	NXSMP2-LMI	Yes	Yes	Yes	Yes	Yes	Yes	Yes
<b>NX Networked – Wireless</b>								
NXWRM	NXSMP2-LMI	Yes	Yes	Yes	Yes	Yes	Yes	Yes
NXW	N/A	Yes	Yes	No	No	Yes	Yes	Yes

<sup>1</sup> NXBTC needs to be plugged into an available NX SmartPort™ on the fixture network

### SPECTRASYNCTM COLOR TUNING TECHNOLOGY:

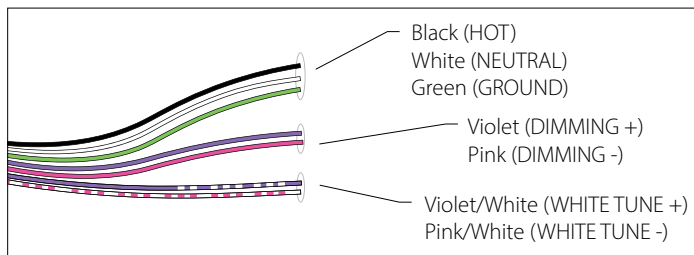
Control your space based on the needs of the application, specific activities throughout the day and preferences of the occupants with distinct SpectraSync™ Color Tuning Technologies.



SPECTRASYNCTM Color tuning technology		
Mode	Kelvin Range	Description
Dim to Warm	2200K–3000K	Mimics the familiar warning effect that occurs with traditional incandescent sources as they are dimmed
Tunable White	2700K–5000K 2700K–6500K	Offers users the ability to tailor CCT to their personal preference, enhancing task visibility, material and colors or the aesthetics of the space
Scheduled White	2700K–5000K 2700K–6500K	Mimics the rhythm of natural light or follows an alternative user-defined schedule throughout the day, enhancing an occupant's mood and well-being

### SPECTRASYNCTM TUNABLE WHITE

Available in two options: 2750T (2700K–5000K) or 2765T (2700K–6500K). Requires two 0–10V controllers, one for intensity and one for CCT. Minimum 5% dimming.

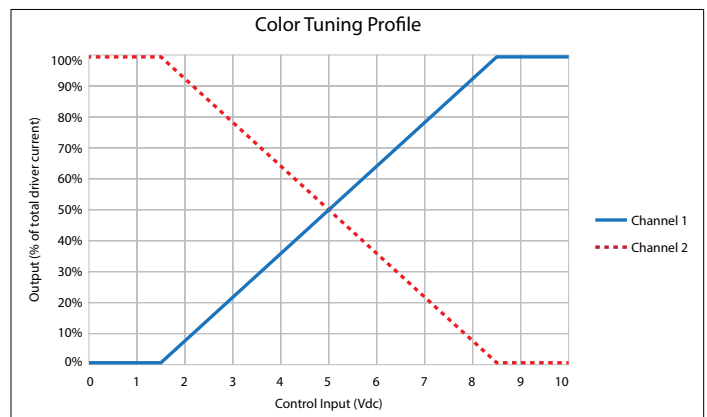


SpectraSync Tunable White luminaires are provided with two 0–10V circuits. The violet and pink circuit is for wiring to any qualified 0–10V controller for dimming. The violet/white and pink/white circuit is for wiring to any qualified 0–10V controller for Tunable White CCT control.

### CONTROLLER MANUFACTURER DATA

SpectraSync Tunable White was designed to be used with sinking style dimmers (provided by others) and is compatible with:

- Current: NX Lighting Control Room Controllers (NXRC) and In-fixture Controllers (NXFM)
- Lutron: DDTV, DVSTV, and NFTV dimmers
- Wattstopper: ADF120277 and CD4BL (Titan) dimmers



To enable scheduling and for use with NX wall control preset stations please refer to SpectraSync technical sheet.

# Nelo+ 75

OPEN APERTURE RECESSED DIRECT

DATE:	LOCATION:
TYPE:	PROJECT:
CATALOG #:	

## PERFORMANCE DATA TABLE

The table below shows the delivered lumens for the various lumen outputs. Use this chart in connection with the output multiplier capability to deliver any output required.

Nomenclature	Lumens/Ft	W/Ft	Efficacy
D030 (min)	300	2.8	108
D035	350	3.2	110
D040	400	3.5	115
D045	450	3.9	116
D050	500	4.2	118
D055	550	4.7	117
D060	600	5.1	118
D065	650	5.5	118
D070	700	5.8	120
D075	750	6.3	118
D080	800	6.7	119
D085	850	7.2	117
D090	900	7.8	116
D095	950	8.3	115
D100	1000	8.7	115
D105	1050	9.1	116
D110	1100	9.6	115
D115	1150	10.1	114
D120	1200	10.5	114
D125	1250	11.0	114
D130	1300	11.5	113
D135	1350	12.0	112
D140	1400	12.5	112
D145	1450	13.0	112
D150 (max)	1500	13.6	111

## OUTPUT RESTRICTIONS

Options listed below are not available for the output and length as shown.

LENGTH	300	350	400	450	500	550	600	650	700	750	800	850	900	950	1000	1050	1100	1150	1200	1250	1300	1350	1400	1450	1500		
<b>75L (Direct)</b>																											
2'	EF/NL not available																										
3'	EF/NL not available																										
4'																											
5'																											
6'																											
8'																											

## OUTPUT MULTIPLIER TABLE

Photometry for the 75L is published at 3500K color temperature, 80 CRI. This table may be used to approximate lumen values at other color temperatures and color rendering. Power consumption would stay the same.

CCT	80 CRI	90 CRI
3000K	0.98	0.85
3500K	1	0.88
4000K	1.03	0.9

# Nelo+ 75

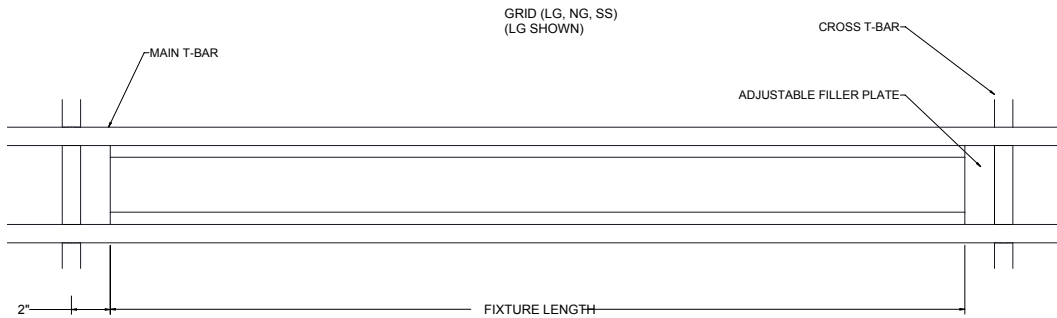
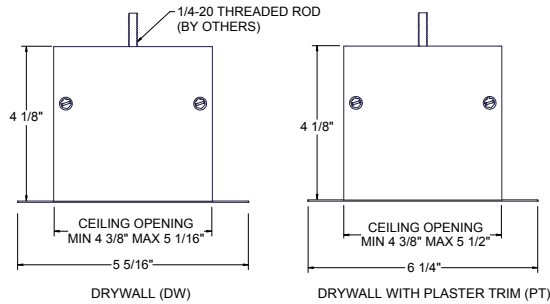
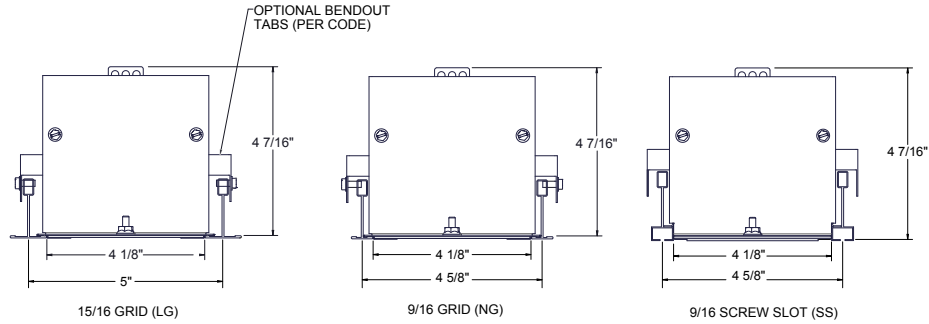
OPEN APERTURE RECESSED DIRECT

DATE: \_\_\_\_\_ LOCATION: \_\_\_\_\_

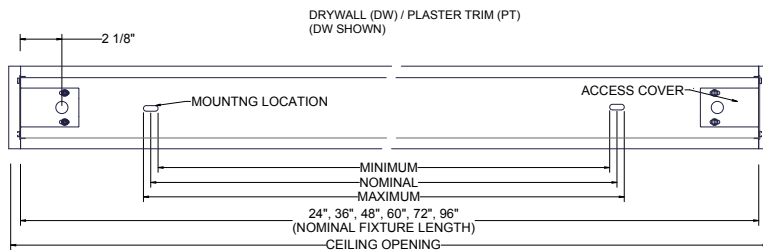
TYPE: \_\_\_\_\_ PROJECT: \_\_\_\_\_

CATALOG #: \_\_\_\_\_

## DIMENSIONS



FIXTURE LENGTHS	
INDIVIDUAL (IND) / END OF ROW RIGHT (EORR)	20", 32", 44", 56", 68", 92"
INTERMEDIATE (INT) / END OF ROW LEFT (EORL)	24", 36", 48", 60", 72", 96"



THREADED ROD DISTANCE	
MINIMUM	FIXTURE LENGTH MINUS 12 1/2"
NOMINAL	FIXTURE LENGTH MINUS 12"
MAXIMUM	FIXTURE LENGTH MINUS 11 1/2"

CEILING CUTOUT LENGTH	
INDIVIDUAL (FLUSH)	NOMINAL FIXTURE LENGTH PLUS 5/8"
ROW (FLUSH)	TOTAL NOMINAL ROW LENGTH PLUS 5/8"

# Nelo+ 75

OPEN APERTURE RECESSED DIRECT

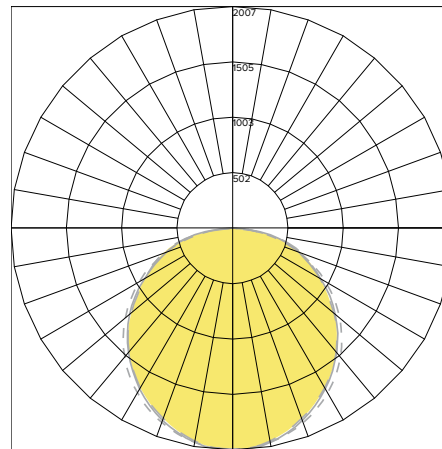
## PHOTOMETRY

### 75L-X-D-4-CX-35K-D150-ECC

#### LUMINAIRE DATA

Test No.	Scaled From P21.01221
Description	75L Nelo Closed End Cap Direct
Delivered Lumens	6000
Watts	54
Efficacy	111

#### POLAR GRAPH



LEGEND:  
0-deg: - - - - -  
45-deg: \_\_\_\_\_  
90-deg: - - - - -

#### ZONAL LUMEN SUMMARY

Zone	Lumens	% Luminaire
0-40	2540.89	42.3
0-60	4551.27	75.9
0-90	6000	100
0-180	6000	100

## ADDITIONAL INFORMATION

#### DIMMING OPTIONS

<b>D01</b>	100%–1% dimming range. Fixture will be wired for low voltage 0–10V dimming control.
<b>D05</b>	100%–5% dimming range, Fixture will be wired for low voltage 0–10V dimming control. Only applicable if either 2230TD, 2750T or 2765T is selected.
<b>LEC</b>	Hi-Lume 1% EcoSystem LED Driver with Soft-On, Fade-to-Black dimming technology.
<b>NDM</b>	Non-dimming. Fixture will be wired for fixed light output.

#### Rated Life

Tested in accordance to LM79-2008 & derived from EPA TM-21 calculator

L70: >54,000 (calculated per TM-21 extrapolated curve)

L70: 110000 (reported per TM-21/LM80 6x's limitation)

L85: >50000 (calculated per TM-21 extrapolated curve)

L85: 50500 (reported per TM-21/LM80 6x's limitation)

#### Rated Life (Driver)

Standard = 100,000 hours

Lutron = 50,000 hours