



# LED Lamps - General Purpose



## SpectraChoice™ Type B Plug-ins

SpectraChoice™ Type B Plug-in lamps with Selectable CCT provide an easy solution to leverage the low energy and long life of LED. The existing fixture is wired to bypass the ballast, which further reduces energy use and eliminates the need to check ballast compatibility.



### SpectraChoice

### PERFORMANCE HIGHLIGHTS:

| SpectraChoice™ Type B Plug-in Lamps |                             |
|-------------------------------------|-----------------------------|
| <b>Light Output Range:</b>          | 1000-1100 Lumens            |
| <b>CRI:</b>                         | 80                          |
| <b>Selectable CCT:</b>              | 2700K, 3000K, 3500K & 4000K |
| <b>Input Voltage:</b>               | 120-347                     |
| <b>Efficiency:</b>                  | Up to 105 LPW               |
| <b>Wattage:</b>                     | 10.5W                       |
| <b>Life:</b>                        | 50,000 hours L70            |
| <b>Temperature Rating:</b>          | -20°C to 40°C               |
| <b>Location Rating:</b>             | Damp                        |

### FEATURES:

- Select color temperature with built-in switch, no tool required
- Fits in 2-pin G24d and 4-pin G24q/GX24q sockets
- Operates from 120-347VAC input voltage (ballast bypass)
- Directional light output for improved fixture efficiency
- Lasts up to 4x longer than CFL
- These lamps are energy efficient, contain no lead or mercury and are compliant with material restriction requirements of RoHS

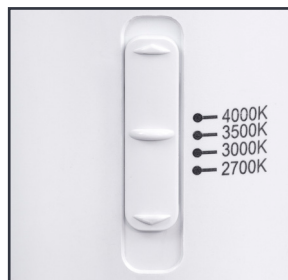
### BENEFITS:

#### Energy + Cost Savings

- For example, using only 10.5 watts of energy, save over \$90 in energy costs over the rated life of the lamp versus a standard 26-watt compact fluorescent lamp operated on a ballast based on \$0.11 per kWh
- One lamp can replace many, greatly reducing inventory
- Use one lamp for applications requiring different CCTs, simplifying project management by streamlining BOMs
- Match color temperature across space with flip of a switch
- Eliminates the need for ballasts

### LIMITED WARRANTY

5 years



Select color temperature using built-in switch.

### LEARN MORE:

To learn more about saving money and energy, go to [www.LED.com](http://www.LED.com).



## Selectable LED Lamps

### Do more with less.

- *Reduce Inventory*
- *Simplify Projects*
- *Optimize Solutions*



# LED Lamps - Plug-in

## SpectraChoice™ Type B Plug-in

CUSTOMER NAME \_\_\_\_\_  
 PROJECT NAME \_\_\_\_\_  
 DATE \_\_\_\_\_ NOTES \_\_\_\_\_

### SpectraChoice™ Type B Plug-in Lamps

| Base Type                      | Watts | Order Code | Description                 | Volts   | Carton Qty <sup>2</sup> | MOL (in) | MOD (in) | Lumens (Initial) <sup>5</sup> | Selectable Color Temp.* | CRI | Wattage Replacement | Rated Life L70 (Hrs) <sup>1</sup> | Dimmable | DLC <sup>4</sup> | Location Rating <sup>3</sup> | Additional Information |
|--------------------------------|-------|------------|-----------------------------|---------|-------------------------|----------|----------|-------------------------------|-------------------------|-----|---------------------|-----------------------------------|----------|------------------|------------------------------|------------------------|
| <b>Horizontal 2-pin Type B</b> |       |            |                             |         |                         |          |          |                               |                         |     |                     |                                   |          |                  |                              |                        |
| G24                            | 10.5  | 93300087   | LED11BG24-H/BSC/120-347-4PK | 120-347 | 24                      | 6.4      | 1.9      | 1000                          | 2700                    | 80  | 13/18/26            | 50,000                            | -        | N/A              | Damp, Enclosed               | Ballast Bypass, 4-pack |
|                                |       |            |                             |         |                         |          |          | 1100                          | 3000                    |     |                     |                                   |          |                  |                              |                        |
|                                |       |            |                             |         |                         |          |          | 1100                          | 3500                    |     |                     |                                   |          |                  |                              |                        |
|                                |       |            |                             |         |                         |          |          | 1100                          | 4000                    |     |                     |                                   |          |                  |                              |                        |
| <b>Vertical 2-pin Type B</b>   |       |            |                             |         |                         |          |          |                               |                         |     |                     |                                   |          |                  |                              |                        |
| G24                            | 10.5  | 93300088   | LED11BG24-V/BSC/120-347-4PK | 120-347 | 24                      | 5.9      | 3.1      | 1000                          | 2700                    | 80  | 13/18/26            | 50,000                            | -        | N/A              | Damp, Enclosed               | Ballast Bypass, 4-pack |
|                                |       |            |                             |         |                         |          |          | 1100                          | 3000                    |     |                     |                                   |          |                  |                              |                        |
|                                |       |            |                             |         |                         |          |          | 1100                          | 3500                    |     |                     |                                   |          |                  |                              |                        |
|                                |       |            |                             |         |                         |          |          | 1100                          | 4000                    |     |                     |                                   |          |                  |                              |                        |

Information provided is subject to change without notice. Please verify all details with Current. All values are design or typical values when measured under laboratory conditions, and Current makes no warranty or guarantee, expressed or implied, that such performance will be obtained under end-use conditions.

<sup>1</sup> The life rating is based on the hours of operation the lamp will provide before reaching 70% of its original lumen output (L70)

<sup>2</sup> Minimum order quantity from Current = Carton Qty; Smaller unit of sale pack inside carton

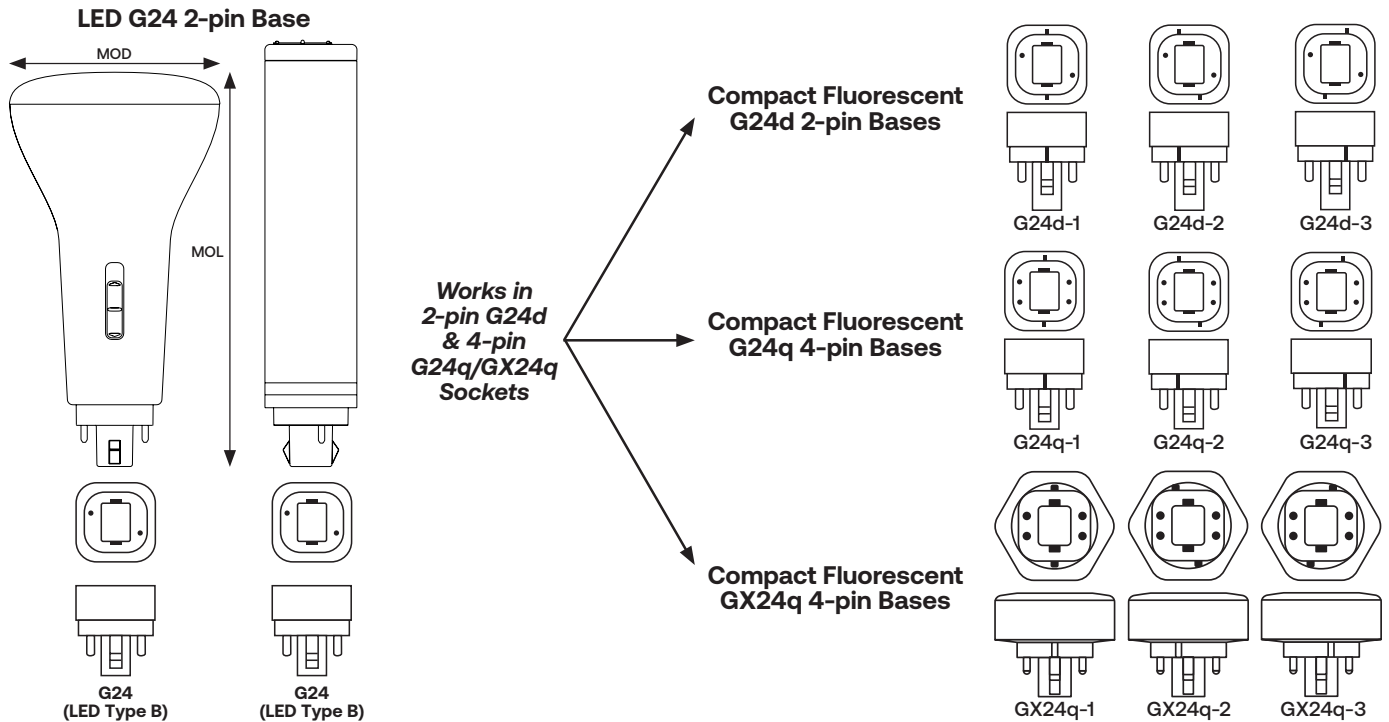
<sup>3</sup> UL 1993 Environmental Requirements for LED LAMPS

Damp Location - Exterior or interior location that is normally or periodically subject to condensation of moisture in, on, or adjacent to electrical equipment, including partially protected locations

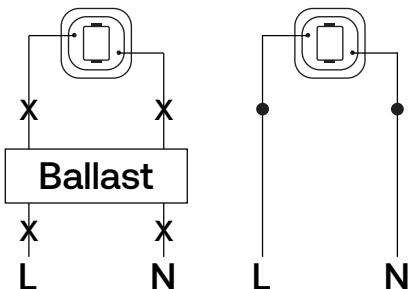
<sup>4</sup> DLC\* does not have a category for two-pin plug-in lamps.

<sup>5</sup> Lumen levels correspond with color temperature.

\* Default color temperature setting is 4000K.



Wiring Diagram for G24d 2-pin Sockets



Wiring Diagram for G24q/GX24q 4-pin Sockets

