



LED Lamps - Tubes



LED Type B Tubes 120-347V

Convert your existing linear fluorescent fixture to LED lighting without needing a comprehensive reinstall. LED tubes are ideal for those seeking high energy savings with minimal installation time. The existing fixture is wired to bypass the ballast, which further reduces energy use and eliminates the need to check ballast compatibility. Additional maintenance savings are realized by removing costs associated with replacing ballasts.

PERFORMANCE HIGHLIGHTS:

120-347V Type B Replacement Lamps

Light Output:	900 - 5,500 Lumens
CRI:	80
CCT:	3000K, 3500K, 4000K, 5000K
Input Voltage:	120-347
Efficiency:	Up to 156 LPW
Wattage:	7W-42W (T8); 25W (T5)
Life:	50,000 hours L70
Temperature Rating:	-20°C to 45°C
Location Rating:	Damp

LIMITED WARRANTY

5 years

LEARN MORE:

To learn more about saving money and energy, go to www.LED.com.

FEATURES:

Flexibility:

- Use in 120V to 347V applications
- Simplify BOMs and stocking; reduce overall inventory

Safety First Built-In Protection:

- Internal safety switch provides protection for the installer
- Internal misapplication circuit provides protection if lamp is placed into ballasted fixture
- In-line fuse kit protects the installer if LFL is reinstalled in the future (optional, sold separately)

BENEFITS:

- Fast and easy LED upgrade
- Low energy LFL replacement
- 66% longer life than LFL (50,000 vs. 30,000 hours)
- Better quality of light - instant on
- Easy disposal, non-hazardous waste
- Additional cost savings by eliminating ballast energy usage and ballast replacement/maintenance costs
- Double-ended power means no socket replacement necessary - use with shunted or non-shunted sockets



LED Type B Tubes 120-347V

CUSTOMER NAME _____
 PROJECT NAME _____
 DATE _____ NOTES _____

120-347V Ballast Bypass Glass Tubes - Double Ended - Type B

Bulb Shape	Base Type	Watts	Order Code	Description	Volts	Carton Qty ²	MOL (in)	Lumens (Initial)	Color Temp. (Initial)	CRI	Rated Life L70 (Hrs) ¹	Power Factor	DLC ⁰⁴	Location Rating ³	Additional Information
120-347V Ballast Bypass - 8ft Glass Tubes															
T8	R17d	42	93309189	LED42BDT8/G8/R17d/840/120-347	120-347	20	96	5500	4000K	80	50,000	>0.9	-	Damp	
	R17d	42	93309190	LED42BDT8/G8/R17d/850/120-347	120-347	20	96	5500	5000K	80	50,000	>0.9	-	Damp	
	Fa8	42	93309184	LED42BDT8/G8/Fa8/835/120-347	120-347	20	96	5400	3500K	80	50,000	>0.9	-	Damp	
	Fa8	42	93309185	LED42BDT8/G8/Fa8/840/120-347	120-347	20	96	5500	4000K	80	50,000	>0.9	-	Damp	
	Fa8	42	93309186	LED42BDT8/G8/Fa8/850/120-347	120-347	20	96	5500	5000K	80	50,000	>0.9	-	Damp	
120-347V Ballast Bypass - 4ft Glass Tubes															
T8	G13	15	93150744	LED15BDT8/G4/830/120-347	120-347	20	48	2000	3000K	80	50,000	>0.9	Yes	Damp	
	G13	15	93150745	LED15BDT8/G4/835/120-347	120-347	20	48	2100	3500K	80	50,000	>0.9	Yes	Damp	
	G13	15	93150774	LED15BDT8/G4/840/120-347	120-347	20	48	2200	4000K	80	50,000	>0.9	Yes	Damp	
	G13	15	93150775	LED15BDT8/G4/850/120-347	120-347	20	48	2200	5000K	80	50,000	>0.9	Yes	Damp	
	G13	11.5	93305112	LED11BDT8/G4/830/120-347	120-347	20	48	1700	3000K	80	50,000	>0.9	Yes	Damp	
	G13	11.5	93305113	LED11BDT8/G4/835/120-347	120-347	20	48	1750	3500K	80	50,000	>0.9	Yes	Damp	
	G13	11.5	93305115	LED11BDT8/G4/840/120-347	120-347	20	48	1800	4000K	80	50,000	>0.9	Yes	Damp	
	G13	11.5	93305116	LED11BDT8/G4/850/120-347	120-347	20	48	1800	5000K	80	50,000	>0.9	Yes	Damp	
120-347V Ballast Bypass - 3ft Glass Tubes															
T8	G13	12	93309175	LED12BDT8/G3/830/120-347	120-347	20	36	1500	3000K	80	50,000	>0.9	-	Damp	
	G13	12	93309176	LED12BDT8/G3/835/120-347	120-347	20	36	1550	3500K	80	50,000	>0.9	-	Damp	
	G13	12	93309177	LED12BDT8/G3/840/120-347	120-347	20	36	1600	4000K	80	50,000	>0.9	-	Damp	
	G13	12	93309178	LED12BDT8/G3/850/120-347	120-347	20	36	1600	5000K	80	50,000	>0.9	-	Damp	
120-347V Ballast Bypass - 2ft Glass Tubes															
T8	G13	7	93309179	LED7BDT8/G2/830/120-347	120-347	20	24	900	3000K	80	50,000	>0.9	-	Damp	
	G13	7	93309180	LED7BDT8/G2/835/120-347	120-347	20	24	925	3500K	80	50,000	>0.9	-	Damp	
	G13	7	93309181	LED7BDT8/G2/840/120-347	120-347	20	24	950	4000K	80	50,000	>0.9	-	Damp	
	G13	7	93309182	LED7BDT8/G2/850/120-347	120-347	20	24	950	5000K	80	50,000	>0.9	-	Damp	

120-347V Ballast Bypass Glass Tubes - Double Ended - Type B - T5

Bulb Shape	Base Type	Watts	Order Code	Description	Volts	Carton Qty ²	MOL (in)	Lumens (Initial)	Color Temp. (Initial)	CRI	Rated Life L70 (Hrs) ¹	Power Factor	DLC ⁰⁴	Location Rating ³	Additional Information
120-347V Ballast Bypass - 4ft T5 HO Glass Tubes															
T5	G5	25	93305599	LED25BDT5/G4/835/120-347	120-347	25	46	3400	3500K	80	50,000	>0.9	Yes	Damp	
	G5	25	93305600	LED25BDT5/G4/840/120-347	120-347	25	46	3500	4000K	80	50,000	>0.9	Yes	Damp	
	G5	25	93305601	LED25BDT5/G4/850/120-347	120-347	25	46	3500	5000K	80	50,000	>0.9	Yes	Damp	

¹ The life rating is based on the hours of operation the lamp will provide before reaching 70% of its original lumen output (L70)

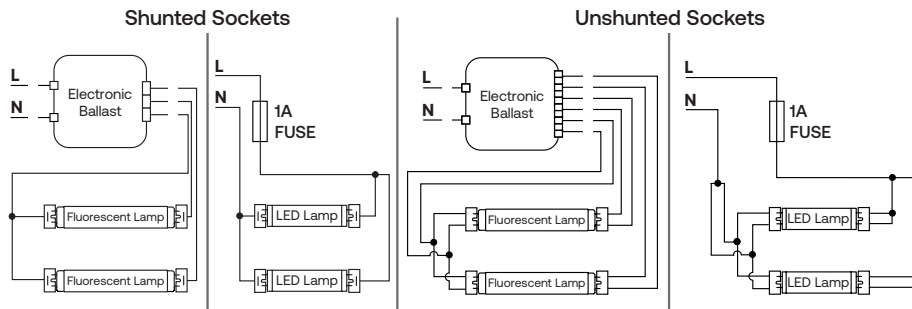
² Minimum order quantity = Carton Qty

³ UL 1993 Environmental Requirements for LED LAMPS

Damp Location - Exterior or interior location that is normally or periodically subject to condensation of moisture in, on, or adjacent to electrical equipment, including partially protected locations

⁴ Not all product variations on this page are DLC qualified. Visit qpl.designlights.org/solid-state-lighting to confirm qualification.

Wiring Diagrams for Double-Ended Type B LED Tubes



Type B Tube Misapplication In-Line Fuse Kit

Order Code	Description	Kit Contents
39017	BT8-1AFUSEKIT	1 Fuse (1A), 1 Fuse Holder

Power Line Dimming Option
(Contact Current for more information)

