

DATE:	LOCATION:
TYPE:	PROJECT:
CATALOG #:	

FEATURES

- The message remains invisible until the sign is energized - enhancing communication of the intended warning
- The LED panel is designed to provide bright and uniform illumination across the panel face
- A variety of standard messages can be selected with either red or green letters. Custom messages are available upon request
- Extruded aluminum body with die cast corners available in either a white or black finish
- Obsidian is provided ready for surface-, ceiling-, end- or wall-mounting with included canopy accessory. Recessed mounting available with optional mounting kit
- LED life-cycle exceeding 10 years



Shown with ceiling canopy mount



Shown with optional recessed mounting kit

SPECIFICATIONS

CONSTRUCTION

- Extruded and die cast aluminum frame with steel universal mounting plate and die cast aluminum canopy
- The opaque and message panel are both acrylic
- The optional Recessed Mounting Kit (OBN RMK) includes heavy gauge mounting bracket and an extruded aluminum face trim
- The sign housing is available in either a white or black powder coat paint finish
- The optional recessed trim has an aluminum paint finish

OPTICS

- Sign illumination utilizes an LED panel with 60 equally spaced green or red LEDs

INSTALLATION

- Obsidian comes with a variety of mounting options
- The base sign can be surface-mounted or can be ceiling-, end- or wall-mounted with the included canopy
- The optional Recessed Mounting Kit (OBN RMK) creates a flush wall mounting solution

ELECTRICAL

- Obsidian utilizes a highly efficient switching power supply with surge protection for 120 or 277V input at 60Hz

CERTIFICATIONS

- CSA Listed to UL48, Standard for Electric Signs

WARRANTY

- 5 year warranty

KEY DATA	
Wattage Range	11–12.33
Projected Life (Years)	10
Input Current Range (mAmps)	0.091–0.97

ORDERING GUIDE

Example: OBN-U-S-R-B-NP (OBSIDIAN SIGN HOUSING)
Example: OBN-KIT DIFF SW28 (MESSAGE PANEL FOR "MRI IN USE")

CATALOG #

OBN	U	S	Letter Color	Finish	Panel	Available Message Panels
Model	Mounting	Face				
OBN Obsidian Message Sign	U Universal for Surface-, Ceiling-, End- or Wall-Mounting	S Single-face	R Red G Green	W White housing B Black housing	NP No Panel (Signs are shipped without a specific message. Order the desired message from the list to the right as a separate line item.)	OBN-KIT DIFF SW21 Beam On OBN-KIT DIFF SW23 Cat Scan in Use OBN-KIT DIFF SW6 Caution OBN-KIT DIFF SW16 Men OBN-KIT DIFF SW17 Men (with graphic) OBN-KIT DIFF SW28 MRI IN USE OBN-KIT DIFF SW26 MRI ROOM IN USE OBN-KIT DIFF SW8 TEST IN PROGRESS OBN-KIT DIFF SW20 WARNING LASOR ON OBN-KIT DIFF SW18 WOMEN OBN-KIT DIFF SW19 WOMEN (with graphic) OBN-KIT DIFF SW4 X-RAY IN USE

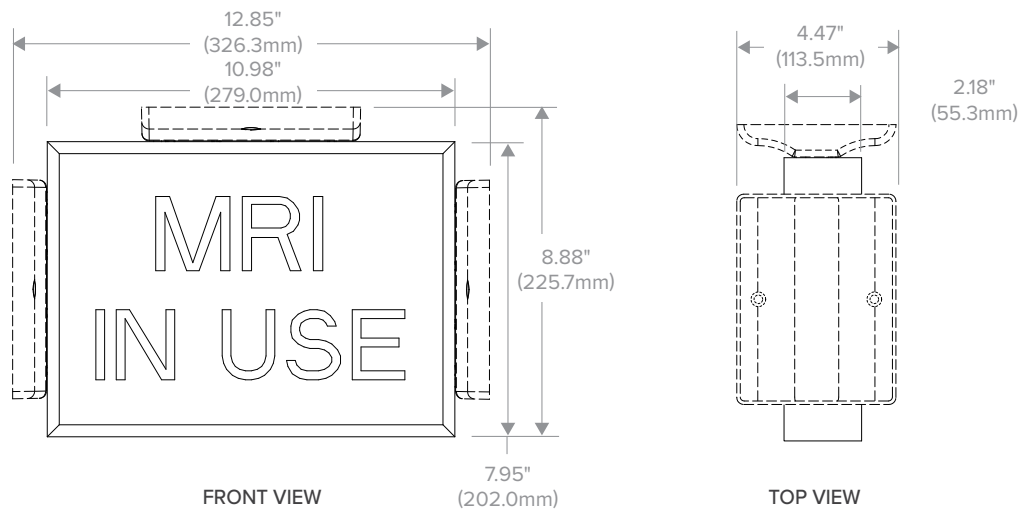
ACCESSORIES

OBN-RMK Recessed Mounting Kit (includes mounting bracket and trim plate with aluminum paint finish)

Order Message Panel separately

Note: Custom panel messages are available. Consult factory for further details.

DIMENSIONS



ADDITIONAL INFORMATION

STANDARD MESSAGE PANELS

Custom messages are available upon request.



OBN-KIT DIFF SW8



OBN-KIT DIFF SW4



OBN-KIT DIFF SW6



OBN-KIT DIFF SW20



OBN-KIT DIFF SW21



OBN-KIT DIFF SW28



OBN-KIT DIFF SW23



OBN-KIT DIFF SW26



OBN-KIT DIFF WATCH FOR PEDEST



OBN-KIT DIFF <CAUT VEHICLE E>



OBN-KIT DIFF SW19



OBN-KIT DIFF SW17



OBN-KIT DIFF SW16



OBN-KIT DIFF SW18



OBN-KIT DIFF SW30



OBN-KIT DIFF SW3

POWER CONSUMPTION

	Red Panel		Green Panel	
	120VAC	277VAC	120VAC	277VAC
Hz.	60	60	60	60
Amps	0.163	0.091	0.130	0.97
Watts	11	11	12	12.33