

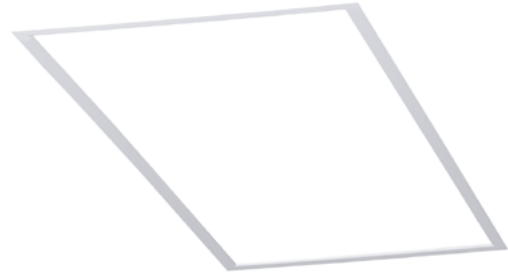
Scaler™ 2x4 Panel

2'X4' EDGE-LIT FLAT PANEL

DATE:	LOCATION:
TYPE:	PROJECT:
CATALOG #:	

FEATURES

- Edge-lit flat panel with options provides a wide variety of configurations to match any application
- Appropriate for offices, schools, medical, and public spaces
- Superior construction provides even light across the face of the fixture
- Standard and HE lumen packages available
- IC rated
- Suitable for ISO Class 5–9 positive pressure cleanrooms



CONTROLS TECHNOLOGY



SPECIFICATIONS

CONSTRUCTION

- Extruded aluminum frame has a matte white finish and clean frame-to-lens transition

OPTICS

- Acrylic blend light guide with frosted/ textured outer lens provides edge to edge illumination without pixelation or bright spots

INSTALLATION

- Integral T-bar clips for secure mounting to grid ceiling
- For surface/cable mount applications use surface/cable mount kit accessories
- For plaster or sheet rock installations, use flange kit

ELECTRICAL

- 54,000 hour LEDs at L70 for reduced maintenance

CONTROLS

- Optional SpectraSync™ offers a Tunable White solution and integrates seamlessly into a variety of control systems
- NX Lighting Controls provides options for wired or wireless connectivity for NX system deployments

CERTIFICATIONS

- All luminaires are built to UL 1598 standards and bear appropriate cULus labels
- CSA certified to UL 924 standards with battery pack
- Damp location label standard
- Tested in accordance with ISO 14644-1; suitable for ISO Class 5–9 positive and negative pressure clean rooms
- NX is available in U.S., Canada and Mexico. For other locations consult factory
- UL Sanitation certified to NSF standards

CERTIFICATIONS (CONTINUED)

- DLC® (DesignLights Consortium) Qualified, with some Premium Qualified configurations. Please refer to the DLC website for specific product qualifications at www.designlights.org
- The DTS, Dimming Bypass Module, is for emergency circuit control loads including sensors and wireless systems UL certified to UL 924. See page 8 for wiring diagram.
- Adheres to LM79, LM80, and TM21 industry standards for photometrics and lifetime calculations

WARRANTY

- 5 year warranty

KEY DATA	
Lumen Range	2566–8995
Wattage Range	19–85
Efficacy Range (LPW)	94–145
Reported Life (Hours)	L70/54,000

Scaler™ 2x4 Panel

2'X4' EDGE-LIT FLAT PANEL

DATE: _____ LOCATION: _____
 TYPE: _____ PROJECT: _____
 CATALOG #: _____

ORDERING GUIDE

Example: SRP24-35LWG-EDU-ELL14-NXE

CATALOG # _____

SRP24							G					
Model	CRI	Color Temp	Lumen Output			Ceiling			Driver			
SRP24 2' x 4' Scaler™ Panel Edge-Lit	Blank >80	30	3000K	XW	2566-2886	ML	4554-5123	G Grid	ED	0-10V Dimming		
		35	3500K	XWHE	2617-2774	MLHE	4861-5152		ED1	0-10V 1% Dimming		
		40	4000K	VW	3094-3480	HL	5246-5902		EDD	0-10V Dim-to-Dark		
		50	5000K	VWHE	3288-3485	HLHE	5639-5976		ESD	Step Dimming		
		3050T	3000-5000K	MW	3637-4091	VL	6812-7663		LUTH	Hi-lume 1% EcoSystem LED driver with Soft-on, Fade-to-Black dimming technology ^{2,3}		
				MWHE	3694-3914	VLHE	7075-7498		LUTT	T-Series 1% 2-Channel Tunable White driver ^{2,3,4}		
				LW	4206-4732	XL	7996-8995 ¹					
				LWHE	4272-4528	XLHE	8474-8981					
		See Product Availability Table (page 4)										

Voltage	Options	Control Options	Accessories
U 120V-277V 347 347V	<p>ELL14 Emergency Battery Pack Installed, 1400 Lumens^{3,5}</p> <p>ELL14ST Emergency Battery Pack Installed, 1400 Lumens w/ Self Test^{3,5}</p> <p>ELL14H2 Emergency Battery Pack, 2-Hour Run Time^{3,5,6}</p> <p>DTS Dimming Bypass Module^{3,5,7}</p> <p>CP Chicago Plenum</p> <p>GLR Fast Blow Fuse</p> <p>C3xx 3-wire Flex⁸</p> <p>C4xx 4-wire Flex⁸</p> <p>C5xx 5-wire Flex⁸</p>	<p>NX Networked – Wired</p> <p>NXE NX Dual RJ45 SmartPORTs, without Sensor^{3,8,9}</p> <p>NX Networked – Wireless</p> <p>NXW NX Networked Wireless Radio Module NXRM2 and Bluetooth Programming, without Sensor^{3,8,9}</p>	<p><input type="checkbox"/> FK24 2x4 Single Flange Kit (Shipped separately)</p> <p><input type="checkbox"/> PLRTS Remote Test Switch Module¹⁰</p> <p><input type="checkbox"/> SRPSMK-24 2x4 SRP Surface Mount Kit (HE lumen packages available on)¹¹</p> <p><input type="checkbox"/> CFPCM36Y SC5F-KIT 36" Cable Mount Kit for 1' or 2' wide Cable Mount fixtures, 5-wire</p>

- Notes:
- Not available with emergency battery pack or DTS
 - Limitations apply based on lumen packages (see Product Exceptions & Details)
 - Not available in 347V
 - For use only with Lutron T series controls
 - For compatibility with Dual-Lite Litegear inverters, contact lighting representative
 - Not available for use in Canada
 - For emergency circuit control loads including sensors and wireless systems UL certified to UL 924. See page 6 for wiring diagram
- NX In-Fixture Control Options:**
- For NX control and flex wire together consult factory
 - NX is not available with ESD, LUTH or LUTT driver options
- Accessory Notes:**
- Use with emergency battery pack
 - Surface mount kit can not be used with NXW options
- For questions about configuration options, contact lighting representative

PRODUCT EXCEPTIONS & DETAILS

Driver options listed below are available for the outputs as shown.

DRIVER AVAILABILITY TABLE																
	XW	XWHE	VW	VWHE	MW	MWHE	LW	LWHE	ML	MLHE	HL	HLHE	VL	VLHE	XL	XLHE
ED	X	X	X	X	X	X	X	X	X	X	X	X	X ¹²	X	X ¹²	X
ED1	X	X	X	X	X	X	X	X	X	X	X	X	X ¹²	X	X ¹²	X
EDD	X	X	X	X	X	X	X	X	X	X	X	X	X ¹²	X	X ¹²	X
ESD	X	X	X	X	X	X	X	X	X	X	X	X	X ¹²	X	X ¹²	X
LUTH	X	X	X	X	X	X	X	X	X	X	X	X				
LUTT	X	X	X	X	X	X	X	X	X	X	X	X				
347	X	X	X	X	X	X	X	X	X	X	X	X	X	X	X	X

¹² Not available with thru-wiring

Scaler™ 2x4 Panel

2'X4' EDGE-LIT FLAT PANEL

CONTROLS

NX Lighting Controls:

Supports both indoor and outdoor applications in a variety of deployment options- wired, wireless, hybrid. Integrates with and enables a wide array of luminaires including those with SpectraSync™ Color Tuning Technology.



NX INTEGRATED CONTROLS REFERENCE								
NX Option	Sensor	Networkable	Scheduling	Occupancy	Daylight Harvesting	0–10V Dimming	On/off Control	Bluetooth® App Programming
NX Networked – Wired								
NXE	N/A	Yes	Yes	No	No	Yes	Yes	Requires NXBTC dongle ¹
NX Networked – Wireless								
NXW	N/A	Yes	Yes	No	No	Yes	Yes	Yes

¹ NXBTC needs to be plugged into an available NX SmartPORT™ on the fixture network

SpectraSync™ Color Tuning Technology:

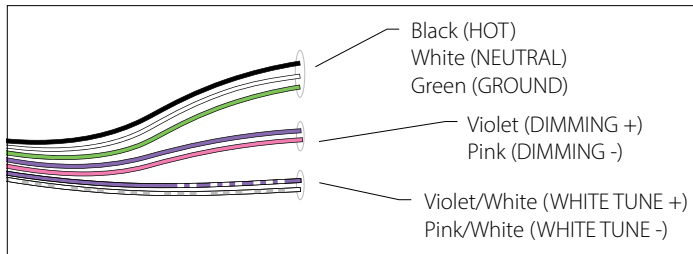
Control your space based on the needs of the application, specific activities throughout the day and preferences of the occupants with distinct SpectraSync™ Color Tuning Technologies.



SPECTRASYNCH COLOR TUNING TECHNOLOGY		
Mode	Kelvin Range	Description
Tunable White	3000K–5000K	Offers users the ability to tailor CCT to their personal preference, enhancing task visibility, material and colors or the aesthetics of the space

SpectraSync Tunable White

3050T (3000K–5000K). Requires two 0–10V controllers, one for intensity and one for CCT. Minimum 5% dimming.

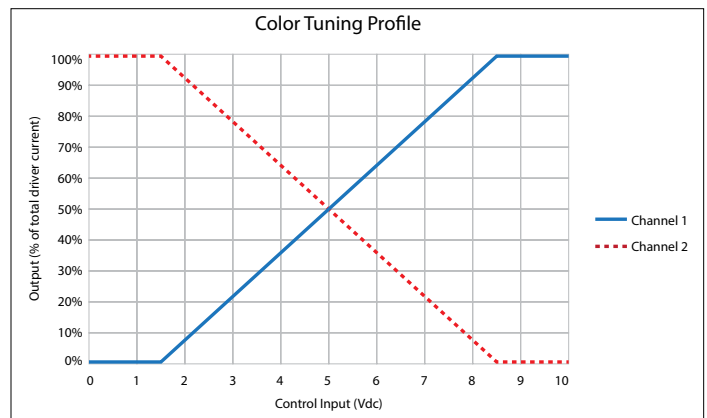


SpectraSync Tunable White luminaires are provided with two 0–10V circuits. The violet and pink circuit is for wiring to any qualified 0–10V controller for dimming. The violet/white and pink/white circuit is for wiring to any qualified 0–10V controller for Tunable White CCT control.

Controller Manufacturer Data

SpectraSync Tunable White was designed to be used with sinking style dimmers (provided by others) and is compatible with:

- NX Lighting Controls Room Controller (NXRC) and In-fixture Controllers (NXFM)
- Lutron: DDTV, DVSTV, and NFTV dimmers
- Wattstopper: ADF120277 and CD4BL (Titan) dimmers



To enable scheduling and for use with NX wall control preset stations please refer to NX SpectraSync technical sheet.

Scaler™ 2x4 Panel

2'X4' EDGE-LIT FLAT PANEL



DELIVERED LUMENS, SPECTRASync™

Lumen Output	Watts	3000		3500		4000		5000	
		Lumens	LPW	Lumens	LPW	Lumens	LPW	Lumens	LPW
XW	22	2566	114	2672	119	2779	124	2886	129
VW	27	3094	113	3222	118	3351	122	3480	127
MW	33	3637	109	3788	114	3940	119	4091	123
LW	39	4206	108	4381	113	4557	117	4732	122
ML	45	4554	100	4744	104	4934	109	5123	113
HL	54	5246	97	5465	101	5683	106	5902	110
VL	69	6812	99	7095	104	7379	108	7663	112
XL	85	7996	94	8329	98	8662	102	8995	106

DELIVERED LUMENS

Product Availability			
Lumen Package	Lumens	Input Watts	LPW
SRP24-30XW-EDU	2566	22	114
SRP24-30XWHE-EDU	2617	19	134
SRP24-35XW-EDU	2672	22	119
SRP24-35XWHE-EDU	2652	19	136
SRP24-40XW-EDU	2779	22	124
SRP24-40XWHE-EDU	2739	19	141
SRP24-50XW-EDU	2886	22	129
SRP24-50XWHE-EDU	2774	19	143
SRP24-30VW-EDU	3094	27	113
SRP24-30VWHEG-EDU	3288	25	134
SRP24-35VW-EDU	3222	27	118
SRP24-35VWHEG-EDU	3331	25	136
SRP24-40VW-EDU	3351	27	122
SRP24-40VWHEG-EDU	3441	25	140
SRP24-50VW-EDU	3480	27	127
SRP24-50VWHEG-EDU	3485	25	142
SRP24-30MW-EDU	3637	33	109
SRP24-30MWHEG-EDU	3694	27	136
SRP24-35MW-EDU	3788	33	114
SRP24-35MWHEG-EDU	3742	27	138
SRP24-40MW-EDU	3940	33	119
SRP24-40MWHEG-EDU	3866	27	143
SRP24-50MW-EDU	4091	33	123
SRP24-50MWHEG-EDU	3914	27	145
SRP24-30LW-EDU	4206	39	108
SRP24-30LWHEG-EDU	4272	31	136
SRP24-35LW-EDU	4381	39	113
SRP24-35LWHEG-EDU	4329	31	138
SRP24-40LW-EDU	4557	39	117
SRP24-40LWHEG-EDU	4471	31	142
SRP24-50LW-EDU	4732	39	122
SRP24-50LWHEG-EDU	4528	31	144

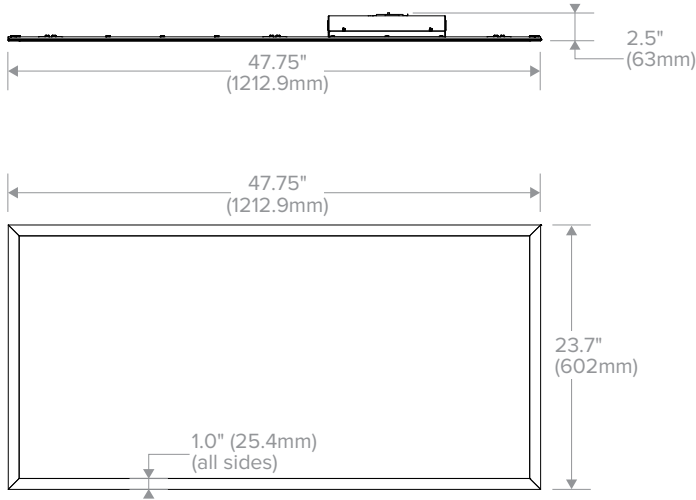
Product Availability (continued)			
Lumen Package	Lumens	Input Watts	LPW
SRP24-30ML-EDU	4554	45	100
SRP24-30MLHE-EDU	4861	36	135
SRP24-35ML-EDU	4744	45	104
SRP24-35MLHE-EDU	4926	36	136
SRP24-40ML-EDU	4934	45	109
SRP24-40MLHE-EDU	5088	36	141
SRP24-50ML-EDU	5123	45	113
SRP24-50MLHE-EDU	5152	36	143
SRP24-30HL-EDU	5246	54	97
SRP24-30HLHEG-EDU	5639	42	133
SRP24-35HL-EDU	5465	54	101
SRP24-35HLHEG-EDU	5713	42	135
SRP24-40HL-EDU	5683	54	106
SRP24-40HLHEG-EDU	5902	42	140
SRP24-50HL-EDU	5902	54	110
SRP24-50HLHEG-EDU	5976	42	141
SRP24-30VL-EDU	6812	69	99
SRP24-30VLHEG-EDU	7075	54	130
SRP24-35VL-EDU	7095	69	104
SRP24-35VLHEG-EDU	7168	54	132
SRP24-40VL-EDU	7379	69	108
SRP24-40VLHEG-EDU	7404	54	136
SRP24-50VL-EDU	7663	69	112
SRP24-50VLHEG-EDU	7498	54	138
SRP24-30XL-EDU	7996	85	94
SRP24-30XLHE-EDU	8474	66	128
SRP24-35XL-EDU	8329	85	98
SRP24-35XLHE-EDU	8586	66	129
SRP24-40XL-EDU	8662	85	102
SRP24-40XLHE-EDU	8869	66	133
SRP24-50XL-EDU	8995	85	106
SRP24-50XLHE-EDU	8981	66	135

Scaler™ 2x4 Panel

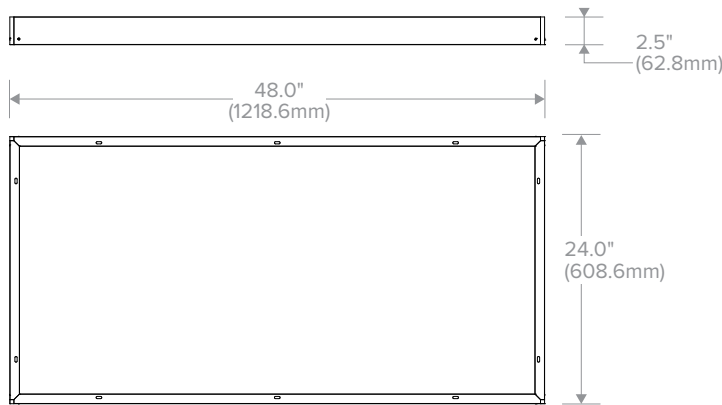
2'X4' EDGE-LIT FLAT PANEL

DIMENSIONS

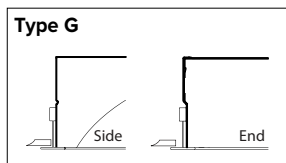
GRID



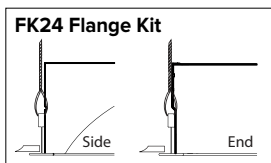
SURFACE MOUNT



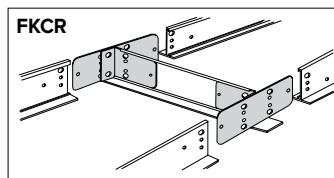
CEILING COMPATIBILITY



For lay-in installation in exposed grid ceilings. Maximum tee widths of 1" and maximum tee heights of 2" allowed.



For hard ceiling applications, order FK24 flange kit. Flange kit wires directly into concealed ceiling opening for a clean, finished appearance.



For flanged fixtures in row configurations, the FKCR adapter bracket kit is required in addition to the FK24 kit. Order one less FKCR than the total number of fixtures in row. (Example: Row of two, order (2) FK24 & (1) FKCR)

Row cut out dimensions using FK24s & FKCR adapters:
Width $24\frac{3}{8}$ ", Length $[48" \times (\# \text{ in row})] + \frac{3}{8}"$.
Example: $(48" \times 2) + \frac{3}{8}" = 96\frac{3}{8}"$

Flange kit cut out dimension for single unit only: $24\frac{3}{8}" \times 48\frac{3}{8}"$

Scaler™ 2x4 Panel

2'X4' EDGE-LIT FLAT PANEL

PHOTOMETRY

SRP24-35LW

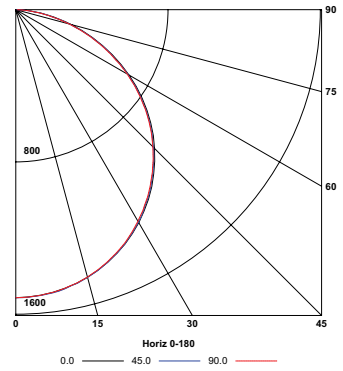
LUMINAIRE DATA

Test No.	19.01992
Description	2' x 4' LED SRP Scaler Panel
Delivered Lumens	4384
Watts	38.88
Efficacy	113
Mounting	Recessed
Spacing Criterion	0° = 1.26 90° = 1.26

ZONAL LUMEN SUMMARY

Zone	Lumens	% Luminaire
0-30	1179	26.9
0-40	1936	44.2
0-60	3441	78.5
0-90	4384	100.0
0-180	4384	100.0

POLAR GRAPH



SRP24-35ML

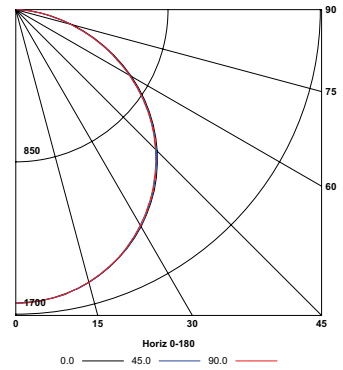
LUMINAIRE DATA

Test No.	19.02072
Description	2' x 4' LED SRP Scaler Panel
Delivered Lumens	4746
Watts	45.42
Efficacy	104
Mounting	Recessed
Spacing Criterion	0° = 1.26 90° = 1.26

ZONAL LUMEN SUMMARY

Zone	Lumens	% Luminaire
0-30	1277	26.9
0-40	2096	44.2
0-60	3726	78.5
0-90	4746	100.0
0-180	4746	100.0

POLAR GRAPH



SRP24-35HL

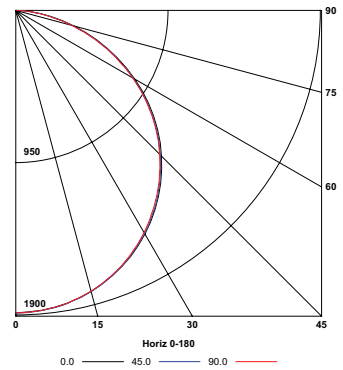
LUMINAIRE DATA

Test No.	19.02160
Description	2' x 4' LED SRP Scaler Panel
Delivered Lumens	5468
Watts	53.84
Efficacy	102
Mounting	Recessed
Spacing Criterion	0° = 1.26 90° = 1.26

ZONAL LUMEN SUMMARY

Zone	Lumens	% Luminaire
0-30	1471	26.9
0-40	2414	44.1
0-60	4291	78.5
0-90	5468	100.0
0-180	5468	100.0

POLAR GRAPH



ADDITIONAL INFORMATION

DTS WIRING DIAGRAM (0-10V DIMMING DRIVER SHOWN)

