

LTR-3RW-RH Open

LITEISTRY 3" ROUND REMODEL OPEN
WALL WASH (WW/DWW/CWW)

LITEISTRY™

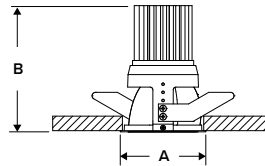
FEATURES

- 3" architectural LED remodel wall wash delivering 600–2000 lm
- Single, double and corner wall wash solutions
- Provides uniform vertical illumination as well as room side light
- Quiet reflector appearance with 50° optical cutoff
- 2700K–5000K, 80+ and 90+ CRI options
- For Remodel (non-IC) install from below applications
- Standard with 0-10V to 1% dimming



SERVICE PROGRAMS

STOCK



Typical Dimensions and Weights			
Lumen Package	"A" Diameter Inches (mm)	"B" Height Inches (mm)	Weight lbs (kg)
06L - 20L	3.7 (94)	5.4 (137)	3.5 (1.6)

See DIMENSIONS section for complete details

SPECIFICATIONS

CONSTRUCTION

- Die cast and spun aluminum construction with separate driver compartment and compact junction box
- Installs from below the ceiling after drywall with pre-installed retention springs; No plaster frame required
- Light Engine connections use plenum rated (CMP) cable

OPTICS

- Visually pleasing 50° cutoff to source and source image
- Open cone and kicker reflector assembly with an optical grade silicone lens integral to light engine
- Available in Single, Double, and Corner wall wash distributions
- Provides excellent uniformity down the wall while also contributing to room side lighting
- The light distribution is free of distracting bright spots or pixelation and the perimeter has a smooth transition
- High purity spun aluminum reflector, self-flanged

OPTICS (CONTINUED)

- Flush mount flange option with mud-in ring available
- Large selection of anodized finishes and colors
- Painted cones and flange options available

ELECTRICAL

- Chip-on-board (COB) LED with 2 SDCM
- Multiple CCTs, 80+ or 90+ CRI
- Long LED life: L90 at > 55,000 hours (TM-21)
- Universal voltage 120V–277V driver,
- UL Class 2, inherent short circuit and overload protection
- Flicker free 0-10V dimming with 1%

INSTALLATION

- Accommodates ceiling thickness up to 2" (WW/DWW); up to 1.25" (CWW)
- Remodel light engine/driver fully serviceable from above or below the ceiling

CERTIFICATIONS

- cCSAus certified to UL 1598
- Suitable for damp locations

CERTIFICATIONS (CONTINUED)

- Approved for 4 (2 in/2 out) No. 12 AWG conductors rated for 90° C
- For -BAA Option: This product meets federal procurement law requirements under the Buy American Act (FAR 52.225-9) [See Buy America\(n\) Solutions](#)
- For -TAA Option: Product configurations meet federal procurement law requirements under the Trade Agreements Act (FAR 52.225-11) [See Buy America\(n\) Solutions](#)

WARRANTY

- 5 year warranty

KEY DATA	
Lumen Range	600-2000
Wattage Range	8-25
Efficacy Range (LPW)	75*
Reported Life (Hours)	L90 / >55,000
Input Current (mA)	67–208 (120V)

*Based on Specular, 35K, 80 CRI

LTR-3RW-RH Open

LITEISTRY 3" ROUND REMODEL OPEN
WALL WASH (WW/DWW/CWW)

Gray Shading = Service Program **STOCK**

ORDERING GUIDE

Example: LTR-3RD-RH-SL10L-DM1-LTR-3RW-T-SL35K8WW-S

CATALOG # _____

HOUSING

LTR-3RD-RH		Lumen Package		Lumen Output		Driver Options		Voltage		Housing Options	
Aperture/Shape/Function		SL	Standard Lumen	06L	600	DM1	0-10V Dimming to 1%	Standard 120-277V		BAA	Buy American Act (FAR 52.225-9) Compliant
LTR-3RD-RH	3" Round Wall Wash Remodel Housing	SL	Standard Lumen	10L	1000	DALI	DALI Dimming to 1%	Standard 120-277V		TAA	Trade Agreements Act (FAR 52.225-11) Compliant
				15L	1500						
		ML	Medium Lumen	20L	2000						

TRIM

LTR-3RW-T		Lumen Package		CCT		CRI		Distribution	
Aperture/Shape/Function		SL	Standard Lumen	27K	2700K	8	80+CRI	WW	Single Wall Wash
LTR-3RW-T	3" Round Wall Wash Light Engine/Trim Assembly	ML	Medium Lumen	30K	3000K	9	90+CRI	DWW	Double Wall Wash
				35K	3500K			CWW	Corner Wall Wash
				40K	4000K				
				50K	5000K ¹				

TRIM CONTINUED

Reflector Finish		Reflector Color		Flange Color Options		Reflector Options	
<i>Finish not applicable with painted reflectors (WC or BC)</i>		Standard Clear		Standard matches reflector color		AM	Antimicrobial Coating ³
S	Specular	CG	Champagne Gold	WT	White Flange ²	BAA	Buy American Act (FAR 52.225-9) Compliant
SS	Semi-Specular	BL	Black	BT	Black Flange ²	TAA	Trade Agreements Act (FAR 52.225-11) Compliant
MFC	American Matte™	LW	Light Wheat				
VS	Softglow®	PW	Pewter				
VSS	SoftSheen™	WC	Painted White Cone and Flange				
		BC	Painted Black Cone and Flange				

Accessories

- FMR3-R** Flush Mount Mud-In Ring, 3" Round
- LiteGear** LiteGear® Inverter, 125VA-250VA
- LPS Series** LightPower Micro-Inverter, 20VA-55VA
- MOR3-R-WH** Metal Oversized Ring, 3" Round, White (6.75" outside diameter)
- MOR3-R-BL** Metal Oversized Ring, 3" Round, Black (6.75" outside diameter)

Notes:

- 1 5000K available in 80+ CRI only.
- 2 WT not needed for WC, BT not needed for BC.
- 3 AM available with WC or Specular Clear (S or SWT). Consult factory for other colors.

LTR-3RW-RH Open

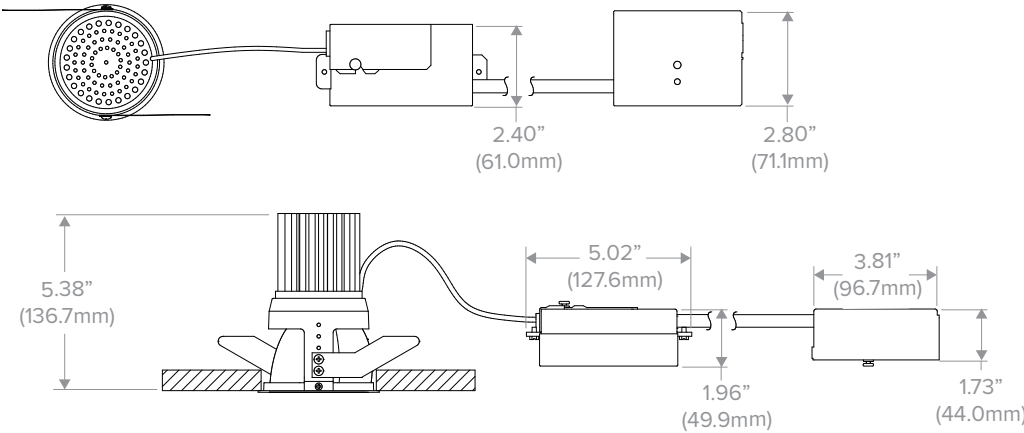
LITEISTRY 3" ROUND REMODEL OPEN
WALL WASH (WW/DWW/CWW)

PERFORMANCE DATA TABLE

Performance data provided below is for 3500K, 80 CRI with Specular Clear reflector finish/color

Lumen Package	Nominal Lumens	Distribution	Delivered Lumens	Watts	LPW
06L	600	Narrow	744	7.8	95
		Medium	641	7.8	82
		Wide	663	7.8	85
		Extra Wide	636	7.8	82
10L	1000	Narrow	1198	11.9	101
		Medium	1032	11.9	87
		Wide	1067	11.9	90
		Extra Wide	1024	11.9	86
15L	1500	Narrow	1733	18.6	93
		Medium	1493	18.6	80
		Wide	1544	18.6	83
		Extra Wide	1482	18.6	80
20L	2000	Narrow	2103	25.1	84
		Medium	1952	25.1	78
		Wide	1985	25.1	79
		Extra Wide	1945	25.1	77

DIMENSIONS



Dimensional Data		
Aperture		2.88" (73.2mm)
Flange: Standard & Flush Mount		3.68" (93.5mm)
Ceiling Cutout:	Standard	3.38" (85.9mm)
	Flush Mount	4.00" (101.6mm)
Ceiling Thickness:	WW/DWW	0.50" to 12.00" (12.7mm to 50.8mm)
	CWW	0.50" to 1.25" (12.7mm to 31.8mm)

LTR-3RW-RH

LTR-3RW-RH Open

LITEISTRY 3" ROUND REMODEL OPEN
WALL WASH (WW/DWW/CWW)

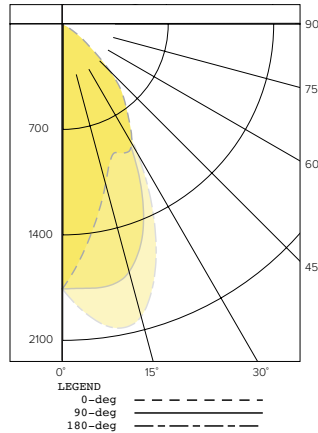
PHOTOMETRY

LTR-3RD-RH-ML20L-DM1 / LTR-3RW-T-ML35K8WW-S

LUMINAIRE DATA

Test No.	R19.01136-C01
Description	Single Wall Wash, 2000 lm, 3500K, 80 CRI
Delivered Lumens	1824
Watts	24.3W
Efficacy	75.1
Mounting	Recessed

POLAR GRAPH



CANDELA DISTRIBUTION

Degree	Candela
0	1761
5	1537
15	1107
25	944
35	776
45	479
55	163
65	49
75	19
85	4
90	0

LUMINANCE DATA*

Vertical Angle	Average
45°	158963
55°	66687
65°	27208
75°	17227
85°	10770

*Candela/Square Meter

ZONAL LUMEN SUMMARY

Zone	Lumens	% Luminaire
0-40	1565	85.8
0-60	1792	98.3
0-90	1824	100
0-180	1824	100

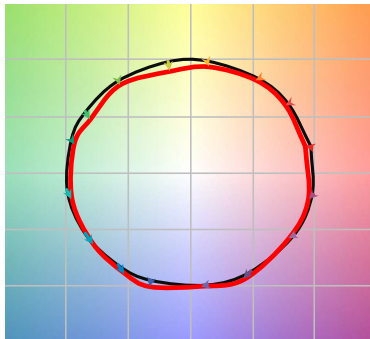
LUMEN MULTIPLIER

Option	27K8	30K8	35K8	40K8	50K8	27K9	30K9	35K9	40K9
Multiplier	0.94	0.98	1.00	1.01	1.02	0.81	0.84	0.85	0.85

Photometrics are published below at a nominal 3500 Kelvin, 80+ CRI. This table may be used to approximate the lumen values at different Kelvin temperatures. Power consumption would stay the same.

TM-30 DATA

COLOR VECTOR GRAPHIC 3500K, 90 CRI



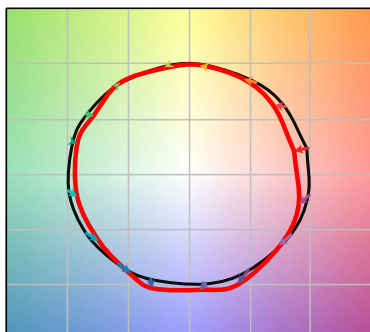
— Reference Illuminant — Test Source

COLOR DISTORTION GRAPHIC 3500K, 90 CRI



TEST RESULTS - 3500K		
Value	80+ CRI	90+ CRI
R _i	84	88
R _g	95	95
CCT (K)	3411	3419
D _{uv}	0.0015	0.0042
x	0.4120	0.4147
y	0.3974	0.4052
CIE R _a	84	93
CIE R _g	11	62

COLOR VECTOR GRAPHIC 3500K, 80 CRI



— Reference Illuminant — Test Source

COLOR DISTORTION GRAPHIC 3500K, 80 CRI



LTR-3RW-RH Open

LITEISTRY 3" ROUND REMODEL OPEN

WALL WASH (WW/DWW/CWW)

ELECTRICAL DATA

DRIVER DATA	
Input Voltage	120-277 V
Input Frequency	50/60 Hz
Power Factor	≥0.90
THD	<20%
EMI Filtering (FCC 47 CFR Part 15)	Class A

ADDITIONAL INFORMATION

Dimming Compatibility

For more details and recommended dimmer list, see Dimming Compatibility Information on currentlighting.com/prescolite.

Central Inverters

For full fixture output in back-up mode, we recommend you visit currentlighting.com/dual-lite for your Central Lighting Inverter options. Please contact your local Current representative for any assistance with proper sizing and loading of your inverter selection. Central lighting inverters must be ordered separately.